



- Surface Mounting
- Accepts Standard Jacks, Fiber and AV Connections
- ADA Compliant
- RoHS Compliant

FEATURES

- Low-profile design
- Accepts Hubbell HJ and HXJ jacks and audio/video keystone connectors
- Available in five color options
- ADA compliant
- Ability to mount to multiple surfaces:
 - Standard electrical boxes
 - Hubbell Raceway
 - RE-BOX®
 - CP enclosure
 - Rack rail
 - Desktops, walls, and modular furniture

SPECIFICATIONS

- Provided with double-sided tape and mounting screws for easy installation
- Constructed with a high impact resistant, flame retardant polymer
- Base includes tie wrap anchors at rear cable entry point for 4" cable ties (included)
- Surface box cover features easy-to-remove knockouts to accommodate Hubbell Raceway

POLYTRAK® Raceway Compatibility Chart

Series	PP	PB
ISB1	▲	▲*
ISB2	▲	▲*

*Use PB3REDA transition fitting.

STANDARDS

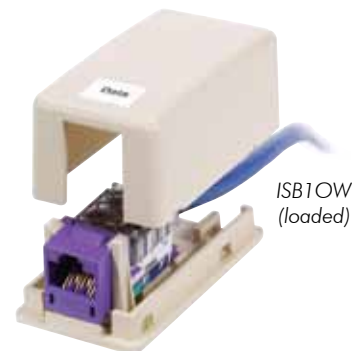
- UL and cUL listed
- ANSI/TIA/EIA-606A compliant


HUBBELL iSTATION
Surface Mount Boxes, 1- and 2-Port


ISB2OW
(loaded)

Safety
Tamper resistant screw located behind the faceplate label field

Flexibility
Easy cover latches allow for simple moves, adds and changes



ISB1OW
(loaded)

Installation Ease
Bases include tie-wrap anchor points at all cable entrances

Hubbell's Surface Mount Boxes are designed to facilitate today's most demanding workstation outlet needs. The ISB1 and ISB2 are single and 2-port versions allowing for a wide variety of Hubbell data, audio/video and fiber connectivity.

The surface mount boxes are ideal for open office, compact surface mount environments, and retrofits to support data, voice, and multimedia applications. All surface mount boxes can be mounted with supplied surface mounting screws or double-sided adhesive tape.

APPLICATIONS

- Open office environments
- Compact surface mount environments
- Retrofits to support data, voice, and multimedia applications

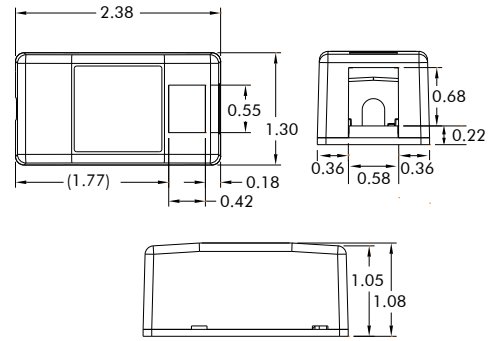
ORDERING INFORMATION

ISB Surface Mount Boxes, 1- and 2-port		
Color	1-Port	2-Port
Almond	ISB1AL	ISB2AL
Black	ISB1BK	ISB2BK
Electric Ivory	ISB1EI	ISB2EI
Gray	ISB1GY	ISB2GY
Office White	ISB1OW	ISB2OW
White	ISB1W	ISB2W

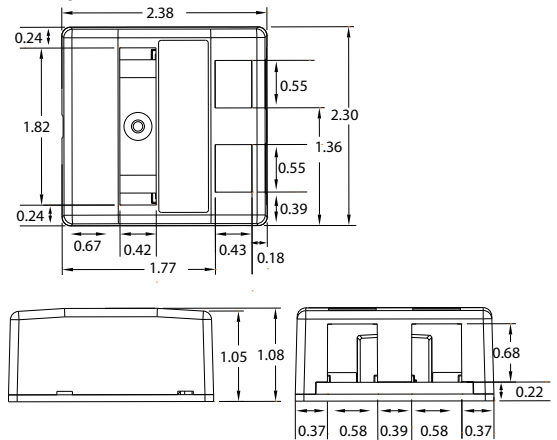


DIMENSIONS

1-Port



2-Port



RELATED PRODUCT

**HJ and HXJ Jacks
Category 6, 6A and 5e**



UOM	Category 5e	Category 6	Category 6A
1 per bag/carton of 25	HXJ5Exx*	HXJ6xx*	HJ6Axx**
25 per bag/carton of 1	HXJ5Exx25	HXJ6xx25	HJ6Axx25**

xx = Color: **AL** (Almond), **BK** (Black), **B** (Blue), **BN** (Brown), **EI** (Electric Ivory), **GL** (Gold), **GY** (Gray), **GN** (Green), **LA** (Light Almond), **OW** (Office White), **OR** (Orange), **P** (Purple), **R** (Red), **TI** (Telco Ivory), **W** (White) and **Y** (Yellow).

Light Almond is the same color as Office White.

*Brown, Gold and Purple available as 25-pack only.

**Not available in Telco Ivory.

**Patch Cords
Category 6, 6A and 5e**



UOM	Category 5e	Category 6	Category 6A
1 patch cord	HC5Exxyy	HC6xxyy	HC6Axxyy

xx = Color: **BK** (Black), **B** (Blue), **GY** (Gray), **GN** (Green), **OR** (Orange), **P** (Purple), **R** (Red), **W** (White) and **Y** (Yellow). See color chart in technical section.

yy = Standard Length: **01** (1'), **03** (3'), **05** (5'), **07** (7'), **10** (10'), **15** (15'), **20** (20').

MTO lengths: **25'**, **30'**, **35'**, **40'**, **45'**, **50'**, **55'**, **60'**, **75'**, **80'**, **85'**, **90'**, **95'**, and **100'**.

VELCRO® is a registered trademarks of Velcro Industries B.V.