

LNC2 SERIES

Cat.#

Job

Type



HUBBELL
Outdoor Lighting

Approvals

SPECIFICATIONS

Intended Use:

The compact LED LNC2 is designed for perimeter illumination for safety, security and identity. This compact fixture has no uplight and is neighbor friendly with typical mounting heights up to 15ft. Units are supplied with an acrylic diffuser accessory that can be used for lower LED brightness near building entrances or other pedestrian areas. Units have protective polyester finish for long lasting appearance.

Construction:

Decorative die-cast aluminum housing protects components and provides an architectural appearance. Casting thermally conducts LED heat to optimize performance and long life. Powder paint finish provides durability in outdoor environments.

Electrical:

- 120V-277V universal voltage 50/60Hz 0-10V dimming drivers
- 347V and 480V dimmable driver option in 12L configuration
- Electronic drivers: One in 7L, 9L and 12L units
Two drivers in 18L units
- Minimum operating temperature is -40°C/-40°F
- Driver RoHS and IP66
- Drivers have greater than .90 power factor and less than 20% Total Harmonic Distortion

LED(s) CCT:

- 3000K CCT nominal – 80 CRI, 4000K CCT nominal – 70 CRI, 5000K CCT nominal – 67 CRI
- 7 LEDs, 18 input watts, deliver 1389 lumens with 80 LPW efficiency at 5000K CCT
- 9 LEDs, 22 input watts, deliver 1745 lumens with 85 LPW efficiency at 5000K CCT
- 12 LEDs, 29 input watts, deliver 2420 lumens with 85 LPW efficiency at 5000K CCT
- 18 LEDs, 45 input watts, deliver 3311 lumens at 78 LPW efficiency at 5000K CCT

Optical:

Type II, III and IV distributions with zero uplight; Individual PMMA acrylic lenses for wide lateral throw, maximum control and efficiency; Acrylic diffuser included where reduced LED brightness is desired

Lumen Maintenance:

L96 at 60,000hrs (Projected per IESNA TM-21-11), see table on page 2 for all values

Installation:

Quick-mount adapter provides easy installation to wall or to recessed junction boxes (4" square junction box). Gasket seal and secured by two Allen-head hidden fasteners for tamper resistance. Designed for direct j-box mount or conduit feed in single SKU. Conduit feed not available with BBU.

Options:

Controls:

- Button photocontrol for dusk to dawn energy savings
- Occupancy sensor options available for complete on/off and dimming control (includes factory installed back box)

Egress:

- Battery back-up option - 12L configuration only – provides 1 fc average over 16' L x 48' W or 1 fc minimum at 11' mounting height (-20°C to 30°C) (see page 3); (includes factory installed back box)

Listings:

- DLC Qualified (Types III and M) Consult DLC website for more details:
<http://www.designlights.org/QPL>
- Listed to UL 1598 for use in wet locations, 40° C ambient environments

Warranty:

Five year limited warranty (for more information visit: <http://www.hubbelloutdoor.com/resources/warranty/>)

- IES Progress Award Winner - 2013
- Building Operating Management 2014 Top Products Award - LNC2-18LU

PRODUCT IMAGE(S)



LNC2-12LU



LNC2-18LU

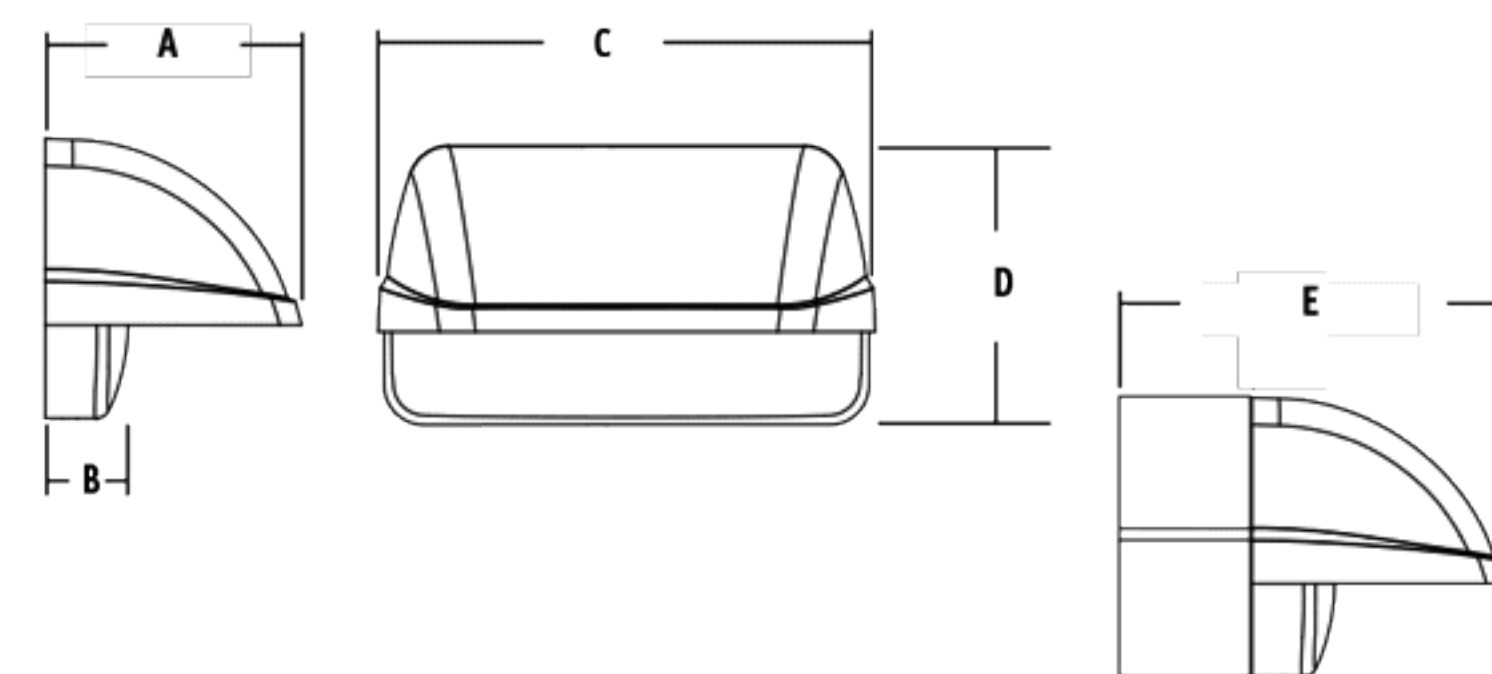


With diffuser



Battery Back-up or Sensor - See Page 2,3

DIMENSIONS



With Battery Back-up or sensors

A	B	C	D	E	Weight / BBU
6.25"	1.6"	10.25"	5.6"	10.25"	7.0 / 15.0 lbs.
158.7 mm	40.2 mm	260.4 mm	142.2 mm	260.4 mm	3.2 / 6.8 kg

SHIPPING INFORMATION

Catalog Number	G.W(kg)/CTN	Carton Dimensions			Carton Qty. per Master Pack
		Length Inch (cm)	Width Inch (cm)	Height Inch (cm)	
LNC2-12LU	14.3 (6.5)	14.5 (37)	11.4 (29)	8.4 (21.5)	2
LNC2-18LU	14.8 (6.7)	14.9 (38)	11.4 (29)	8.4 (21.5)	2

CERTIFICATIONS/LISTINGS



ORDERING INFORMATION – ORDERING EXAMPLE: LNC2-12LU-5K-3-1

SERIES	NUMBER OF LEDS/SOURCE/VOLTAGE	CCT	IES DISTRIBUTION	FINISH	OPTIONS
LNC2 Laredo LNC2	7LU 7 LEDs, 18w input, Universal voltage 120-277V 9LU 9 LEDs, 22w input, Universal voltage 120-277V 12LU⁴ 12 LEDs, 29w input, Universal voltage 120-277V 18LU 18 LEDs, 45w input, Universal voltage 120-277V 12L5 12 LEDs, 29w input, 480V 12L6 12 LEDs, 29w input, 347V	3K³ 3000K nominal 80 CRI 4K 4000K nominal 70 CRI 5K 5000K nominal 67 CRI AM¹ Amber (590 μm available for "Turtle Friendly"/observatory applications, 350 mA (consult factory)	2³ Type II 3 Type III 4 Type IV	1 Bronze 2 Black 3 Gray 4 White 5 Platinum	PC¹ Photocontrol (Must specify individual voltage) BBU^{2,7} Integral battery for 12L only (must specify 120V or 277V voltage in voltage category) rated for -20°C to 30°C SCO^{5,6,7} Motion sensor On/Off control, No light output when no motion detected SCP^{5,6,7} Programmable motion control, factory default is 10% light output

¹ Amber LEDs only available on 18LU configurations, 350mA only; Universal Voltage 120V-277V
² Battery backup only available on 12L models, not available for Canada
³ Does not qualify for DLC
⁴ Replace U with 1 for 120V or 4 for 277V for 12L with BBU
⁵ Must order minimum of one remote control to program dimming settings, 0-10V fully adjustable dimming with automatic daylight calibration and different time delay settings, 120V or 277V only
⁶ PC option not applicable, included in sensor
⁷ BBU and motion sensor options cannot be combined

Controls Guide



Hubbell Outdoor Lighting • 701 Millennium Boulevard • Greenville, SC 29607 • Phone: 864-678-1000

Due to our continued efforts to improve our products, product specifications are subject to change without notice.

© 2014 HUBBELL OUTDOOR LIGHTING, All Rights Reserved • For more information visit our website: www.hubbelloutdoor.com • Printed in USA

LAREDO LNC2-SPEC 12/14