



- Verified Category 5e Component Exceeds TIA Limits
- Plug Optimized for High Density Switch Port Count
- Gigabit Assurance
- PoE Ready

FEATURES

- Extended strain relief for added protection in high density applications
- Customized patch cable designed for optimized IL and NEXT
- Flexible cable for trouble-free cable management
- Backwards compatible to Category 5 & 3

SPECIFICATIONS

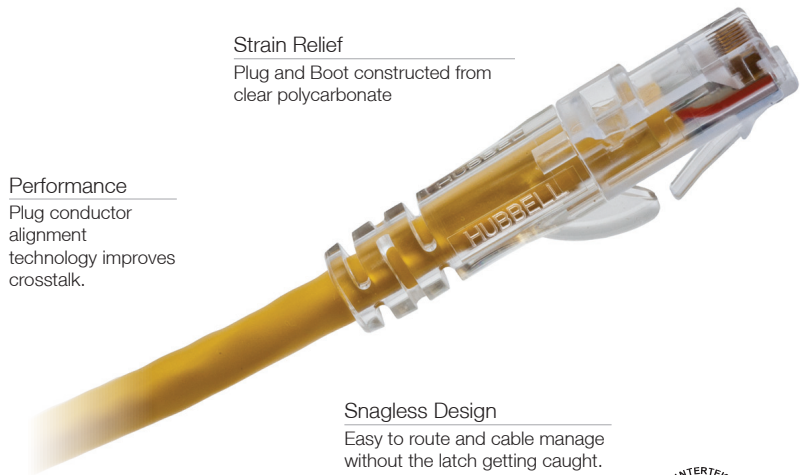
- Cable Construction:
 - Conductor: 24AWG UTP
 - OD: 0.215
 - Jacket: Flame-Retardant PVC – CM Rated
- Plug Material:
 - Plug body: Polycarbonate UL 94V-0
 - Plug boot: Polycarbonate UL 94V-0
 - Contact: High strength copper alloy
 - Plating: 50 micro-inch Gold with 100 micro-inch under plating
- Mechanical:
 - Cable to plug tensile strength: 20+ lbs
 - Mating cycles: 2000+

STANDARDS

- TIA-568-C.2 Category 5e component
- Channel: Third-Party tested for TIA 568-C.2
- Category 5e and ISO 11801 Class D
- PoE+ IEEE 802.3at
- UL Listed 1863

HUBBELL
SpeedGain

**CATEGORY 5e
Patch Cords**



Strain Relief
Plug and Boot constructed from clear polycarbonate

Performance
Plug conductor alignment technology improves crosstalk.

Snagless Design
Easy to route and cable manage without the latch getting caught.



Hubbell Category 5e solution is a tuned system of structured cabling components designed and balanced to work together to deliver bandwidth beyond 200MHz.

HC5E's enhanced custom cable and plug design, provides superior NEXT and Return Loss parameters supporting Gigabit Ethernet with Zero Bit Error transmission.

Don't jeopardize your network, Hubbell's Category 5e solution provides a solid foundation for common network applications and protocols.

APPLICATIONS

- 1000BASE-T Gigabit Ethernet
- 10/100BASE-T Ethernet
- ATM 155Mb/s
- Voice Protocol – VoIP
- Video Protocol – IPTV



ORDERING INFORMATION

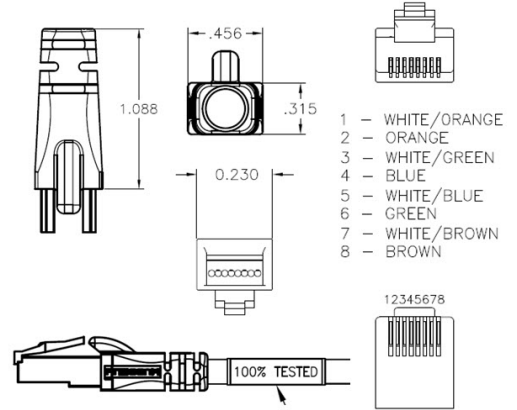
SPEEDGAIN® Category 5e Patch Cords

Length	Catalog No	Length	Catalog No
1'	HC5Exx01	10'	HC5Exx10
3'	HC5Exx03	15'	HC5Exx15
5'	HC5Exx05	20'	HC5Exx20
7'	HC5Exx07		

xx = color. **B** (Blue), **BK** (Black), **GN** (Green), **GY** (Gray), **OR** (Orange), **P** (Purple), **R** (Red), **W** (White) or **Y** (Yellow) .
MTO lengths are available from 25 ft. to 100 ft. in 5 ft. increments.



DIMENSIONS



RELATED PRODUCT

SPEEDGAIN® Category 5e Component Jack

Delivery:	Catalog No
1 per bag/carton of 25	HXJ5Exx
25 per bag/carton of 1	HXJ5Exx25

xx = color. **AL** (Almond), **BK** (Black), **B** (Blue), **BN** (Brown), **EI** (Electric Ivory), **GL** (Gold), **GY** (Gray), **GN** (Green), **LA** (Light Almond), **OW** (Office White), **OR** (Orange), **P** (Purple), **R** (Red), **TI** (Telco Ivory), **W** (White) or **Y** (Yellow).



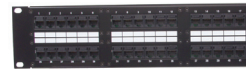
SPEEDGAIN® Category 5e, Universal Patch Panels

Format	Width	Height	Depth	Catalog No.
Standard	19" (483)	1.75" (45)	1.2" (31)	PG24
Standard	19" (483)	3.50" (89)	1.2" (31)	PG48



SPEEDGAIN® Category 5e, Universal Patch Panels

Format	Width	Color	Catalog No.
Standard	19" (483)	Black	P5ExxU
Standard	19" (483)	White	P5ExxUEW
Angled	19" (483)	Black	P5ExxAU

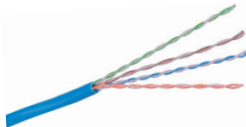


xx= port size. **24** (24 ports) and **48** (48 ports).

SPEEDGAIN® Category 5e, UTP Cable, 4-Pair

REELEX Spool (1000' length)		
Color	Riser	Plenum
Blue	C5EPRRB	C5EPRPB
Gray	C5EPRRGY	C5EPRPGY
White	C5EPRRW	C5EPRPW
Yellow	C5EPRRY	C5EPRPY

See full line catalog for all available colors.



SPEEDGAIN® Category 5e, Trunk Cable Assemblies

BlDnet™ offer a "Green" approach to cabling by providing the exact lengths and number of connections needed eliminating unwanted cable waste.

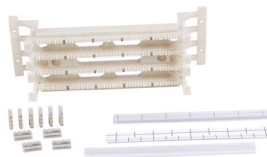
- Simplifies installation time by 75%
- Reduced initial installation cost by 30%
- 100% factory tested and assembled and backed with MC25 warranty

Note: Contact your local distributor today or call our offices for additional information on the availability of the BlDnet™ Pre-Terminated Copper Trunk Assemblies.



SPEEDGAIN® Category 5e, Field Termination Kits

Description	Catalog No.
50-pair termination kit with 4-pair connecting blocks	110BLK50FTK4
100-pair termination kit with 4-pair connecting blocks	110BLK100FTK4
300-pair termination kit with 4-pair connecting blocks	110BLK300FTK4



INTEGRATED SOLUTIONS



Station & Cross-Connect Solutions

- Work Station Products
- Cross Connect Products
- Delivery Products
- Datacenter Products
- Next Frame Cable Management
- Velcro® Cable Management



Hubbell's HC patch cords have been designed to provide flexibility in racks and cabinets with a high density profile design and custom cable. The HC design aids cable management in the datacenter and telecommunications rooms.

