

HINGE-COVER WITH 3-POINT LATCH OR QUICK-RELEASE LATCHES, TYPE 4X

INDUSTRY STANDARDS

UL 508A Listed; Type 3, 3R, 4, 4X, 12, 13; File No. E61997
 cUL Listed per CSA C22.2 No 94; Type 3, 3R, 4, 4X, 12, 13; File No. E61997
 Enclosure flammability evaluated per UL 508A

NEMA/EEMAC Type 3, 3R, 4, 4X, 12, 13
 IEC 60529, IP66
 Meets NEMA Type 3RX requirements

APPLICATION

A full range of modification options are available for wall-mount fiberglass enclosures, including variable depths to accommodate larger controls. These enclosures feature stainless steel padlocking hasps or Hoffman's exclusive POWERGLIDE™ Handle with 3-point latching for ease of access with increased security.

SPECIFICATIONS

- Fiberglass-reinforced material has excellent temperature and chemical resistance qualities and exhibits outstanding physical properties
- Type 316L stainless steel padlocking POWERGLIDE Handle on 3-point latch versions assures security and a water-tight seal while still allowing convenient access
- Quick-release latch versions feature fiberglass-reinforced polyester latches with integral Type 316L stainless steel padlocking hasp
- Seams are sealed; no holes or knockouts

- Seamless foam-in-place gasket assures water-tight and dust-tight seal
- Fiberglass material is easily punched, drilled, filed or sawed
- Data pocket is high-impact thermoplastic
- Copper-flashed steel collar studs for mounting optional panels and terminal block kits

FINISH

Fiberglass enclosure is gray inside and out. Handle is Type 316L stainless steel electropolished. Optional steel panels are painted white. Optional stainless steel, aluminum and composite panels available in select sizes.

ACCESSORIES

See also *Accessories*
 H2OMIT™ Thermoelectric Dehumidifier
 H2OMIT™ Vent Drains, Type 4X
 HOL-SEALERS™ Non-Metallic Hole Seals
 Panels
 Stainless Steel Window Kits
 Terminal Block Kit Assembly
 Thermal Accessories

MODIFICATION AND CUSTOMIZATION

Hoffman excels at modifying and customizing products to your specifications. Contact your local Hoffman sales office or distributor for complete information.

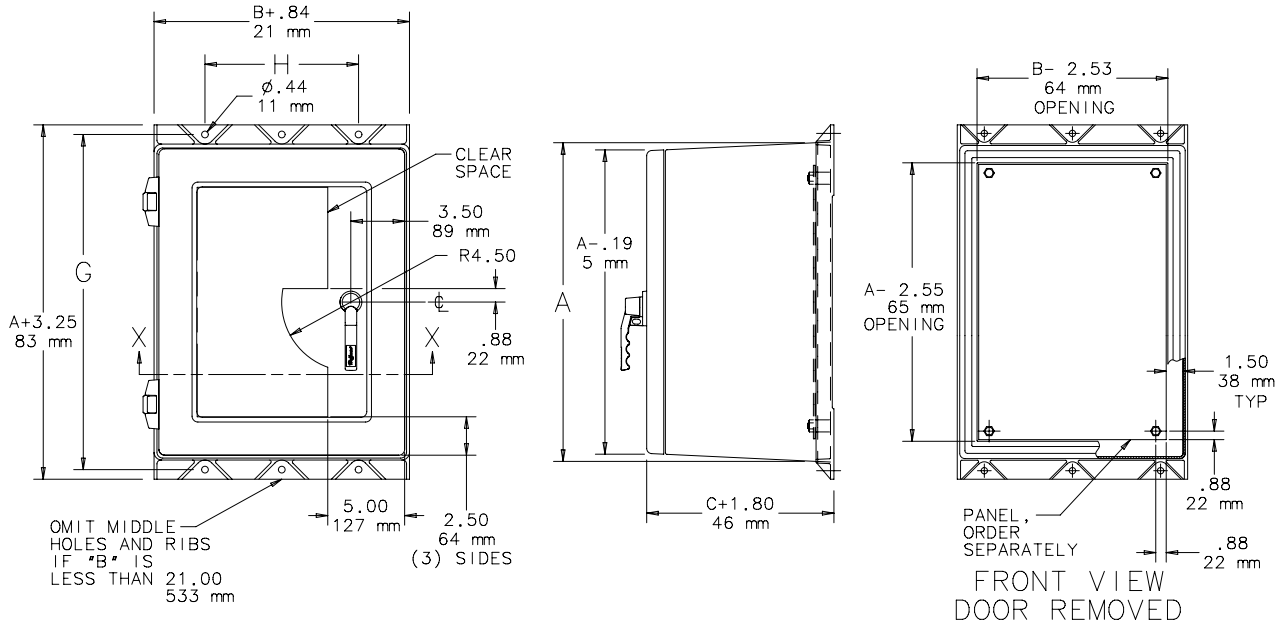
BULLETIN: A17W3, A17WM

Standard Product **3-Point Latch**

| Catalog Number | AxBxC in./mm | Panel | Conductive Panel | Panel Size Height in./mm | G x H in./mm |
|------------------|--|--------|------------------|----------------------------|----------------------------|
| A24H2006GQRLP3PT | 24.25 x 20.25 x 6.00 616 x 514 x 203 | A24P20 | A24P20G | 21.00 x 17.00 533 x 432 | 25.86 x 14.00 657 x 356 |
| A20H2008GQRLP3PT | 20.19 x 20.25 x 8.00 513 x 514 x 203 | A20P20 | A20P20G | 17.00 x 17.00 432 x 432 | 21.81 x 14.00 554 x 356 |
| A24H2008GQRLP3PT | 24.25 x 20.25 x 8.00 616 x 514 x 203 | A24P20 | A24P20G | 21.00 x 17.00 533 x 432 | 25.86 x 14.00 657 x 356 |
| A24H2408GQRLP3PT | 24.19 x 24.19 x 8.00 614 x 614 x 203 | A24P24 | A24P24 | 21.00 x 21.00 533 x 533 | 25.81 x 18.00 656 x 457 |
| A30H2408GQRLP3PT | 30.25 x 24.25 x 8.00 768 x 616 x 203 | A30P24 | A30P24G | 27.00 x 21.00 686 x 533 | 31.95 x 18.00 812 x 457 |
| A36H3008GQRLP3PT | 36.25 x 30.25 x 8.00 921 x 768 x 203 | A36P30 | A36P30G | 33.00 x 27.00 838 x 686 | 37.58 x 24.00 955 x 610 |
| A24H2010GQRLP3PT | 24.25 x 20.25 x 10.00 616 x 514 x 254 | A24P20 | A24P20G | 21.00 x 17.00 533 x 432 | 25.86 x 14.00 657 x 356 |
| A30H2410GQRLP3PT | 30.25 x 24.25 x 10.00 768 x 616 x 254 | A30P24 | A30P24G | 27.00 x 21.00 686 x 533 | 31.95 x 18.00 812 x 457 |
| A24H2412GQRLP3PT | 24.19 x 24.19 x 12.00 614 x 614 x 305 | A24P24 | A24P24G | 21.00 x 21.00 533 x 533 | 25.81 x 18.00 656 x 457 |
| A30H2412GQRLP3PT | 30.25 x 24.25 x 12.00 768 x 616 x 305 | A30P24 | A30P24G | 27.00 x 21.00 686 x 533 | 31.95 x 18.00 812 x 457 |
| A36H3012GQRLP3PT | 36.25 x 30.25 x 12.00 921 x 768 x 305 | A36P30 | A36P30G | 33.00 x 27.00 838 x 686 | 37.58 x 24.00 955 x 610 |

Purchase panels separately. Optional stainless steel, composite and aluminum panels available for most sizes. See General Accessories.

Hinged with 3-Point Latch Enclosures

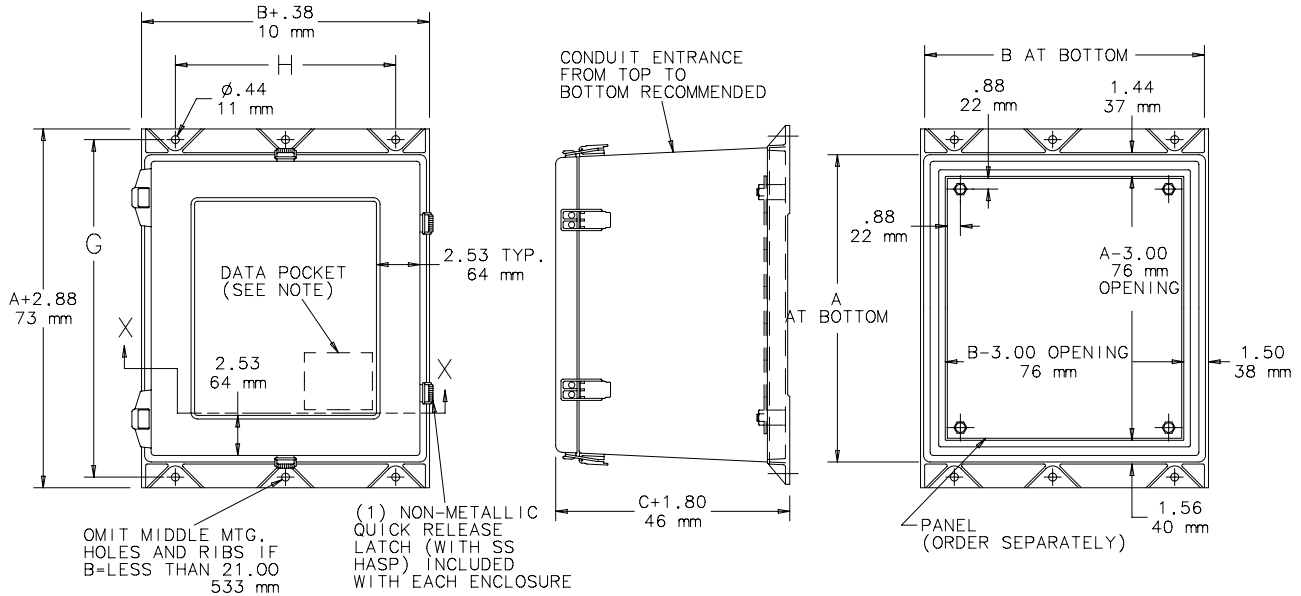


Standard Product Quick-Release Latch

| Catalog Number | AxBxC in./mm | Panel | Cond. Panel | Panel Size in./mm | Mtg G x H in./mm | No. of Latches | Add'l "C" Dim's in./mm | Add'l "C" Dim's in./mm | Add'l "C" Dim's in./mm |
|----------------|---|--------|-------------|-----------------------------|-----------------------------|----------------|------------------------|------------------------|------------------------|
| A20H1606GQRLP | 20.19 x 16.25 x 6.00 513 x 413 x 152 | A20P16 | A20P16G | 17.00 x 13.00 432 x 330 | 21.81 x 10.00 554 x 254 | 4 | — | — | — |
| A20H2006GQRLP | 20.19 x 20.25 x 6.00 513 x 514 x 152 | A20P20 | A20P20G | 17.00 x 17.00 432 x 432 | 21.81 x 14.00 554 x 356 | 4 | — | — | — |
| A24H2006GQRLP | 24.25 x 20.25 x 6.00 616 x 514 x 152 | A24P20 | A24P20G | 21.00 x 17.00 533 x 432 | 25.86 x 14.00 657 x 356 | 4 | — | — | — |
| A30H2406GQRLP | 30.25 x 24.25 x 6.00 768 x 616 x 152 | A30P24 | A30P24G | 27.00 x 21.00 686 x 533 | 31.95 x 18.00 812 x 457 | 5 | — | — | — |
| A20H1608GQRLP | 20.19 x 16.25 x 8.00 513 x 413 x 203 | A20P16 | A20P16G | 17.00 x 13.00 432 x 330 | 21.81 x 10.00 554 x 254 | 4 | — | — | — |
| A20H2008GQRLP | 20.19 x 20.25 x 8.00 513 x 514 x 203 | A20P20 | A20P20G | 17.00 x 17.00 432 x 432 | 21.81 x 14.00 554 x 356 | 4 | — | — | — |
| A24H2008GQRLP | 24.25 x 20.25 x 8.00 616 x 514 x 203 | A24P20 | A24P20G | 21.00 x 17.00 533 x 432 | 25.86 x 14.00 657 x 356 | 4 | — | — | — |
| A24H2408GQRLP | 24.19 x 24.19 x 8.00 614 x 614 x 203 | A24P24 | A24P24G | 21.00 x 21.00 533 x 533 | 25.81 x 18.00 656 x 457 | 4 | — | — | — |
| A30H2408GQRLP | 30.25 x 24.25 x 8.00 768 x 616 x 203 | A30P24 | A30P24G | 27.00 x 21.00 686 x 533 | 31.95 x 18.00 812 x 457 | 5 | — | — | — |
| A36H3008GQRLP | 36.25 x 30.25 x 8.00 921 x 768 x 203 | A36P30 | A36P30G | 33.00 x 27.00 838 x 686 | 37.58 x 24.00 955 x 610 | 5 | — | — | — |
| A20H1610GQRLP | 20.19 x 16.25 x 10.00 513 x 413 x 254 | A20P16 | A20P16G | 17.00 x 13.00 432 x 330 | 21.81 x 10.00 554 x 254 | 4 | — | — | — |
| A20H2010GQRLP | 20.19 x 20.25 x 10.00 513 x 514 x 254 | A20P20 | A20P20G | 17.00 x 17.00 432 x 432 | 21.81 x 14.00 554 x 356 | 4 | — | — | — |
| A24H2010GQRLP | 24.25 x 20.25 x 10.00 616 x 514 x 254 | A24P20 | A24P20G | 21.00 x 17.00 533 x 432 | 25.86 x 14.00 657 x 356 | 4 | — | — | — |
| A30H2410GQRLP | 30.25 x 24.25 x 10.00 768 x 616 x 254 | A30P24 | A30P24G | 27.00 x 21.00 686 x 533 | 31.95 x 18.00 812 x 457 | 5 | — | — | — |
| A20H1612GQRLP | 20.19 x 16.25 x 12.00 513 x 413 x 305 | A20P16 | A20P16G | 17.00 x 13.00 432 x 330 | 21.81 x 10.00 554 x 254 | 4 | — | — | — |
| A20H2012GQRLP | 20.19 x 20.25 x 12.00 513 x 514 x 305 | A20P20 | A20P20G | 17.00 x 17.00 432 x 432 | 21.81 x 14.00 554 x 356 | 4 | — | — | — |
| A24H2012GQRLP | 24.25 x 20.25 x 12.00 616 x 514 x 305 | A24P20 | A24P20G | 21.00 x 17.00 533 x 432 | 25.86 x 14.00 657 x 356 | 4 | 11.00 279 | — | — |
| A24H2412GQRLP | 24.19 x 24.19 x 12.00 614 x 614 x 305 | A24P24 | A24P24G | 21.00 x 21.00 533 x 533 | 25.81 x 18.00 656 x 457 | 4 | — | — | — |
| A30H2412GQRLP | 30.25 x 24.25 x 12.00 768 x 616 x 305 | A30P24 | A30P24G | 27.00 x 21.00 686 x 533 | 31.95 x 18.00 812 x 457 | 5 | — | — | — |
| A36H3012GQRLP | 36.25 x 30.25 x 12.00 921 x 768 x 305 | A36P30 | A36P30G | 33.00 x 27.00 838 x 686 | 37.58 x 24.00 955 x 610 | 5 | — | — | — |
| A36H3612GQRLP | 36.25 x 36.25 x 12.00 921 x 921 x 305 | A36P36 | A36P36G | 33.00 x 33.00 838 x 838 | 37.58 x 30.00 955 x 762 | 7 | — | — | — |
| A48H3612GQRLP | 48.25 x 36.25 x 12.00 1226 x 921 x 305 | A48P36 | A48P36G | 45.00 x 33.00 1143 x 838 | 49.56 x 30.00 1259 x 762 | 8 | — | — | — |
| A60H3612GQRLP | 60.25 x 36.25 x 12.00 1530 x 921 x 305 | A60P36 | A60P36G | 57.00 x 33.00 1448 x 838 | 61.58 x 30.00 1564 x 762 | 8 | — | — | — |
| A24H2016GQRLP | 24.25 x 20.25 x 16.00 616 x 514 x 406 | A24P20 | A24P20G | 21.00 x 17.00 533 x 432 | 25.86 x 14.00 657 x 356 | 4 | 14.00 356 | — | — |
| A24H2416GQRLP | 24.19 x 24.19 x 16.00 614 x 614 x 406 | A24P24 | A24P24G | 21.00 x 21.00 533 x 533 | 25.81 x 18.00 656 x 457 | 4 | 6.00 152 | 10.00 254 | 14.00 356 |
| A30H2416GQRLP | 30.25 x 24.25 x 16.00 768 x 616 x 406 | A30P24 | A30P24G | 27.00 x 21.00 686 x 533 | 31.95 x 18.00 812 x 457 | 5 | — | — | — |
| A48H3616GQRLP | 48.25 x 36.25 x 16.00 1226 x 921 x 406 | A48P36 | A48P36G | 45.00 x 33.00 1143 x 838 | 49.56 x 30.00 1259 x 762 | 8 | — | — | — |
| A60H3616GQRLP | 60.25 x 36.25 x 16.00 1530 x 922 x 406 | A60P36 | A60P36G | 57.00 x 33.00 1448 x 838 | 61.65 x 30.00 1566 x 762 | 8 | — | — | — |
| A20H1620GQRLP | 20.19 x 16.25 x 20.00 513 x 413 x 508 | A20P16 | A20P16G | 17.00 x 13.00 432 x 330 | 21.81 x 10.00 554 x 254 | 4 | 14.00 356 | 16.00 406 | 18.00 457 |
| A20H2020GQRLP | 20.19 x 20.25 x 20.00 513 x 514 x 508 | A20P20 | A20P20G | 17.00 x 17.00 432 x 432 | 21.81 x 14.00 554 x 356 | 4 | 14.00 356 | 16.00 406 | 18.00 457 |
| A24H2020GQRLP | 24.25 x 20.25 x 20.00 616 x 514 x 508 | A24P20 | A24P20G | 21.00 x 17.00 533 x 432 | 25.86 x 14.00 657 x 356 | 4 | 14.00 356 | 16.00 406 | 18.00 457 |
| A24H2420GQRLP | 24.19 x 24.19 x 20.00 614 x 614 x 508 | A24P24 | A24P24G | 21.00 x 21.00 533 x 533 | 25.81 x 18.00 656 x 457 | 4 | 18.00 457 | — | — |
| A30H2420GQRLP | 30.25 x 24.25 x 20.00 768 x 616 x 508 | A30P24 | A30P24G | 27.00 x 21.00 686 x 533 | 31.95 x 18.00 812 x 457 | 5 | 14.00 356 | 16.00 406 | 18.00 457 |
| A36H3020GQRLP | 36.25 x 30.25 x 20.00 921 x 768 x 508 | A36P30 | A36P30G | 33.00 x 27.00 838 x 686 | 37.72 x 24.00 958 x 610 | 5 | — | — | — |
| A48H3620GQRLP | 48.25 x 36.25 x 20.00 1226 x 921 x 508 | A48P36 | A48P36G | 45.00 x 33.00 1143 x 838 | 49.72 x 30.00 1263 x 762 | 8 | — | — | — |
| A24H2024GQRLP | 24.25 x 20.25 x 24.00 616 x 514 x 610 | A24P20 | A24P20G | 21.00 x 17.00 533 x 432 | 25.86 x 14.00 657 x 356 | 4 | 22.00 559 | — | — |
| A24H2424GQRLP | 24.19 x 24.19 x 24.00 614 x 614 x 610 | A24P24 | A24P24G | 21.00 x 21.00 533 x 533 | 25.81 x 18.00 656 x 457 | 4 | 22.00 559 | — | — |
| A30H2424GQRLP | 30.25 x 24.25 x 24.00 768 x 616 x 610 | A30P24 | A30P24G | 27.00 x 21.00 686 x 533 | 31.95 x 18.00 812 x 457 | 5 | 22.00 559 | — | — |

Purchase panels separately. Optional stainless steel, composite and aluminum panels are available for most sizes.

Hinged with Quick-Release Latch Enclosures 36 X 30 or Smaller Drawing

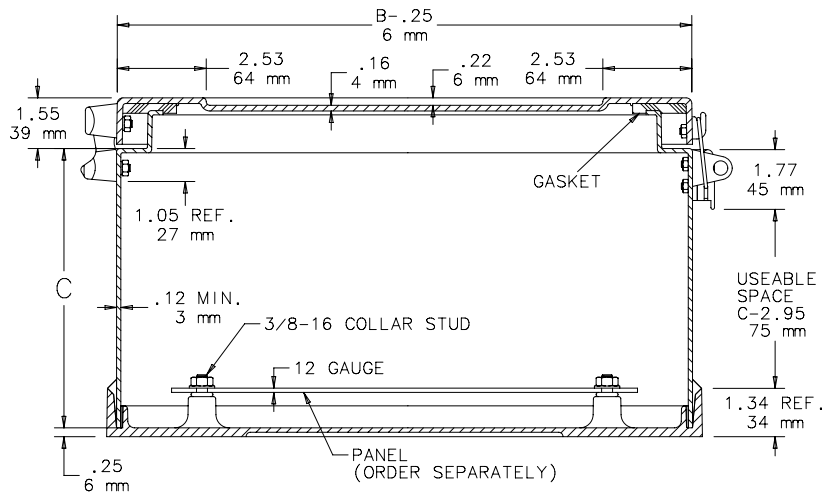


FRONT VIEW WITH DOOR

SIDE VIEW

FRONT VIEW DOOR REMOVED

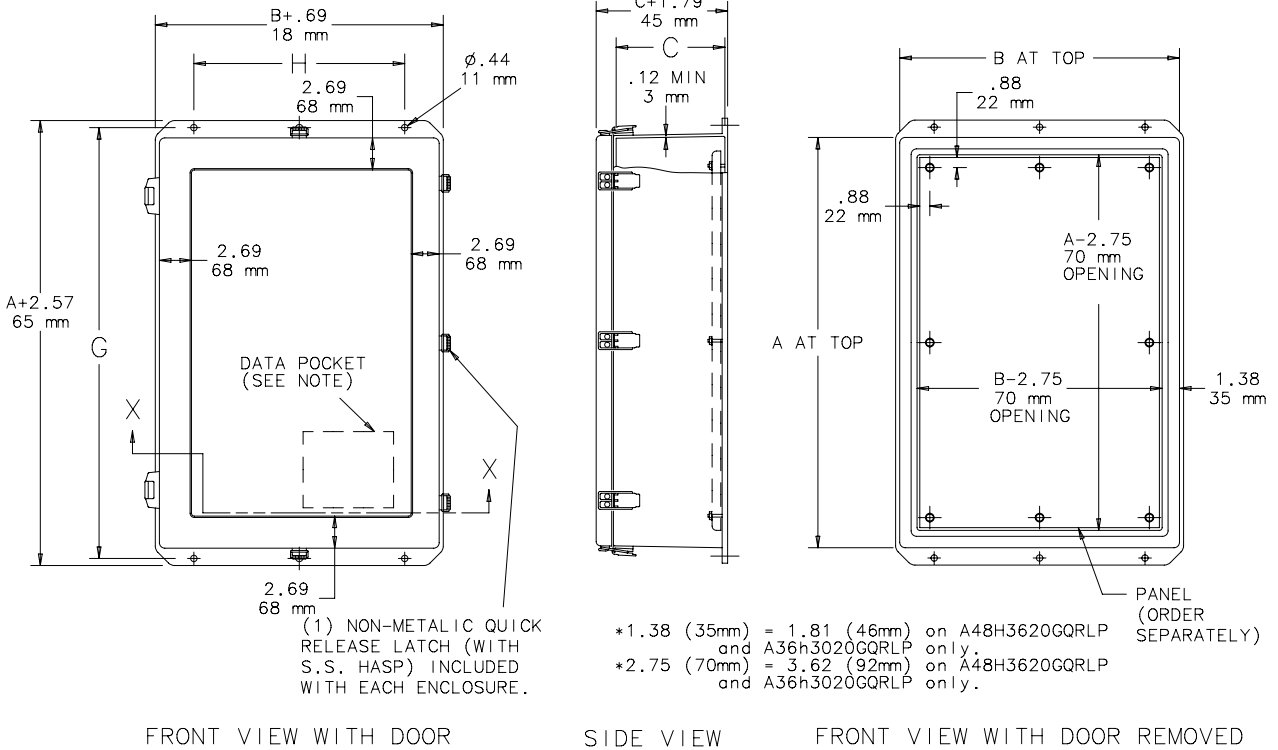
NOTE: Enclosure A36H3020GQRLP still is manufactured according to the drawing of enclosures 36 X 36 or larger.



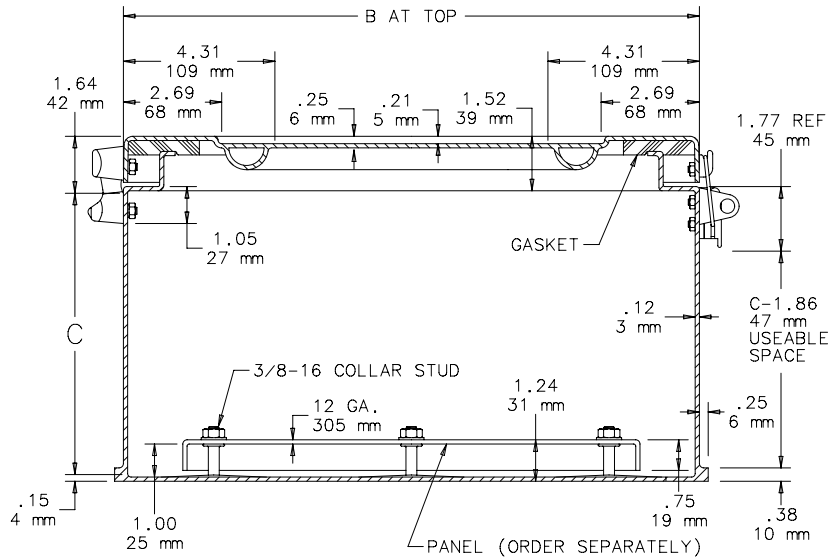
C2551-C

SECTION X-X

Hinged with Quick-Release Latch Enclosures 36 X 36 or Larger Drawing



NOTE: Large data pocket provision when A=30.00 (7.76mm) or more. Data pocket is furnished but not installed. Large data pocket is 12.00 X 12.00 (305mm X 305mm); small data pocket is 6.00 x 6.00 (152mm x 152mm).



Notes