

**STAINLESS STEEL PRESSURE COMPENSATION**

**INDUSTRY STANDARDS**

CE  
 NEMA Type 4X  
 IEC/EN 60529, IP66

**APPLICATION**

Pressure differentials in a tightly sealed enclosure result from heat generated by electrical and electronic equipment within the enclosure and fluctuations of outside ambient temperature. Stainless steel pressure compensation devices provide IP66 protection in corrosive applications requiring slow pressure equalization. For optimal performance, install two plugs diagonally to each other.

**FEATURES**

- Air permeability = 42 cubic feet/hour (1,200 liters/hour) at a pressure difference of min. 70 mbar
- Easy installation: drill one 1.60-in. (41-mm) diameter hole
- Sealing gasket (Nitrile Buna-N Rubber)

**SPECIFICATIONS**

- Type 316L stainless steel
- Semipermeable membrane inside the plug filters moisture and dust
- Mounting thread M40 with union nut

**FINISH**

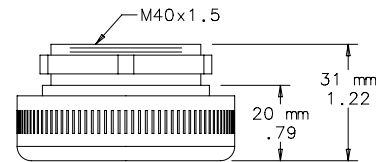
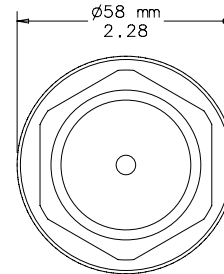
- Machined Type 316L stainless steel

**CATALOG NUMBERS**

APCDSS6

**UNIT CONSTRUCTION**

Operating/Storage Temperature (°F/°C)	-40/-40 to 176/80
Unit Dimensions (in./mm)	2.28/58Ø x 1.22/31
Depth into Enclosure (in./mm)	.35/9



87921423

**PRESSURE COMPENSATION**



**INDUSTRY STANDARDS**

UL Type 1, 4, 4X; File No. E234324

CE  
IEC/EN 60529, IP66

**APPLICATION**

Pressure differentials in a tightly sealed enclosure result from heat generated by electrical and electronic equipment within the enclosure and fluctuations of outside ambient temperature. Pressure compensation devices provide IP66 protection in applications requiring slow pressure equalization. For optimal performance, install two plugs diagonally to each other.

**FEATURES**

- Air permeability = 42 cubic feet/hour (1,200 liters/hour) at a pressure difference of min. 70 mbar
- Easy installation: drill one 1.60-in. (41-mm) diameter hole
- Sealing gasket (Nitrile Buna-N Rubber)

**SPECIFICATIONS**

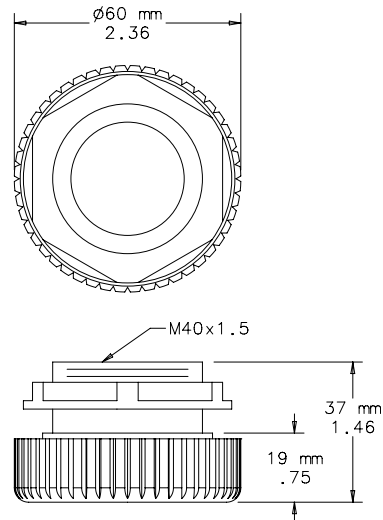
- Semipermeable membrane inside the plug to filter moisture and dust
- Mounting thread M40 with union nut
- Plastic PA66

**FINISH**

- Light-gray plastic. Polymeric material manufactured by DuPont™. DuPont is the trademark of E. I. duPont de Nemours and Company.

**CATALOG NUMBERS**

	APCDABS
<b>UNIT CONSTRUCTION</b>	
Operating/Storage Temperature (°F/°C)	-49/-45 to 158/70
Unit Dimensions (in./mm)	2.36/60Ø x 146/37
Depth into Enclosure (in./mm)	.6/15



87921424