

LIFT-OFF-COVER, TYPE 12

INDUSTRY STANDARDS

 UL 50, 50E Listed; Type 12, 13; File No. E27525
 cUL Listed per CSA C22.2 No. 94; Type 12, 13; File No. E27525
 UL 508A Listed; Type 12, 13; File No. E61997
 cUL Listed per CSA C22.2 No. 94; Type 12, 13; File No. E61997

 NEMA/EEMAC Type 12 and 13
 CSA, File No. 42184: Type 12
 IEC 60529, IP65

APPLICATION

With a chain-secured, lift-off clamp cover, this enclosure meets basic functionality requirements for housing controls and instrumentation.

SPECIFICATIONS

- 16 or 14 gauge steel (see table)
- Seams continuously welded and ground smooth
- External screw clamps
- Lift-off cover
- Bonding provision on cover
- Chain holds cover to box when cover is removed
- Oil-resistant gasket
- Weldnuts provided for mounting optional panels and terminal block kits in size 6.00 x 4.00 in. (152 x 102 mm) and larger
- External wall-mounting brackets

FINISH

ANSI 61 gray polyester powder paint inside and out

ACCESSORIES
See also Accessories.

Clamp Kits

Fast-Operating Clamp-Cover Junction Box Clamp

Panels for Junction Boxes

Terminal Block Kit Assembly for Junction Boxes Overview

Steel and Stainless Steel Window Kits

MODIFICATION AND CUSTOMIZATION

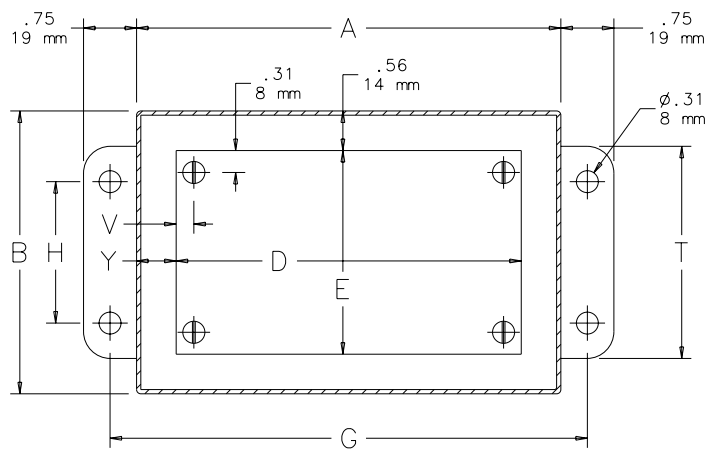
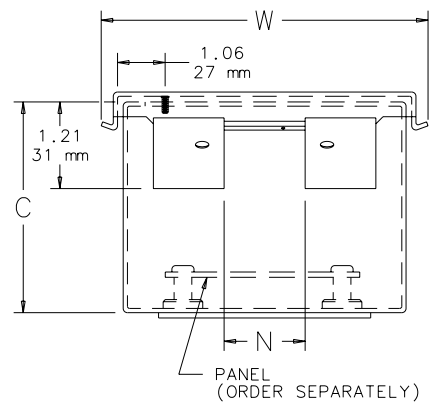
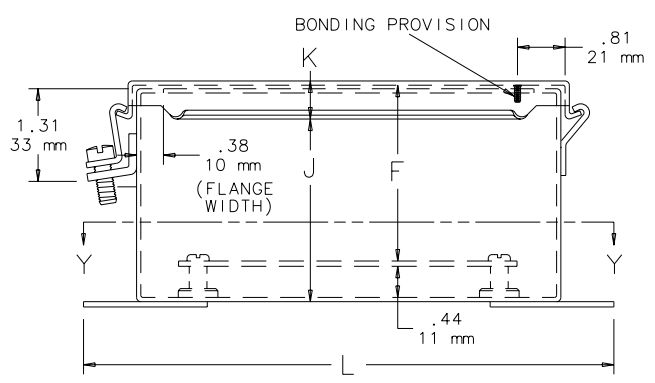
Hoffman excels at modifying and customizing products to your specifications. Contact your local Hoffman sales office or distributor for complete information.

BULLETIN: A51LP

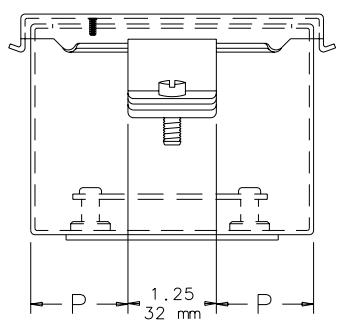
Standard Product

| Catalog Number | AxBxC in./mm | Gauge | UL Listed | Panel | Conductive Panel | Panel Size D x E in./mm | Mounting G x H in./mm | Overall L x W in./mm | F in./mm | J in./mm | K in./mm | N in./mm | P in./mm | T in./mm | V in./mm | Y in./mm |
|----------------|---|-------|-----------|----------|------------------|----------------------------|----------------------------|----------------------------|-------------|-------------|------------|--------------|------------|--------------|---------------|------------|
| A404LP | 4.00 x 4.00 x 3.00 102 x 102 x 76 | 16 | 508A | No Panel | No Panel | No Panel | 4.75 x 2.00 121 x 51 | 5.50 x 4.57 140 x 116 | — | 2.62 66 | 0.54 14 | 1.31 33 | 1.38 35 | 3.00 76 | — | — |
| A604LP | 6.00 x 4.00 x 3.00 152 x 102 x 76 | 16 | 508A | A6P4 | A6P4G | 4.88 x 2.88 124 x 73 | 6.75 x 2.00 171 x 51 | 7.50 x 4.57 191 x 116 | 2.53 64 | 2.62 66 | 0.54 14 | 1.31 33 | 1.38 35 | 3.00 76 | 0.31 8 | 0.56 14 |
| A806LP | 8.00 x 6.00 x 3.50 203 x 152 x 89 | 14 | 50, 50E | A8P6 | A8P6G | 6.75 x 4.88 171 x 124 | 8.75 x 4.00 222 x 102 | 9.50 x 6.64 241 x 169 | 3.03 76 | 3.12 74 | 0.56 14 | 2.88 73 | 2.38 60 | 5.00 127 | 0.25 6 | 0.62 16 |
| A4044LP | 4.00 x 4.00 x 4.00 102 x 102 x 102 | 16 | 508A | No Panel | No Panel | No Panel | 4.75 x 2.00 121 x 51 | 5.50 x 4.57 140 x 116 | — | 3.62 92 | 0.54 14 | 1.31 33 | 1.38 35 | 3.00 76 | — | — |
| A6044LP | 6.00 x 4.00 x 4.00 152 x 102 x 102 | 16 | 508A | A6P4 | A6P4G | 4.88 x 2.88 124 x 73 | 6.75 x 2.00 171 x 51 | 7.50 x 4.57 191 x 116 | 3.53 90 | 3.62 92 | 0.54 14 | 1.31 33 | 1.38 35 | 3.00 76 | 0.31 (8) 8 | 0.56 14 |
| A606LP | 6.00 x 6.00 x 4.00 152 x 152 x 102 | 16 | 50, 50E | A6P6 | A6P6G | 4.88 x 4.88 124 x 124 | 6.75 x 4.00 171 x 102 | 7.50 x 6.57 191 x 167 | 3.53 90 | 3.62 92 | 0.54 14 | 2.88 73 | 2.38 60 | 5.00 127 | 0.31 (8) 8 | 0.56 14 |
| A1008LP | 10.00 x 8.00 x 4.00 254 x 203 x 102 | 14 | 50, 50E | A10P8 | A10P8G | 8.75 x 6.88 222 x 175 | 10.75 x 6.00 273 x 152 | 11.50 x 8.57 292 x 218 | 3.53 90 | 3.62 92 | 0.56 14 | 4.00 102 | 1.00 25 | 7.00 178 | 0.25 (6) 6 | 0.62 16 |
| A1210LP | 12.00 x 10.00 x 5.00 305 x 254 x 127 | 14 | 50, 50E | A12P10 | A12P10G | 10.75 x 8.88 273 x 226 | 12.75 x 8.00 324 x 203 | 13.50 x 10.64 343 x 270 | 4.53 115 | 4.62 117 | 0.56 14 | 6.00 152 | 1.00 25 | 9.00 229 | 0.25 (6) 6 | 0.62 16 |
| A1412LP | 14.00 x 12.00 x 6.00 356 x 305 x 152 | 14 | 50, 50E | A14P12 | A14P12G | 12.75 x 10.88 324 x 276 | 14.75 x 10.00 375 x 254 | 15.50 x 12.64 394 x 321 | 5.53 140 | 5.62 143 | 0.56 14 | 8.00 203 | 1.00 25 | 11.00 279 | 0.25 (6) 6 | 0.62 16 |
| A1614LP | 16.00 x 14.00 x 6.00 406 x 356 x 152 | 14 | 50, 50E | A16P14 | A16P14G | 14.75 x 12.88 375 x 327 | 16.75 x 12.00 425 x 305 | 17.50 x 14.64 445 x 372 | 5.53 140 | 5.62 143 | 0.56 14 | 10.00 254 | 1.00 25 | 13.00 330 | 0.25 (6) 6 | 0.62 16 |

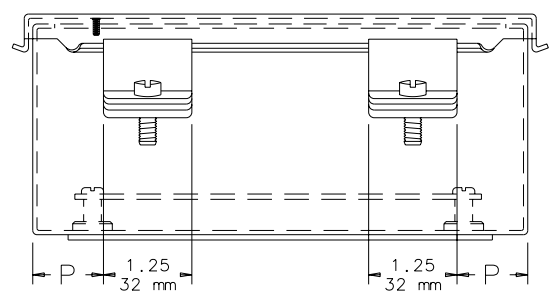
Purchase panels separately. Optional stainless steel, conductive, composite and aluminum panels are available for most sizes.



SECTION Y-Y



B < 8.00 (203mm)



B ≥ 8.00 (203mm)

C2481-C