

METERING, TYPE 1

INDUSTRY STANDARDS

CSA File Number 42184: Type 1
 NEMA/EEMAC Type 1
 IEC 60529, IP30

APPLICATION

This enclosure houses metering transformers and instrument assemblies in indoor applications. HQ models meet Hydro-Québec requirements. It includes one pre-punched accessory, one potential transformer and one current transformer panel, and a four-lug splitter block.

FEATURES

- Gland plates on top of two-door enclosure for meter connection
- Hinged door with pull latch and provision for padlocking
- Mounting holes in back

SPECIFICATIONS

- 14 or 16 gauge steel

FINISH

ANSI 61 gray polyester powder paint finish inside and out

ACCESSORIES

See also Accessories.
 Touch-Up Paint

BULLETIN: M1

Standard Product Metering Cabinets

Catalog Number	AxBxC in.	AxBxC mm	Panel Dimensions D x E (in.)	Panel Dimension D x E (mm)	Door
AMC271310R	27.00 x 13.00 x 10.00	686 x 330 x 254	22.75 x 8.75	578 x 222	Single
AMC302010R	30.00 x 20.00 x 10.00	762 x 508 x 254	25.75 x 15.75	654 x 400	Single
AMC303010R	30.00 x 30.00 x 10.00	762 x 762 x 254	25.75 x 25.75	654 x 654	Double
AMC363612R	36.00 x 36.00 x 12.00	915 x 915 x 305	31.75 x 31.75	806 x 806	Double
AMC484812R	48.00 x 48.00 x 12.00	1220 x 1220 x 305	43.75 x 43.75	1111 x 1111	Double

Standard Product UG-Series Cabinets

Catalog Number	AxBxC in.	AxBxC mm	Door
AMC202010UG	20.00 x 20.00 x 10.00	508 x 508 x 254	Single
AMC303010UG	30.00 x 30.00 x 10.00	762 x 762 x 254	Double
AMC363612UG	36.00 x 36.00 x 12.00	914 x 914 x 305	Double
AMC484812UG	48.00 x 48.00 x 12.00	1219 x 1219 x 305	Double

Panels included.

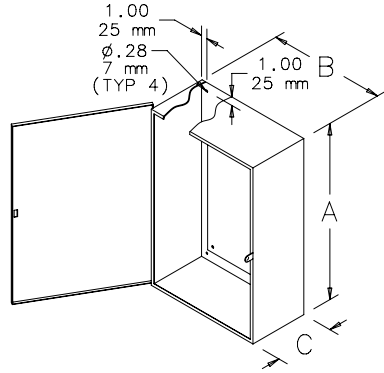
Standard Product Metering Cabinets Meeting Hydro-Québec Requirements

Catalog Number	AxBxC in.	AxBxC mm	Door
AMC303010HQ	30.00 x 30.00 x 10.00	762 x 762 x 254	Double
AMC363612HQ	36.00 x 36.00 x 12.00	914 x 914 x 305	Double
AMC484812HQ	48.00 x 48.00 x 12.00	1219 x 1219 x 305	Double

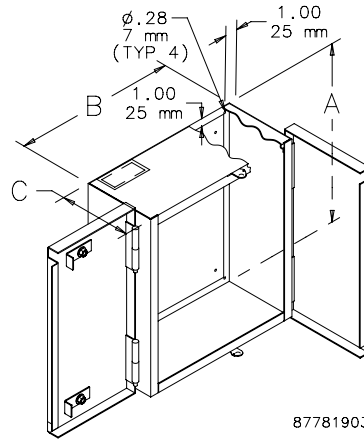
Panels Included with Hydro-Québec Cutouts

Catalog Number	AxBxC in.	AxBxC mm	Panel with Cutouts for	D (in.)	D (mm)	E (in.)	E (mm)
A32N34HQ	0.00		Current Transformer	12.76	324	13.39	340
A62N17HQ	0.00		Accessory	24.69	627	7.01	178
A65N38HQ	0.00		Main and Potential Transformer	25.59	650	15.00	381

Single-Door Enclosures

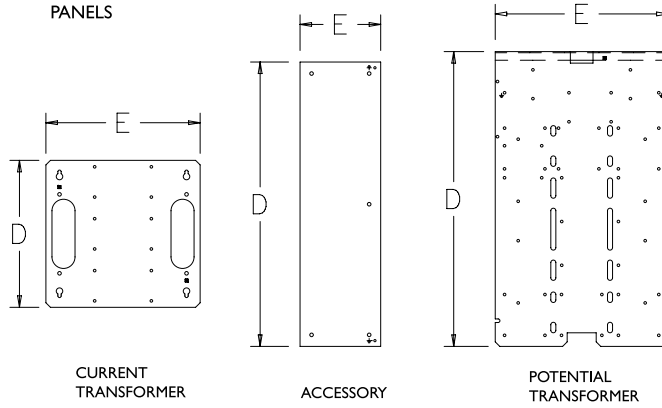


Two-Door Enclosures



87781903

PANELS



CURRENT TRANSFORMER

ACCESSORY

POTENTIAL TRANSFORMER

87781904