



Stackable Wall Mounting
Mechanical or Fusion Splice
Trays
Port Capacity: 4 or 12 FSP
Adapter Panels

FEATURES

- Separate, lockable user and installer-side compartments - tamper-resistant
- Cable entry ports designed for stackable wall mounting - additional capacity as desired
- Accepts Hubbell splice trays
- Hubbell Label System compatible for enhanced label identification
- FCW4SP accepts 7" splice trays
- FCW12SP accepts 7" and 10" splice trays

SPECIFICATIONS

- ◆ 16 ga. cold rolled steel construction
- ◆ Durable black powder coat finish
- ◆ Weight (unloaded) - FCW4SP: 12 lbs.
FCW12SP: 21 lbs.
- ◆ The FCW4SP accepts a maximum of two 7" splice trays (one 7" tray with high-density adapter panels installed)
- ◆ The FCW12SP accepts a maximum of four 10" splice trays

OPTIchannel™ FCW Wall Mount Cabinet

Modular, 2-Door



The OPTIchannel 2-door FCW series are designed for applications that require interconnections, cable management and routing of fiber in a secure environment. These cabinets come equipped with a lock on the installer-side to prevent unauthorized access to terminations. The user-side features a knock-out for an optional FLOCK 2 lock set.

Cable entry ports are aligned on the top and bottom of each cabinet. This allows stackable mounting, so cables can be easily run from one cabinet to the next. FCW series cabinets are available in two sizes. Adapter Panels are sold separately.

The **FCW4SP** cabinet provides for a maximum of 4 FSP series adapter panels. It is supplied with all hardware necessary to route the fibers and secure cables.

The **FCW12SP** cabinet provides for a maximum of 12 FSP series adapter panels. It is supplied with all the hardware necessary to route the fibers and secure cables.

A mounting stud is also provided with the cabinet for mounting splice trays on the back wall of the cabinet if required. Our STRAY, mechanical or fusion splice trays, are sold separately.

ORDER INFORMATION

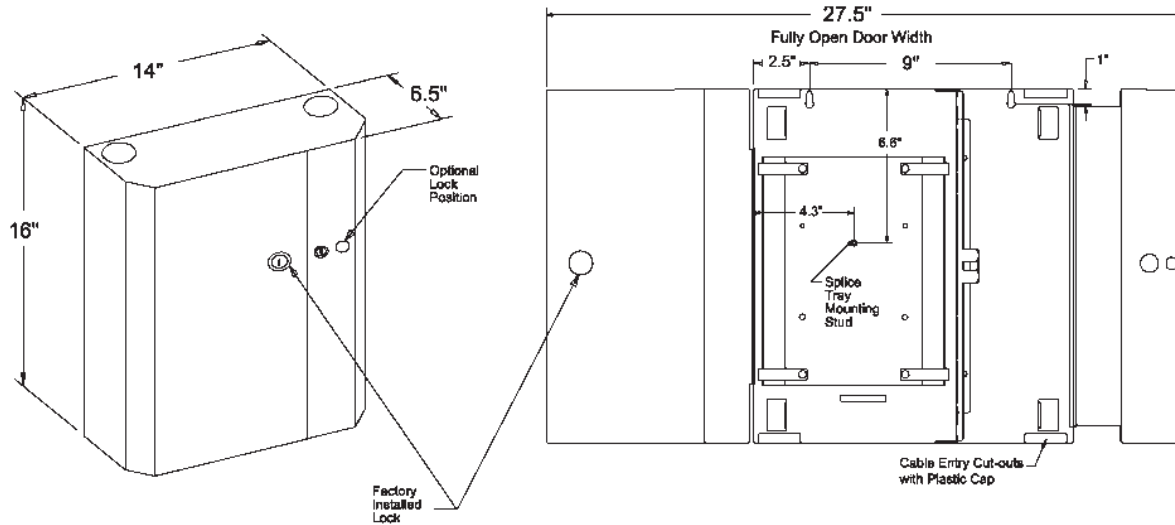
FCW Double Door Wall Mount Cabinets*

Accepts	Height	Width	Depth	Catalog No.
4 FSP Adapter panels	12" (305)	14" (356)	3.25" (83)	FCW4SP
12 FSP Adapter panels	16" (406)	6.50" (165)	FCW12SP	
Lock Kit - For user-side (sold separately)				FLOCK2

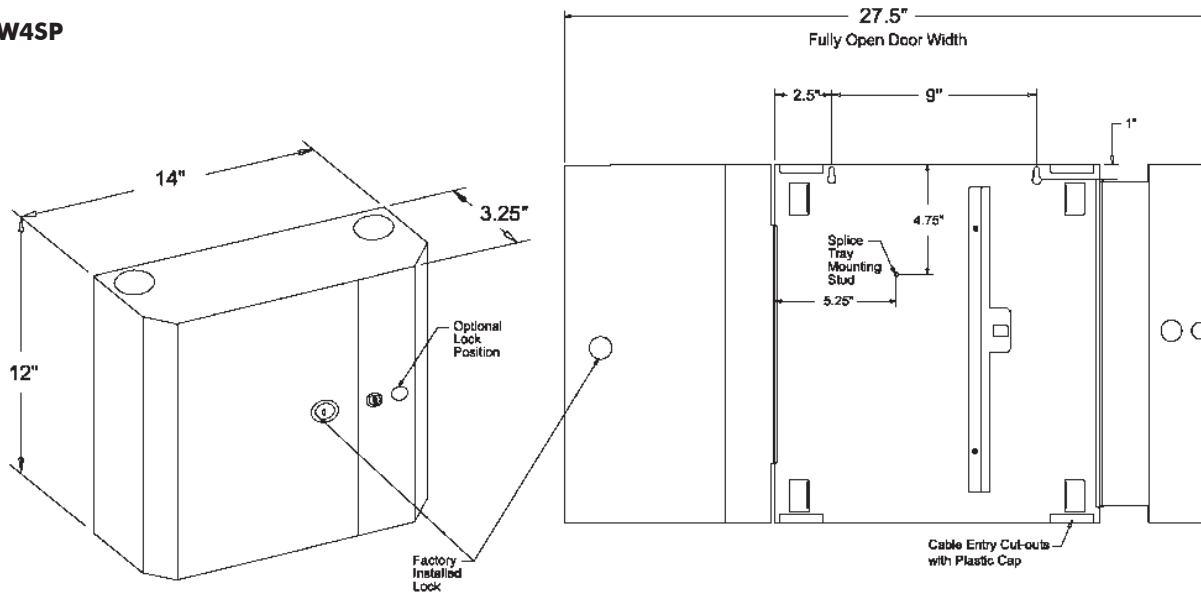
* Supplied with **FLOCK1** only on technician's side.

DIMENSIONS

FCW12SP



FCW4SP



Hubbell Premise Wiring

HUBBELL INCORPORATED (Delaware)

14 Lord's Hill Road • Stonington, CT 06378-0901 • (860) 535-8326 • 800-626-0005

Fax: (860) 535-8328 • Internet site: <http://www.hubbell-premise.com>

Worldwide Locations

Hubbell Premise Wiring, Asia Pacific
 Hubbell Canada Inc.
 Hubbell Premise Wiring, China
 Hubbell Premise Wiring, Europe
 Hubbell Int'l. Inc., Korea Branch
 Hubbell Premise Wiring, Latin America

852-2836-7131 Fax: 852-2836-7132
 905-839-1138 Fax: 905-839-9108
 8621-6309-0119 Fax: 8621-6309-0122
 44-(0)1234-848550 Fax: 44-(0)1234-856190
 82-2-(0)2607-1363 Fax: 82-2-(0)2603-7386
 305-251-4236 Fax: 305-251-4087

Hubbell de Mexico, S.A. de C.V.
 Hubbell Premise Wiring, Middle East
 Hubbell Premise Wiring, Puerto Rico
 Hubbell-Taiwan Co., Ltd., Taiwan
 Hubbell Incorporated, Turkey
 Hubbell Premise Wiring, Venezuela

52-5-559-5304
 971-4-393-4192
 787-720-7185
 886-2-(0)2515-0855
 90-216-414-8147
 58-16-6807453

Fax: 52-5-559-5885
 Fax: 971-4-393-4194
 Fax: 787-789-2796
 Fax: 886-2-(0)2515-0899
 Fax: 90-216-414-8148
 Fax: 58-281-2820323