

TOUCH-SAFE HEATERS



INDUSTRY STANDARDS

cURus Component Recognized; File No. E150057

IP 20
CE

APPLICATION

Protect electronic, mechanical equipment from low temperatures, condensation, and corrosion with this heater, which will maintain stable enclosure temperatures by using natural convection resulting in current circulation of warm air.

SPECIFICATIONS

- Heating element PTC resistor - temperature limiting
- Double Insulated Protection
- Mounting clip for 35mm DIN rail, EN 60 715
- Vertical mount

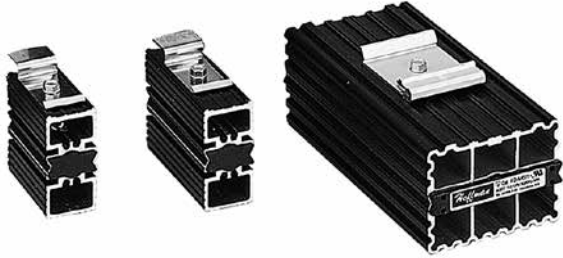
FINISH

- UL 94 V-0 Black Plastic Housing

Performance Data

CATALOG NUMBERS	DAH101TS	DAH201TS	DAH501TS
Electrical Data			
Rated Voltage (AC/DC)	110/120	110/120	110/120
Power Consumption (Watts)	10	20	50
Start Nominal Current (Amps)	2.5	4.5	8
Unit Construction			
H x W x D (in./mm)	3.9 X 1.5 X 3.0/98 x 38 x 75	3.9 X 1.5 X 3.0/98 x 38 x 75	4.3 X 2.4 X 3.5/110 x 60 x 90
Weight (oz)	5.0	6.1	10.4

SEMICONDUCTOR HEATERS



INDUSTRY STANDARDS

cURus Component Recognized; File No. E150057

IEC IP54
CE

APPLICATION

Protect electronic, pneumatic, hydraulic and mechanical equipment from low temperatures, condensation and corrosion with this heater, which maintains a stable enclosure temperature.

SPECIFICATIONS

- PTC (Positive Temperature Coefficient) heating element
- Mounting clip for 35-mm DIN rails EN 50022

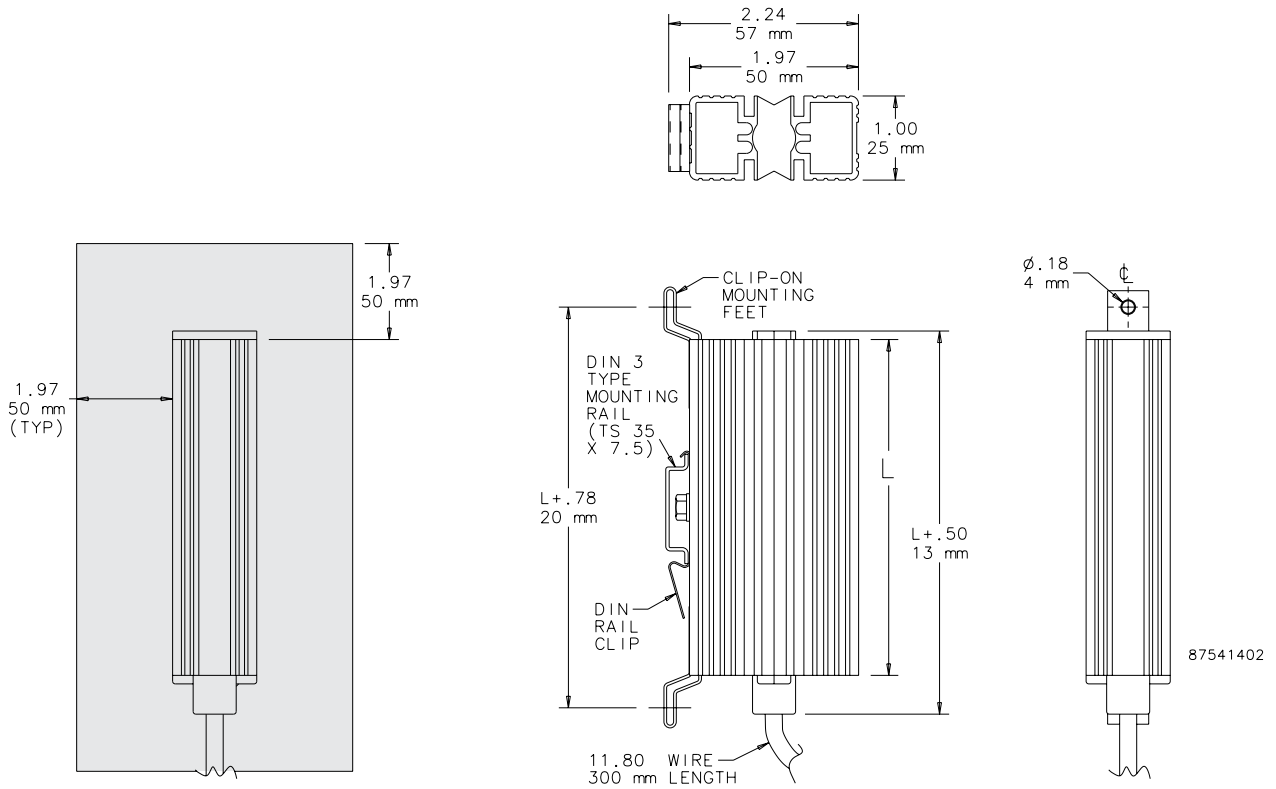
FINISH

- Black anodized, extruded aluminum.

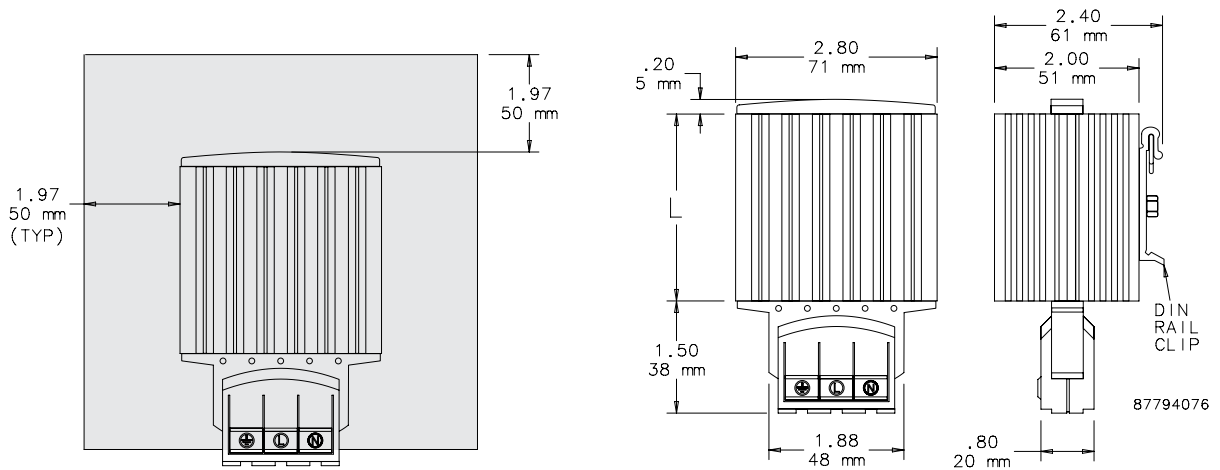
Performance Data **Semiconductor Heater**

CATALOG NUMBERS			
	DAH101	DAH301	DAH601
ELECTRICAL DATA			
Rated Voltage	AC/DC 110/120	AC/DC 110/120	AC/DC 110/250
Power Consumption (Watts)	10	30	60
Start Nominal Current (Amps)	0.8	1.2	2.5
HEATING PERFORMANCE			
Watts	10	30	60
UNIT CONSTRUCTION			
L (in./mm)	1.97/50	3.93/100	5.5/140
Weight (lb./kg)	0.45/0.20	0.66/0.30	1.10/0.50

Clearance Range for DAH101 and DAH301



Clearance Range for DAH601



ELECTRIC HEATERS



115/230 Volt
100/200 Watt



115/230 Volt
400/800 Watt



115/230 Volt
1300 Watt

INDUSTRY STANDARDS

UL 508A Component Recognized; File No. E61997

CSA Certified, CSA File No. LR42186
CE

APPLICATION

Protect mechanical, electrical and electronic equipment from low temperatures, condensation and corrosion with this thermostatically controlled, fan-driven heater that maintains a stable enclosure temperature. Fan draws cool air from the bottom of the enclosure and passes this air across the thermostat and heating element before being released into enclosure cavity. Heated air is discharged through the top of the heater unit.

SPECIFICATIONS

- Aluminum housing
- Thermostat range adjustable from 0 F to 100 F (-18 C to 38 C)
- Four 10-32 x self-tapping screws are included with each heater
- Ball bearing fan
- Terminal strip with clamp connector that accepts both solid and stranded wire

FINISH

- Brushed aluminum


CAUTION

These electric heaters are not designed for use in dusty, dirty, corrosive, or hazardous locations. Portions of the heater can get hot. Adequate protection must be taken to protect people from potential burns, and to protect other components from this heat. Pentair Technical Products recommends this heater only be installed in a totally-enclosed metal enclosure.

DO NOT INSTALL HEATERS ON WOOD PANELS.

Heat sensitive components should not be placed near the heater discharge area since this air can be quite warm. The clearance range defines the space that must be kept free of these components for proper and safe operation of the heater.

Performance Data **100 and 200 Watt Heaters**

CATALOG NUMBERS				
	DAH1001A	DAH1002A	DAH2001A	DAH2002A
ELECTRICAL DATA				
Rated Voltage	115	230	115	230
Frequency (Hz)	50/60	50/60	50/60	50/60
Power Consumption (Watts)	100	100	200	200
Nominal Current (Amps)	0.98	0.49	1.89	0.95
HEATING PERFORMANCE				
Watts	100	100	200	200
UNIT CONSTRUCTION				
Weight (lb./kg)	1.6/0.73	1.6/0.73	1.6/0.73	1.6/0.73
X (in./mm)	4.00/102	4.00/102	4.00/102	4.00/102

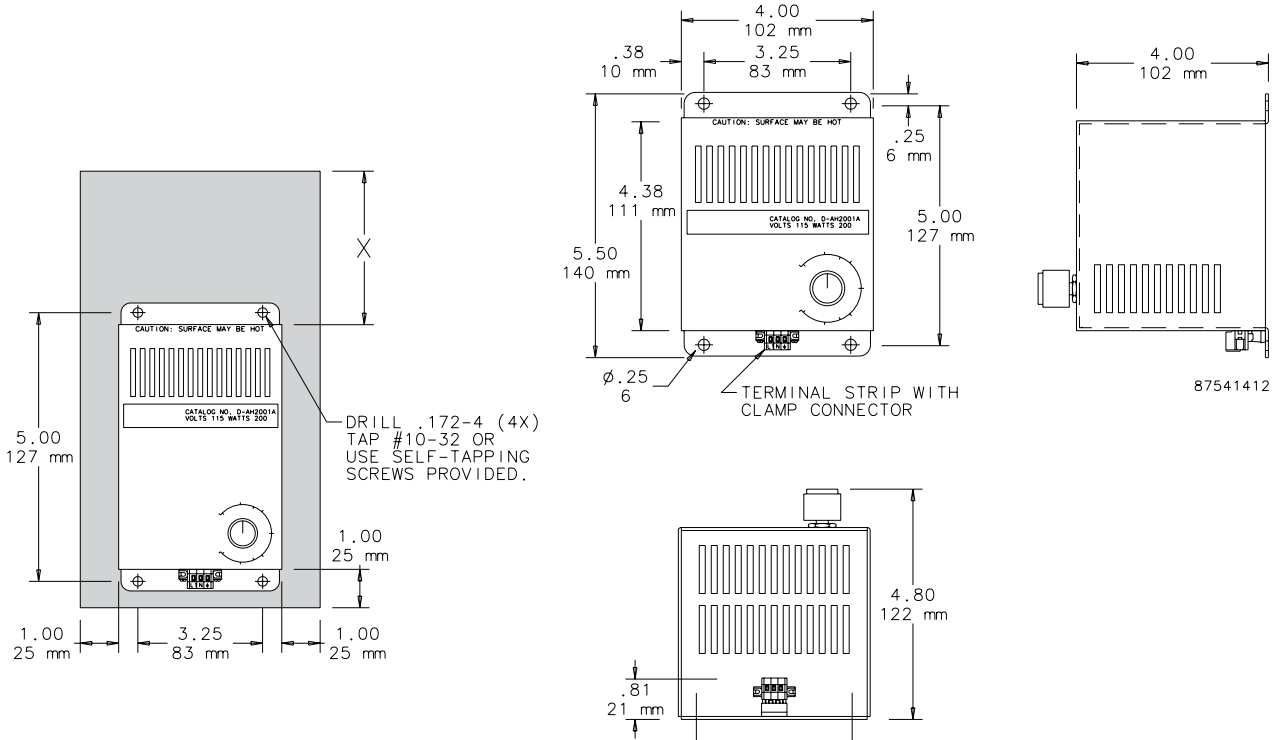
 Performance Data **400 and 800 Watt Heaters**

CATALOG NUMBERS				
	DAH4001B	DAH4002B	DAH8001B	DAH8002B
ELECTRICAL DATA				
Rated Voltage	115	230	115	230
Frequency (Hz)	50/60	50/60	50/60	50/60
Power Consumption (Watts)	400	400	800	800
Nominal Current (Amps)	3.72	1.86	7.37	3.69
HEATING PERFORMANCE				
Watts	400	400	800	800
UNIT CONSTRUCTION				
Weight (lb./kg)	2.2/1.00	2.2/1.00	2.2/1.00	2.2/1.00
X (in./mm)	6.00/152	6.00/152	8.00/203	8.00/203

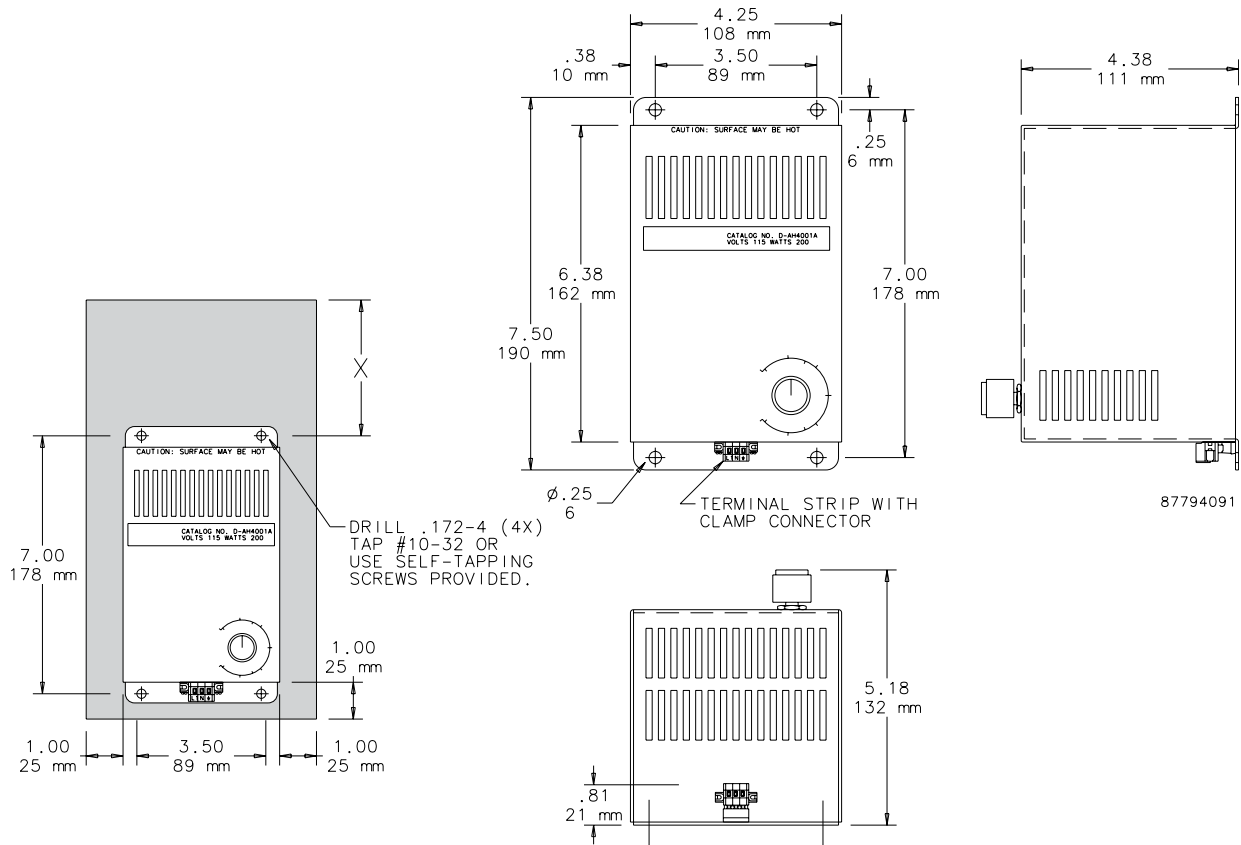
 Performance Data **1300 Watt Heaters**

CATALOG NUMBERS		
	DAH13001C	DAH13002C
ELECTRICAL DATA		
Rated Voltage	115	230
Frequency (Hz)	50/60	50/60
Power Consumption (Watts)	1300	1300
Nominal Current (Amps)	11.5	5.7
HEATING PERFORMANCE		
Watts	1300	1300
UNIT CONSTRUCTION		
Weight (lb./kg)	3.4/1.54	3.4/1.54
X (in./mm)	8.00/203	8.00/203

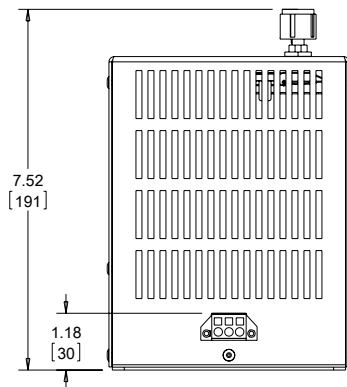
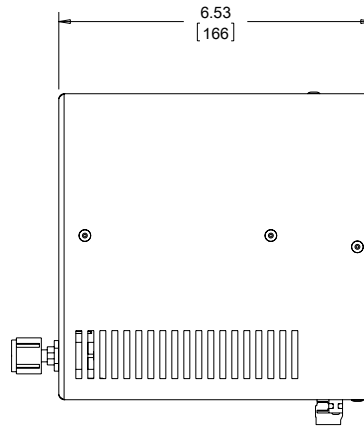
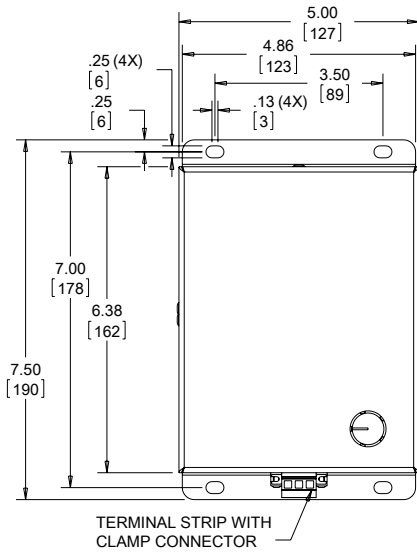
Dimensions and Clearance Range Drawing for DAH1001A, -2A and DAH2001A, -2A



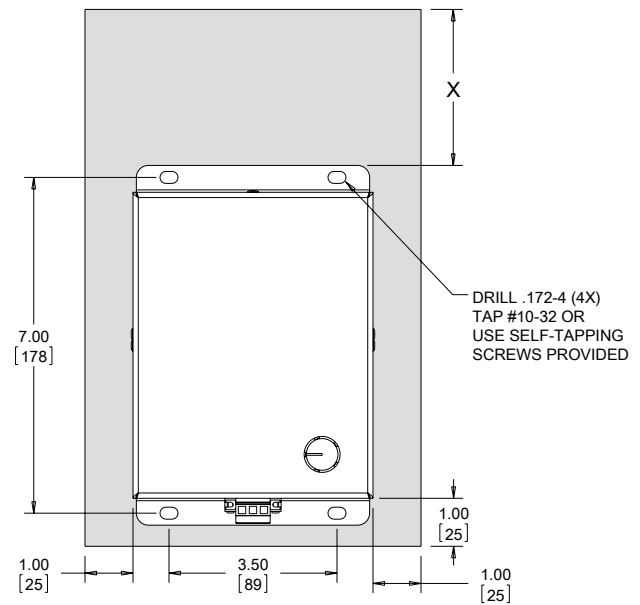
Dimensions and Clearance Range Drawing for DAH4001B, -2B and DAH8001B, -2B



Dimensions and Clearance Range Drawing for DAH13001C and DAH13002C



89091692



HAZARDOUS LOCATION HEATER



INDUSTRY STANDARDS

CE
 Conformity Certificate LCIE (Laboratoire Central des Industries Electriques) LCIE 01 ATEX 6073
 EEx d IIC T4/II 2 GD, IP6x T135°C
 IEC 60529, IP65/1 (grounded)

APPLICATION

Designed for use in hazardous locations where electronic components require protection from condensation and corrosion, sudden temperature drops and low temperatures.

FEATURES

- Maintenance-free
- High-performance heating cartridge (element)
- Large convection surface
- Extruded aluminum heat sink
- DIN clip for mounting
- Connection cable: Si HF-JZ 3 x AWG 18 x 3.3 ft. (0.75 mm² x 1 m)
- Operating voltage 110-120 VAC

FINISH

- Black anodized

Performance Data Hazardous Location Heater

CATALOG NUMBERS	
	HLHEAT100
DESIGN DATA	
Heating Power (Watts)	100
Surface Temperature T4 (°F/°C) *	275/135
UNIT CONSTRUCTION	
Unit Dimensions - H x W x D (in. / mm)	7.10/180 x 4.65/118 x 270/69

* Surface temperature when mounted vertically.

