



A Pentair Company



www.hoffmanonline.com

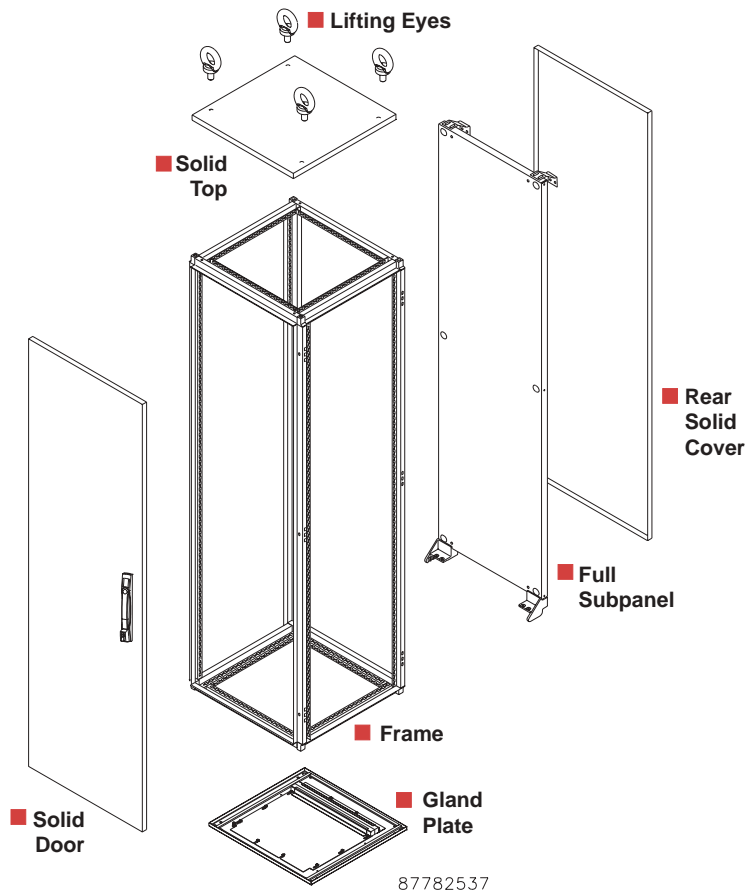
Standard Sizes PROLINE® Industrial Packages

Catalog Number	Dimensions	
	A x B x C (mm)	A x B x C (in.)
PP1466	1400 x 600 x 600	55.12 x 23.62 x 23.62
PP1485	1400 x 800 x 500	55.12 x 31.50 x 19.69
PP1666	1600 x 600 x 600	62.99 x 23.62 x 23.62
PP1668	1600 x 600 x 800	62.99 x 23.62 x 31.50
PP1686	1600 x 800 x 600	62.99 x 31.50 x 23.62
PP1688	1600 x 800 x 800	62.99 x 31.50 x 31.50
PP16126	1600 x 1200 x 600	62.99 x 47.24 x 23.62
PP16128	1600 x 1200 x 800	62.99 x 47.24 x 31.50
PP1866	1800 x 600 x 600	70.87 x 23.62 x 23.62
PP1868	1800 x 600 x 800	70.87 x 23.62 x 31.50
PP1885	1800 x 800 x 500	70.87 x 31.50 x 19.69
PP1886	1800 x 800 x 600	70.87 x 31.50 x 23.62
PP1888	1800 x 800 x 800	70.87 x 31.50 x 31.50
PP18105	1800 x 1000 x 500	70.87 x 39.37 x 19.69
PP18106	1800 x 1000 x 600	70.87 x 39.37 x 23.62
PP18108	1800 x 1000 x 800	70.87 x 39.37 x 31.50
PP18124	1800 x 1200 x 400	70.87 x 47.24 x 15.75
PP18125	1800 x 1200 x 500	70.87 x 47.24 x 19.69
PP18126	1800 x 1200 x 600	70.87 x 47.24 x 23.62
PP18128	1800 x 1200 x 800	70.87 x 47.24 x 31.50
PP18165	1800 x 1600 x 500	70.87 x 62.99 x 19.69
PP18166	1800 x 1600 x 600	70.87 x 62.99 x 23.62
PP18168	1800 x 1600 x 800	70.87 x 62.99 x 31.50
PP2046	2000 x 400 x 600	78.74 x 15.75 x 23.62
PP2064	2000 x 600 x 400	78.74 x 23.62 x 15.75
PP2065	2000 x 600 x 500	78.74 x 23.62 x 19.69
PP2066	2000 x 600 x 600	78.74 x 23.62 x 23.62
PP2068	2000 x 600 x 800	78.74 x 23.62 x 31.50
PP2084	2000 x 800 x 400	78.74 x 31.50 x 15.75
PP2085	2000 x 800 x 500	78.74 x 31.50 x 19.69
PP2086	2000 x 800 x 600	78.74 x 31.50 x 23.62
PP2088	2000 x 800 x 800	78.74 x 31.50 x 31.50
PP20105	2000 x 1000 x 500	78.74 x 39.37 x 19.69
PP20106	2000 x 1000 x 600	78.74 x 39.37 x 23.62
PP20108	2000 x 1000 x 800	78.74 x 39.37 x 31.50
PP20124	2000 x 1200 x 400	78.74 x 47.24 x 15.75
PP20125	2000 x 1200 x 500	78.74 x 47.24 x 19.69
PP20126	2000 x 1200 x 600	78.74 x 47.24 x 23.62
PP20128	2000 x 1200 x 800	78.74 x 47.24 x 31.50
PP20165	2000 x 1600 x 500	78.74 x 62.99 x 19.69
PP20166	2000 x 1600 x 600	78.74 x 62.99 x 23.62
PP20168	2000 x 1600 x 800	78.74 x 62.99 x 31.50
PP2266	2200 x 600 x 600	86.61 x 23.62 x 23.62
PP2268	2200 x 600 x 800	86.61 x 23.62 x 31.50
PP2286	2200 x 800 x 600	86.61 x 31.50 x 23.62
PP2288	2200 x 800 x 800	86.61 x 31.50 x 31.50
PP22105	2200 x 1000 x 500	86.61 x 39.37 x 19.69
PP22106	2200 x 1000 x 600	86.61 x 39.37 x 23.62
PP22125	2200 x 1200 x 500	86.61 x 47.24 x 19.69
PP22126	2200 x 1200 x 600	86.61 x 47.24 x 23.62
PP22128	2200 x 1200 x 800	86.61 x 47.24 x 31.50



HOFFMAN

2100 Hoffman Way, Anoka, MN 55303-1745 USA
(763) 421-2240 • Fax (763) 422-2600 • www.hoffmanonline.com
Customer Service (763) 422-2211



87782537

Application

PROLINE[®] Industrial Packages offer a full-featured, ready-to-use solution for protecting sensitive electronics in an industrial environment. The packages include a frame, solid front door, rear solid cover, solid top, gland plate, lifting eyes, and a full subpanel.

Latching System Patent: 5,642,909 (U.S.)

Construction

- Frames are a roll-formed, robotically welded design made of 12 gauge steel with solid steel, fully welded corners
- External sides, covers, and doors are 16 or 14 gauge steel
- Standard door bars increase strength and rigidity and allow for an extra mounting surface
- Seamless foam-in-place gasket provides a water-tight, dust-tight seal against moisture and contaminants
- Gasket and patented latching system together ensure a solid seal with low closure force
- Solid front doors equipped with a patented PROLINE latching system and keylocking flush swing handle
- Integral frame channels support the full weight of the subpanels
- Galvanized full subpanel
- Frames accommodate the 25mm DIN standard and include rectangular holes for clip nuts and thru holes for use with thread-forming screws

Finish

Enclosure finish is light gray RAL 7035 textured polyester powder paint with black accent color of RAL 9005 textured polyester powder paint.

Industry Standards

UL 508A, 508, File Number E61997:
Type 12
NEMA/EEMAC Type 12
CSA File Number LR42186: Type 12
VDE IP55
IEC 60529, IP55

Accessories

A full selection of accessories is available.