



## Type 12 Free-Stand Enclosures

### Free-Stand, Single or Dual Access, Type 12



#### Industry Standards

UL 508A Listed; Type 12; File No. E61997  
cUL Listed per CSA C22.2 No. 94; Type 12; File No. E61997

NEMA/EEMAC Type 12  
E.I.A. RS310D  
CSA, File No. 42186, Type 12  
IEC 60529, IP55

#### Application

Available with front or front and rear access, these Type 12 enclosures have sturdy unibody construction and flexible internal mounting options.

#### Specifications

- 12 gauge steel
- Seams continuously welded and ground smooth; no holes or knockouts
- Stiffeners on back of two-door enclosures maintain flatness and increase rigidity
- Lifting eyes for easy handling
- 3-point latches operated by oil-tight key-locking handle
- Latch rod rollers for easy door closing
- Heavy-gauge continuous hinges support each door
- Data pockets are high-impact thermoplastic
- Internal mounting channels welded horizontally to sides at top, bottom and center
- Optional panels and rack mount angles can be mounted anywhere along channels
- Oil-resistant door gasket
- Bonding provision on door
- Provision for mounting fluorescent light

#### Finish

White polyester powder paint inside with ANSI 61 gray polyester powder paint outside over pretreated surfaces. Optional panels and side-mounted panels have white enamel or conductive finish. Swing-out panels, rack mounting frames, heavy-duty panel supports and center panel supports are white.

#### Accessories

See also *Accessories*.

Plate Casters  
Electric Heater  
Door Stop Kit  
Compact Cooling Fans  
PANELITE™ Enclosure Lights Overview

#### Modification and Customization

Hoffman excels at modifying and customizing products to your specifications. Contact your local Hoffman sales office or distributor for complete information.

**Bulletin:** A30

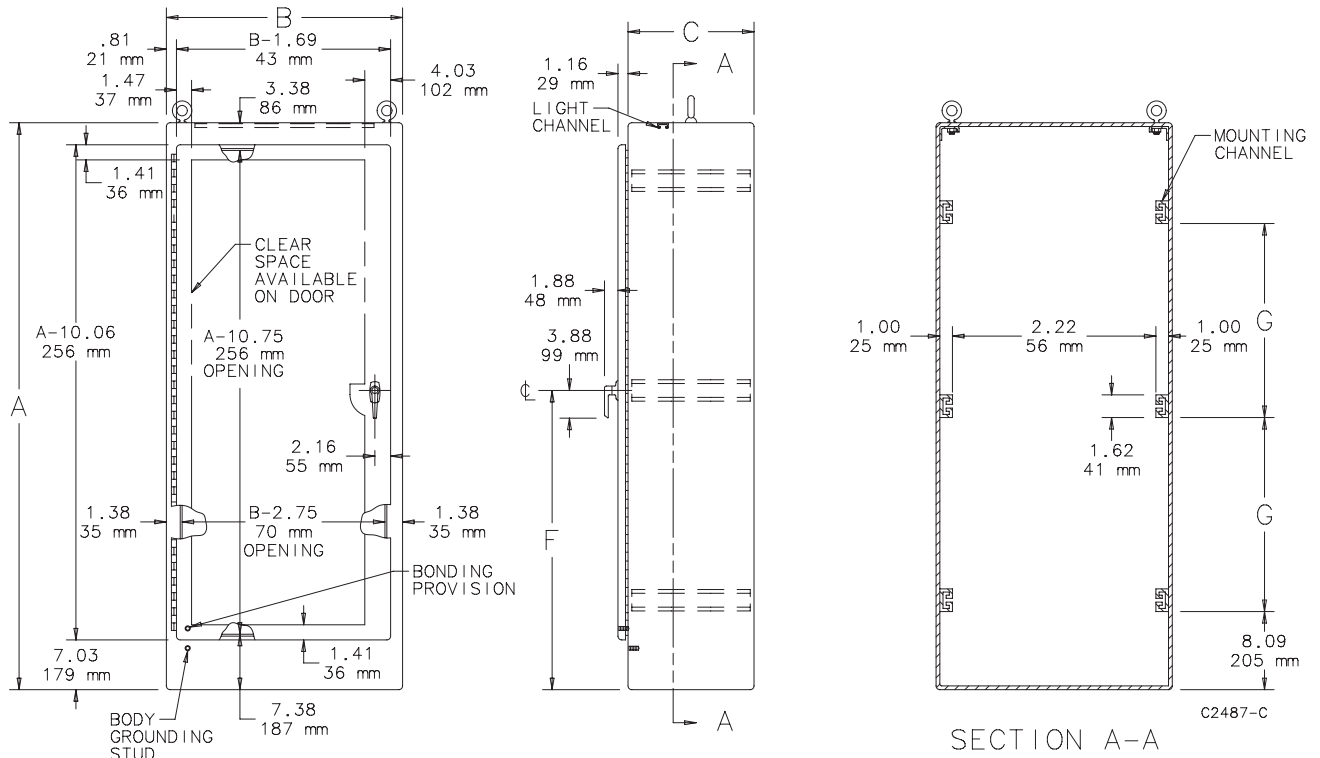


## Type 12 Free-Stand Enclosures

Standard Product **One-Door Single-Access**

Catalog Number	AxBxC in.	AxBxC mm	F (in.)	F (mm)	G (in.)	G (mm)	Number of Lifting Eyes	Number of Rack Units
A602418FS	60.06 x 24.06 x 18.06	1526 x 611 x 459	32.03	814	23.12	587	2	28
A722418FS	72.06 x 24.06 x 18.06	1830 x 611 x 459	38.03	966	29.12	740	2	35
A723018FS	72.06 x 30.06 x 18.06	1830 x 764 x 459	38.03	966	29.12	740	2	35
A723618FS	72.06 x 36.06 x 18.06	1830 x 916 x 459	38.03	966	29.12	740	2	35
A902420FS	90.06 x 24.06 x 20.06	2288 x 611 x 510	47.03	1195	38.12	968	2	45
A903620FS	90.06 x 36.06 x 20.06	2288 x 916 x 510	47.03	1195	38.12	968	2	45
A603624FS	60.06 x 36.06 x 24.06	1526 x 916 x 611	32.03	814	23.12	587	2	28
A722424FS	72.06 x 24.06 x 24.06	1830 x 611 x 611	38.03	966	29.12	740	2	35
A723024FS	72.06 x 30.06 x 24.06	1830 x 764 x 611	38.03	966	29.12	740	2	35
A723624FS	72.06 x 36.06 x 24.06	1830 x 916 x 611	38.03	966	29.12	740	2	35
A903624FS	90.06 x 36.06 x 24.06	2288 x 916 x 611	47.03	1195	38.12	968	2	45
A723630FS	72.06 x 36.06 x 30.06	1830 x 916 x 764	38.03	966	29.12	740	4	35
A723636FS	72.06 x 36.06 x 36.06	1830 x 916 x 916	38.03	966	29.12	740	4	35
A903636FS	90.06 x 36.06 x 36.06	2288 x 916 x 916	47.03	1195	38.12	968	4	45

One-Door Single-Access Free-Standing Type 12 Enclosures



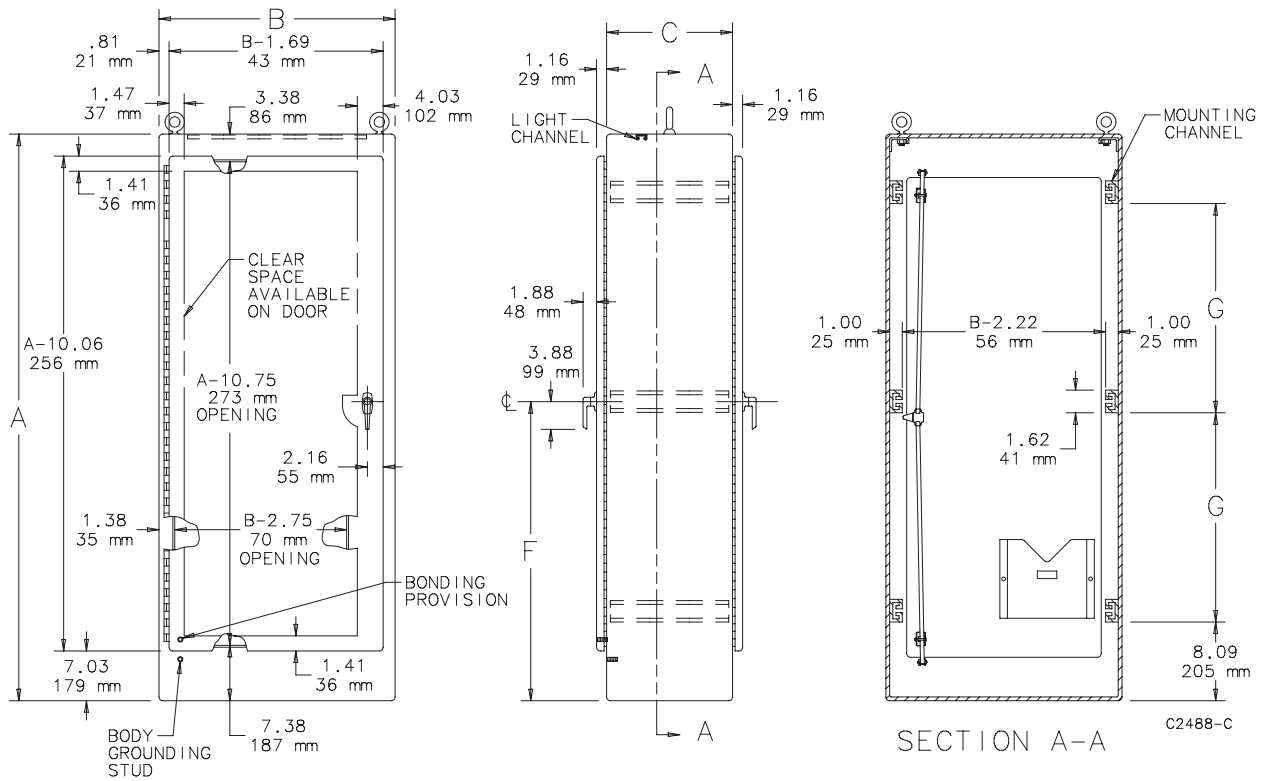
- NOTE:
1. Four lifting eyes are furnished if C=30.06 (764mm) or more.
  2. See General Accessories chapter for section view A-A showing accessories.
  3. Removable 12.00 x 12.00 (305mm x 305mm) data pocket.

## Type 12 Free-Stand Enclosures

Standard Product **One-Door Dual-Access**

Catalog Number	AxBxC in.	AxBxC mm	F (in.)	F (mm)	G (in.)	G (mm)	Number of Lifting Eyes	Number of Rack Units
A722424FSDA	72.06 x 24.06 x 24.06	1830 x 611 x 611	38.03	966	29.12	740	2	35
A723024FSDA	72.06 x 30.06 x 24.06	1830 x 764 x 611	38.03	966	29.12	740	2	35
A723624FSDA	72.06 x 36.06 x 24.06	1830 x 916 x 611	38.03	966	29.12	740	2	35
A903624FSDA	90.06 x 36.06 x 24.06	2288 x 916 x 611	47.03	1195	38.12	968	2	45
A722430FSDA	72.06 x 24.06 x 30.06	1830 x 611 x 764	38.03	966	29.12	740	4	35
A722436FSDA	72.06 x 24.06 x 36.06	1830 x 611 x 916	38.03	966	29.12	740	4	35
A723636FSDA	72.06 x 36.06 x 36.06	1830 x 916 x 916	38.03	966	29.12	740	4	35
A903636FSDA	90.06 x 36.06 x 36.06	2288 x 916 x 916	47.03	1195	38.12	968	4	45

One-Door Dual-Access Free-Standing Type 12 Enclosures



- NOTE:
1. Four lifting eyes are furnished if C=30.06 (764mm) or more.
  2. See General Accessories chapter for section view A-A showing accessories.
  3. Removable 12.00 x 12.00 (305mm x 305mm) data pocket.

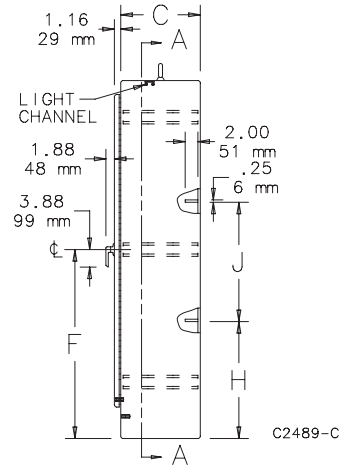
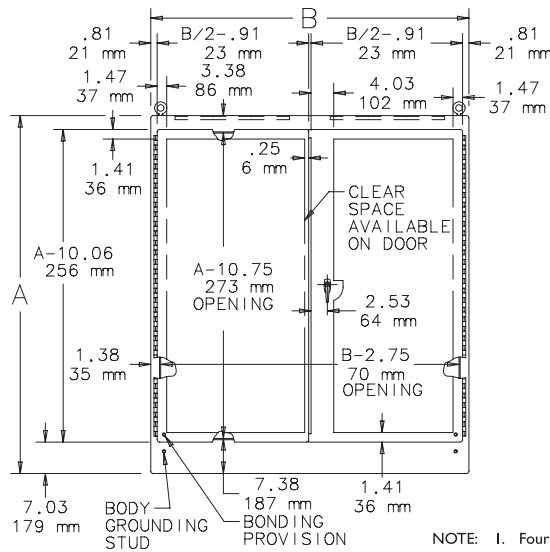


## Type 12 Free-Stand Enclosures

Standard Product **Two-Door Single-Access**

Catalog Number	AxBxC in.	AxBxC mm	F (in.)	F (mm)	G (in.)	G (mm)	H (in.)	H (mm)	J (in.)	J (mm)	Number of Lifting Eyes	Number of Rack Units
A604818FSD	60.06 x 48.06 x 18.06	1526 x 1221 x 472	32.03	814	23.12	587	19.88	505	20.03	509	2	28
A724818FSD	72.06 x 48.06 x 18.06	1830 x 1221 x 472	38.03	966	29.12	740	23.88	607	24.03	610	2	35
A726018FSD	72.06 x 60.06 x 18.06	1830 x 1526 x 472	38.03	966	29.12	740	23.88	607	24.03	610	2	35
A727218FSD	72.06 x 72.06 x 18.06	1830 x 1830 x 472	38.03	966	29.12	740	23.88	607	24.03	610	2	35
A904820FSD	90.06 x 48.06 x 20.06	2288 x 1221 x 510	47.03	1195	38.12	968	29.88	759	30.03	763	2	45
A907220FSD	90.06 x 72.06 x 20.06	2288 x 1830 x 510	47.03	1195	38.12	968	29.88	759	30.03	763	2	45
A724824FSD	72.06 x 48.06 x 24.06	1830 x 1221 x 611	38.03	966	29.12	740	23.88	607	24.03	610	2	35
A726024FSD	72.06 x 60.06 x 24.06	1830 x 1526 x 611	38.03	966	29.12	740	23.88	607	24.03	610	2	35
A727224FSD	72.06 x 72.06 x 24.06	1830 x 1830 x 611	38.03	966	29.12	740	23.88	607	24.03	610	2	35
A907224FSD	90.06 x 72.06 x 24.06	2288 x 1830 x 611	47.03	1195	38.12	968	29.88	759	30.03	763	2	45
A726036FSD	72.06 x 60.06 x 36.06	1830 x 1526 x 916	38.03	966	29.12	740	23.88	607	24.03	610	4	35
A907236FSD	90.06 x 72.06 x 36.06	2288 x 1830 x 916	47.03	1195	38.12	968	29.88	759	30.03	763	4	45

Two-Door Single-Access Free-Standing Type 12 Enclosures



- NOTE:
1. Four lifting eyes are furnished if C=30.06 (764mm) or more.
  2. See General Accessories chapter for section view A-A showing accessories.
  3. Removable 12.00 x 12.00 (305mm x 305mm) data pocket.
  4. Enclosure backs are 10 gauge.

