



## Type 12 Floor-Mount Enclosures

### Two-Door with Floor Stands, Type 12



#### Industry Standards

UL 508A Listed; Type 12; File No. E61997  
cUL Listed per CSA C22.2 No. 94; Type 12; File No. E61997

NEMA/EEMAC Type 12  
CSA, File No. 42186, Type 12  
IEC 60529, IP55

#### Application

Enclosures have gasketed, overlapping doors to keep the elements at bay and floor stands that provide additional height and access for cleaning under the enclosure. Because there is no centerpost, it is simple to install and remove panels.

#### Specifications

- Seams continuously welded and ground smooth; no holes or knockouts
- Gasketed overlapping doors with no centerpost
- 3-point latch mechanism operated by oil-tight key-lock handle
- Latch rod rollers for easy door closing
- Heavy-gauge continuous hinges support each door
- Data pocket is high-impact thermoplastic
- 12-in. floor stands welded to enclosure
- Heavy-duty lifting eyes
- Panel supports
- Oil-resistant gasket
- Collar studs for mounting optional panel
- Bonding provision on door
- Provision for mounting fluorescent light

#### Finish

White polyester powder paint inside with ANSI 61 gray polyester powder paint outside over pretreated surfaces. Optional panels have white or conductive finish.

#### Accessories

See also *Accessories*.  
Blower Fan Package  
Drip Shield Kit for Type 12 Enclosures  
INTERSAFE® Data Interface Ports, Type 4/4X/12  
PANELITE™ Enclosure Lights Overview

#### Modification and Customization

Hoffman excels at modifying and customizing products to your specifications. Contact your local Hoffman sales office or distributor for complete information.

Bulletin: A12L

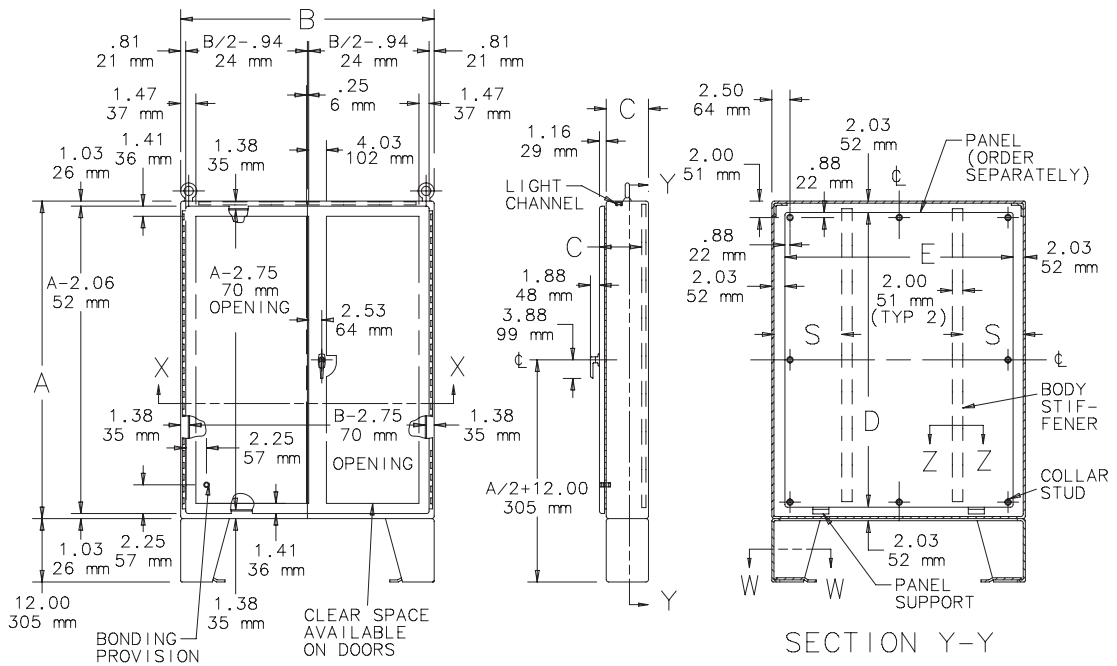
#### Standard Product

Catalog Number	AxBxC in.	AxBxC mm	Gauge	Panel	Conductive Panel	Panel Gauge	Panel Size D x E (in.)	Panel Size D x E (mm)	Stiffener (in.)	Stiffener (mm)	S (in.)	S (mm)
A544208LP	54.00 x 42.00 x 8.00	1372 x 1067 x 203	12	A54P42	A54P42G	12	50.00 x 38.00	1270 x 965	15.00	381	—	—
A604808LP	60.06 x 48.06 x 8.06	1526 x 1221 x 205	12	A60P48	A60P48G	10	56.00 x 44.00	1422 x 1118	15.00	381	15.92	404
A604810LP	60.06 x 48.06 x 10.06	1526 x 1221 x 256	12	A60P48	A60P48G	10	56.00 x 44.00	1422 x 1118	15.00	381	15.92	404
A606010LP	60.06 x 60.06 x 10.06	1526 x 1526 x 256	12	A60P60	A60P60G	10	56.00 x 56.00	1422 x 1422	21.00	533	19.92	506
A726010ULP	72.06 x 60.06 x 10.06	1830 x 1526 x 256	12	A72P60	A72P60G	10	68.00 x 56.00	1727 x 1422	21.00	533	19.92	506
A727210ULP	72.06 x 72.06 x 10.06	1830 x 1830 x 256	12	A72P72	A72P72G	10	68.00 x 68.00	1727 x 1727	24.00	610	23.92	608
A604812LP	60.06 x 48.06 x 12.06	1526 x 1221 x 306	12	A60P48	A60P48G	10	56.00 x 44.00	1422 x 1118	15.00	381	15.92	404
A606012LP	60.06 x 60.06 x 12.06	1526 x 1526 x 306	12	A60P60	A60P60G	10	56.00 x 56.00	1422 x 1422	21.00	533	19.92	506
A726012ULP	72.06 x 60.06 x 12.06	1830 x 1526 x 306	12	A72P60	A72P60G	10	68.00 x 56.00	1727 x 1422	21.00	533	19.92	506
A727212ULP	72.06 x 72.06 x 12.06	1830 x 1830 x 306	12	A72P72	A72P72G	10	68.00 x 68.00	1727 x 1727	24.00	610	23.92	608
A604816LP	60.06 x 48.06 x 16.06	1526 x 1221 x 408	12	A60P48	A60P48G	10	56.00 x 44.00	1422 x 1118	15.00	381	15.92	404
A606016LP	60.06 x 60.06 x 16.06	1526 x 1526 x 408	12	A60P60	A60P60G	10	56.00 x 56.00	1422 x 1422	21.00	533	19.92	506
A726016ULP	72.06 x 60.06 x 16.06	1830 x 1526 x 408	12	A72P60	A72P60G	10	68.00 x 56.00	1727 x 1422	21.00	533	19.92	506
A727216ULP	72.06 x 72.06 x 16.06	1830 x 1830 x 408	12	A72P72	A72P72G	10	68.00 x 68.00	1727 x 1727	24.00	610	23.92	608
A604820LP	60.06 x 48.06 x 20.06	1526 x 1221 x 510	12	A60P48	A60P48G	10	56.00 x 44.00	1422 x 1118	15.00	381	15.92	404
A726020ULP	72.06 x 60.06 x 20.06	1830 x 1526 x 510	12	A72P60	A72P60G	10	68.00 x 56.00	1727 x 1422	21.00	533	19.92	506
A727220ULP	72.06 x 72.06 x 20.06	1830 x 1830 x 510	12	A72P72	A72P72G	10	68.00 x 68.00	1727 x 1727	24.00	610	23.92	608
A604824LP	60.06 x 48.06 x 24.06	1526 x 1221 x 611	12	A60P48	A60P48G	10	56.00 x 44.00	1422 x 1118	15.00	381	15.92	404
A606024LP	60.06 x 60.06 x 24.06	1526 x 1526 x 611	12	A60P60	A60P60G	10	56.00 x 56.00	1422 x 1422	21.00	533	19.92	506
A726024ULP	72.06 x 60.06 x 24.06	1830 x 1526 x 611	12	A72P60	A72P60G	10	68.00 x 56.00	1727 x 1422	21.00	533	19.92	506
A727224ULP	72.06 x 72.06 x 24.06	1830 x 1830 x 611	12	A72P72	A72P72G	10	68.00 x 68.00	1727 x 1727	24.00	610	23.92	608

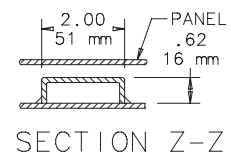
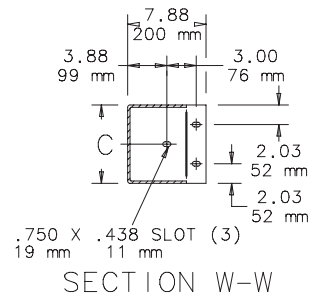
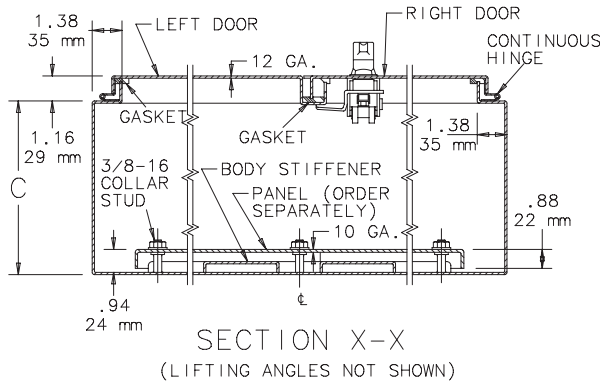
Purchase panels separately.



### Type 12 Floor-Mount Enclosures



NOTE: 1. Right door has removable 12.00 x 12.00 (305mm x 305mm) data pocket.



C2485-C