



Type 12 Free-Stand Enclosures

Free-Stand, Single or Dual Access, Type 12



Industry Standards

UL 508A Listed; Type 12; File No. E61997
cUL Listed per CSA C22.2 No. 94; Type 12; File No. E61997

NEMA/EEMAC Type 12
E.I.A. RS310D
CSA, File No. 42186, Type 12
IEC 60529, IP55

Application

Available with front or front and rear access, these Type 12 enclosures have sturdy unibody construction and flexible internal mounting options.

Specifications

- 12 gauge steel
- Seams continuously welded and ground smooth; no holes or knockouts
- Stiffeners on back of two-door enclosures maintain flatness and increase rigidity
- Lifting eyes for easy handling
- 3-point latches operated by oil-tight key-locking handle
- Latch rod rollers for easy door closing
- Heavy-gauge continuous hinges support each door
- Data pockets are high-impact thermoplastic
- Internal mounting channels welded horizontally to sides at top, bottom and center
- Optional panels and rack mount angles can be mounted anywhere along channels
- Oil-resistant door gasket
- Bonding provision on door
- Provision for mounting fluorescent light

Finish

White polyester powder paint inside with ANSI 61 gray polyester powder paint outside over pretreated surfaces. Optional panels and side-mounted panels have white enamel or conductive finish. Swing-out panels, rack mounting frames, heavy-duty panel supports and center panel supports are white.

Accessories

See also *Accessories*.

Plate Casters
Electric Heater
Door Stop Kit
Compact Cooling Fans
PANELITE™ Enclosure Lights Overview

Modification and Customization

Hoffman excels at modifying and customizing products to your specifications. Contact your local Hoffman sales office or distributor for complete information.

Bulletin: A30

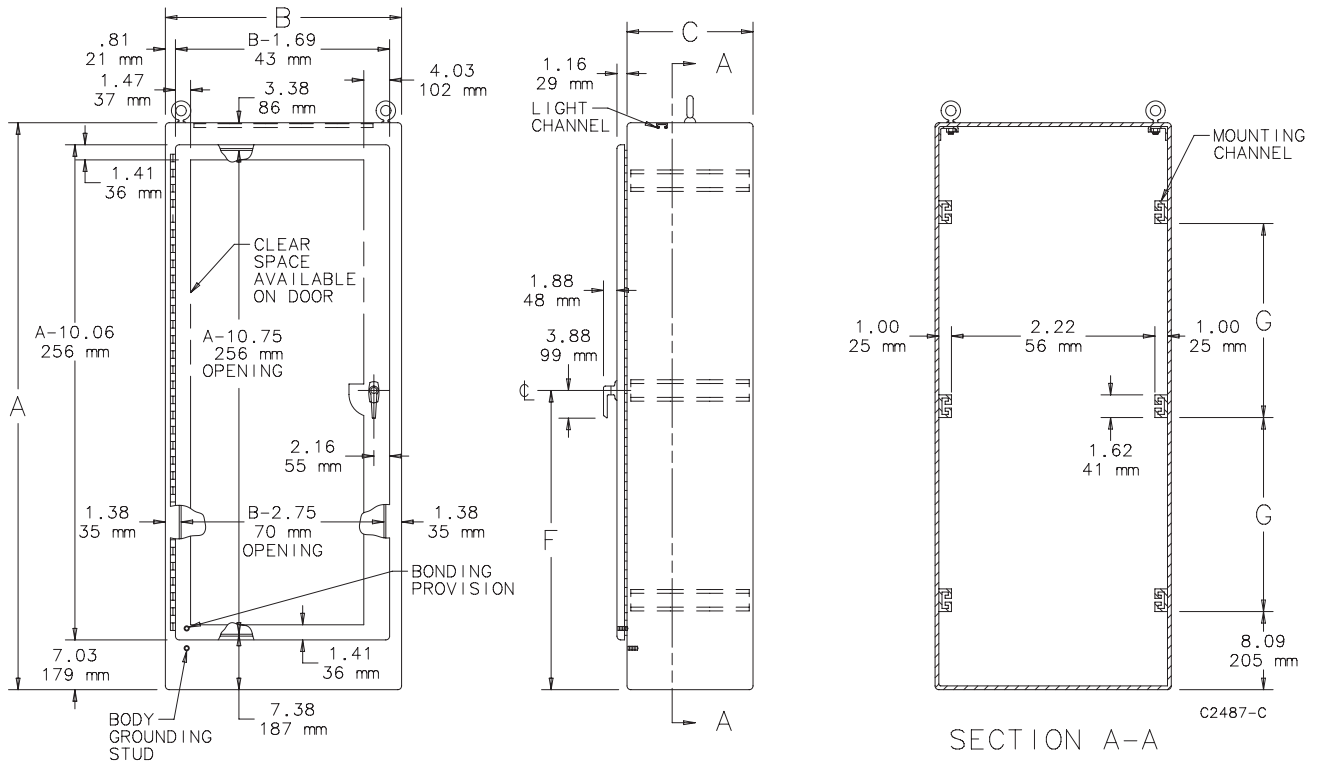


Type 12 Free-Stand Enclosures

Standard Product **One-Door Single-Access**

| Catalog Number | AxBxC in. | AxBxC mm | F (in.) | F (mm) | G (in.) | G (mm) | Number of Lifting Eyes | Number of Rack Units |
|----------------|-----------------------|------------------|---------|--------|---------|--------|------------------------|----------------------|
| A602418FS | 60.06 x 24.06 x 18.06 | 1526 x 611 x 459 | 32.03 | 814 | 23.12 | 587 | 2 | 28 |
| A722418FS | 72.06 x 24.06 x 18.06 | 1830 x 611 x 459 | 38.03 | 966 | 29.12 | 740 | 2 | 35 |
| A723018FS | 72.06 x 30.06 x 18.06 | 1830 x 764 x 459 | 38.03 | 966 | 29.12 | 740 | 2 | 35 |
| A723618FS | 72.06 x 36.06 x 18.06 | 1830 x 916 x 459 | 38.03 | 966 | 29.12 | 740 | 2 | 35 |
| A902420FS | 90.06 x 24.06 x 20.06 | 2288 x 611 x 510 | 47.03 | 1195 | 38.12 | 968 | 2 | 45 |
| A903620FS | 90.06 x 36.06 x 20.06 | 2288 x 916 x 510 | 47.03 | 1195 | 38.12 | 968 | 2 | 45 |
| A603624FS | 60.06 x 36.06 x 24.06 | 1526 x 916 x 611 | 32.03 | 814 | 23.12 | 587 | 2 | 28 |
| A722424FS | 72.06 x 24.06 x 24.06 | 1830 x 611 x 611 | 38.03 | 966 | 29.12 | 740 | 2 | 35 |
| A723024FS | 72.06 x 30.06 x 24.06 | 1830 x 764 x 611 | 38.03 | 966 | 29.12 | 740 | 2 | 35 |
| A723624FS | 72.06 x 36.06 x 24.06 | 1830 x 916 x 611 | 38.03 | 966 | 29.12 | 740 | 2 | 35 |
| A903624FS | 90.06 x 36.06 x 24.06 | 2288 x 916 x 611 | 47.03 | 1195 | 38.12 | 968 | 2 | 45 |
| A723630FS | 72.06 x 36.06 x 30.06 | 1830 x 916 x 764 | 38.03 | 966 | 29.12 | 740 | 4 | 35 |
| A723636FS | 72.06 x 36.06 x 36.06 | 1830 x 916 x 916 | 38.03 | 966 | 29.12 | 740 | 4 | 35 |
| A903636FS | 90.06 x 36.06 x 36.06 | 2288 x 916 x 916 | 47.03 | 1195 | 38.12 | 968 | 4 | 45 |

One-Door Single-Access Free-Standing Type 12 Enclosures



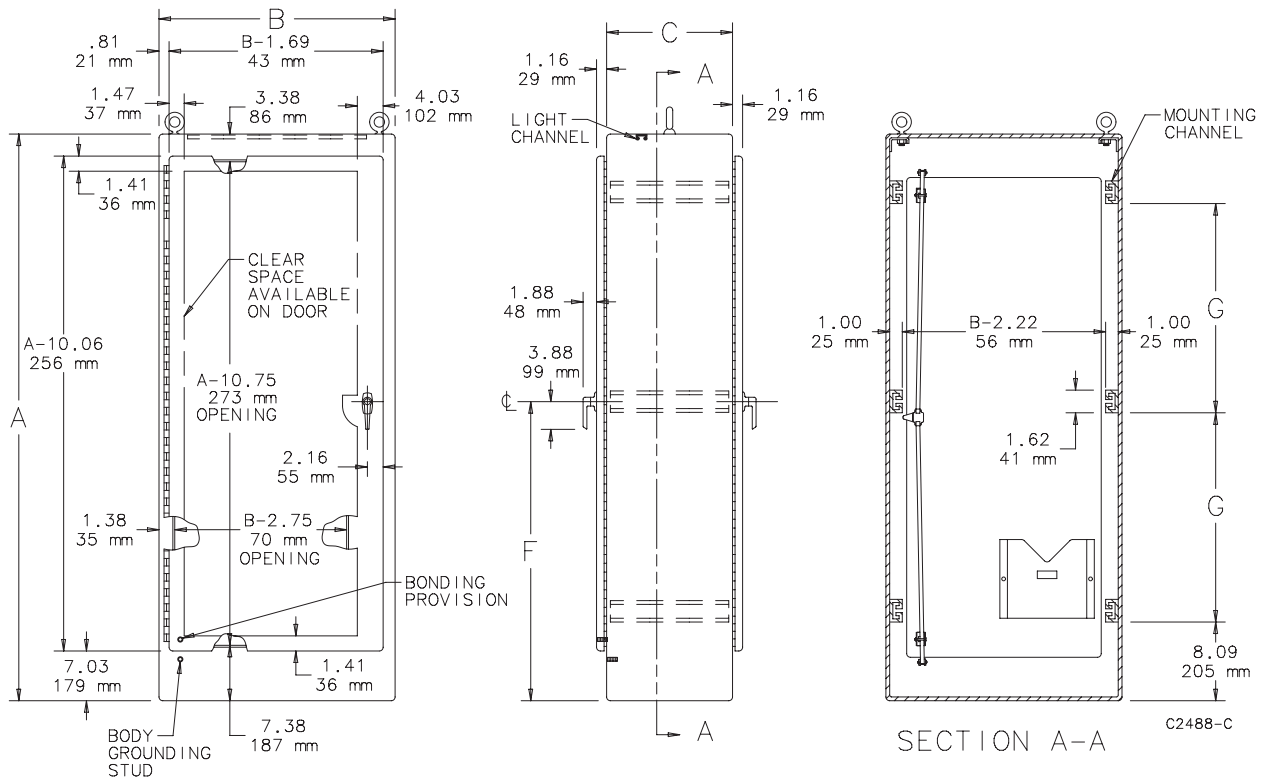
- NOTE:
- Four lifting eyes are furnished if C=30.06 (764mm) or more.
 - See General Accessories chapter for section view A-A showing accessories.
 - Removable 12.00 x 12.00 (305mm x 305mm) data pocket.

Type 12 Free-Stand Enclosures

Standard Product **One-Door Dual-Access**

| Catalog Number | AxBxC in. | AxBxC mm | F (in.) | F (mm) | G (in.) | G (mm) | Number of Lifting Eyes | Number of Rack Units |
|----------------|-----------------------|------------------|---------|--------|---------|--------|------------------------|----------------------|
| A722424FSDA | 72.06 x 24.06 x 24.06 | 1830 x 611 x 611 | 38.03 | 966 | 29.12 | 740 | 2 | 35 |
| A723024FSDA | 72.06 x 30.06 x 24.06 | 1830 x 764 x 611 | 38.03 | 966 | 29.12 | 740 | 2 | 35 |
| A723624FSDA | 72.06 x 36.06 x 24.06 | 1830 x 916 x 611 | 38.03 | 966 | 29.12 | 740 | 2 | 35 |
| A903624FSDA | 90.06 x 36.06 x 24.06 | 2288 x 916 x 611 | 47.03 | 1195 | 38.12 | 968 | 2 | 45 |
| A722430FSDA | 72.06 x 24.06 x 30.06 | 1830 x 611 x 764 | 38.03 | 966 | 29.12 | 740 | 4 | 35 |
| A722436FSDA | 72.06 x 24.06 x 36.06 | 1830 x 611 x 916 | 38.03 | 966 | 29.12 | 740 | 4 | 35 |
| A723636FSDA | 72.06 x 36.06 x 36.06 | 1830 x 916 x 916 | 38.03 | 966 | 29.12 | 740 | 4 | 35 |
| A903636FSDA | 90.06 x 36.06 x 36.06 | 2288 x 916 x 916 | 47.03 | 1195 | 38.12 | 968 | 4 | 45 |

One-Door Dual-Access Free-Standing Type 12 Enclosures



- NOTE:
1. Four lifting eyes are furnished if C=30.06 (764mm) or more.
 2. See General Accessories chapter for section view A-A showing accessories.
 3. Removable 12.00 x 12.00 (305mm x 305mm) data pocket.

