

Performance Data **SF04 16 CFM (28 m³/hr.) Side-Mount Filter Fan**

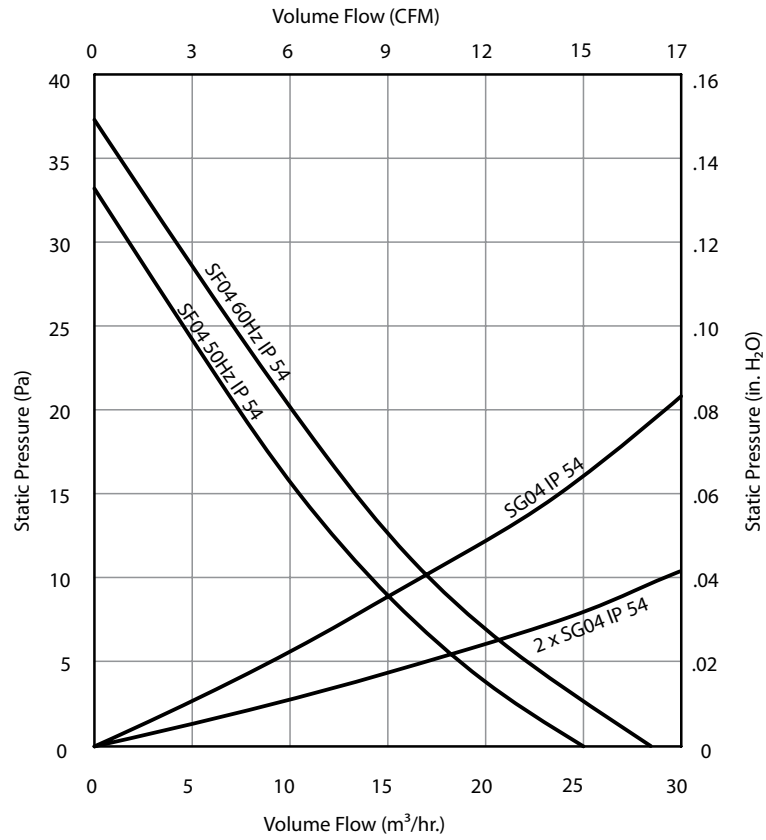
| ELECTRICAL DATA | | | | |
|--|-------------------------------------|------------------|------------------|------------------|
| Rated Voltage | 115 | 230 | 24 | 48 |
| Frequency (Hz) | 50 / 60 | 50 / 60 | — | — |
| Nominal Current Maximum (Amps) | 1.40/1.20 | 0.70 | 1.00 | 0.54 |
| Power Consumption Maximum (Watts) | 12 / 11 | 12 | 2.2 | 2.6 |
| Power Connection | Lead Wires | | | |
| TYPE 12 / IP54 FILTER FANS | | | | |
| RAL 7035 Light Gray: | | | | |
| Catalog Number | SF0416414 | SF0426414 | SF0424414 | SF0448414 |
| RAL 9011 Black: | | | | |
| Catalog Number | SF0416413 | SF0426413 | SF0424413 | SF0448413 |
| Free Airflow (CFM / m ³ /hr.) | 16 / 28 | 16 / 28 | 16 / 28 | 16 / 28 |
| Airflow with 1 Exhaust Grille (CFM / m ³ /hr.) | 10/17 | 10/17 | 10/17 | 10/17 |
| Airflow with 2 Exhaust Grilles (CFM / m ³ /hr.) | 12/21 | 12 / 21 | 12 / 21 | 12 / 21 |
| FILTER FAN UNIT CONSTRUCTION | | | | |
| Fan RPM | 2700 / 3200 | 2700 / 3200 | 3300 | 3300 |
| Sound Pressure (dBA) | 30 | 30 | 36 | 36 |
| Operating Temperature Range: | | | | |
| Maximum (°F / °C) | 131 / 55 | 131 / 55 | 149 / 65 | 149 / 65 |
| Minimum (°F / °C) | 14 / -10 | 14 / -10 | -4 / -20 | -4 / -20 |
| Service Life (hours) | 37,500 | 37,500 | 70,000 | 70,000 |
| Unit Dimensions - H x W x D (in. / mm) | 4.13 x 4.13 x 2.17 / 105 x 105 x 55 | | | |
| Cutout Dimensions - H x W (in. / mm) | 3.62 x 3.62 / 92 x 92 | | | |
| Weight (lb. / kg) | .73 / .33 | | | |
| TYPE 12 / IP54 EXHAUST GRILLES | | | | |
| RAL 7035 Light Gray: | | | | |
| Catalog Number | SG0400404 | | | |
| RAL 9011 Black: | | | | |
| Catalog Number | SG0400403 | | | |
| ACCESSORIES | | | | |
| Replacement Filters: | | | | |
| Type 12 / IP54 Catalog Number | 10100059H | | | |
| Thermostat Catalog Number | TWR60 | | | |

Above airflow rates at 60 Hz; see performance curves for airflow at 50 Hz and more details.

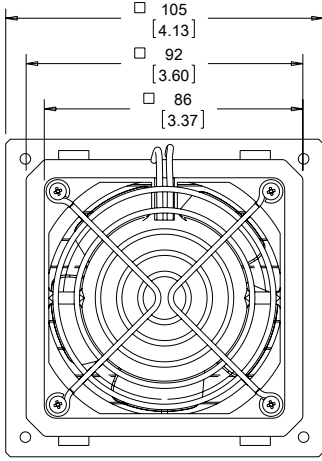
Unit depth is from the back edge of the grille to the back of the fan.

Exhaust Grilles sold separately.

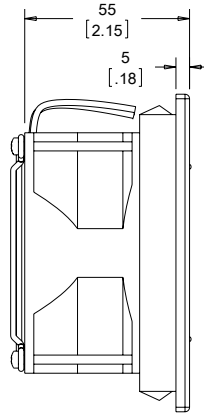
SF04 16 CFM (28 m³/hr.) Side-Mount Filter Fan
Performance Curve



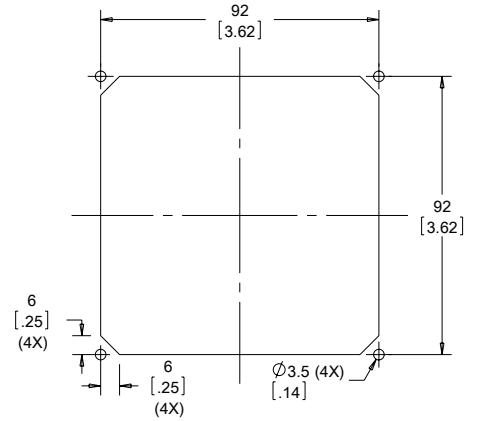
Filter Fan, SF04 16 CFM (28m³/hr.)



BACK VIEW

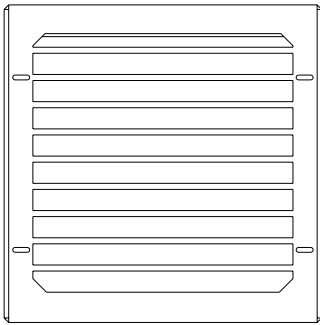


SIDE VIEW

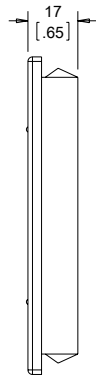


CUTOUT DIMENSIONS

EXHAUST GRILLE



Order Exhaust Grille Kits separately



89051142

Visit www.HoffmanOnline.com to download 2D and 3D CAD drawings into the overall design of your electronic system.