

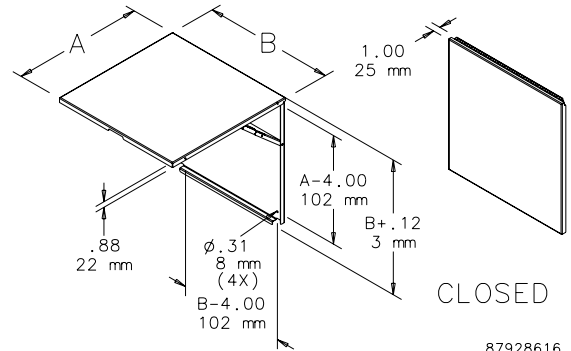
### STAINLESS STEEL FOLDING SHELF



Supports instruments and test equipment used to install and maintain electrical components in an enclosure. Also ideally suited for supporting laptop computers, monitoring units and other equipment used with programmable controllers. The shelf can be installed on the inside or outside surface of larger Hoffman industrial enclosures (except PROLINE™). Automatically locks in the horizontal position when raised. When not in use, the shelf folds down and projects only 1 in. (25 mm) from the mounting surface. Constructed of 304 stainless steel with a brushed finish. Maintains UL/CSA Type 4, 4X and 12 rating when properly installed on a Hoffman enclosure.

BULLETIN: A80

Catalog Number	Size Ax B in./mm	Maximum Distributed Load Rating (lb.)	Maximum Distributed Load Rating (kg)
ACSHELF12	12.00 x 12.00 305 x 305	150	68
ACSHELF1212SS	12.00 x 12.00 305 x 305	150	68
ACSHELF1818SS	18.00 x 18.00 457 x 457	150	68
ACSHELF2424SS	24.00 x 24.00 610 x 610	150	68



### LARGE FOLDING SHELF

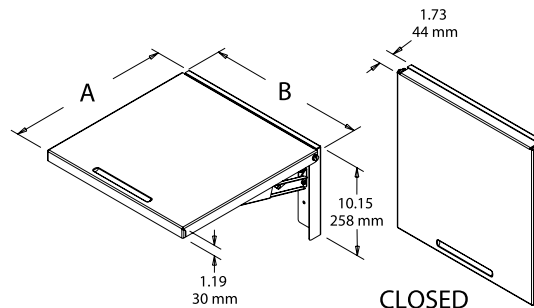


Supports instruments and test equipment used to install and maintain electrical components in an enclosure. Also ideally suited for supporting laptop computers, monitoring units and other equipment used with programmable controllers. The shelf can be installed on the inside or outside surface of larger Hoffman industrial enclosures (except PROLINE™). Automatically locks in the horizontal position when raised. When not in use, the shelf folds down to 1.73 in. (44 mm) from the mounting surface. All parts are heavy gauge steel. Maintains UL/CSA Type 4 and 12 when properly installed on a Hoffman enclosure.

BULLETIN: A34Y. A80

Catalog Number	Size Ax B in./mm	Maximum Distributed Load Rating (lb.)	Maximum Distributed Load Rating (kg)	Finish
AASHLF1218	18.00 x 12.00 457 x 305	150	68	White
AA61SHLF1218	18.00 x 12.00 457 x 305	150	68	Gray
AA35SHLF1218	18.00 x 12.00 457 x 305	150	68	Light gray
AASHLF1818	18.00 x 18.00 457 x 457	150	68	White
AA61SHLF1818	18.00 x 18.00 457 x 457	150	68	Gray
AA35SHLF1818	18.00 x 18.00 457 x 457	150	68	Light gray
AASHLF2424	24.00 x 24.00 610 x 610	150	68	White
AA61SHLF2424	24.00 x 24.00 610 x 610	150	68	Gray
AA35SHLF2424	24.00 x 24.00 610 x 610	150	68	Light gray

Catalog numbers ACSHELF12 and ACSHELF18 have been obsoleted. Please use the shelves above as replacements.



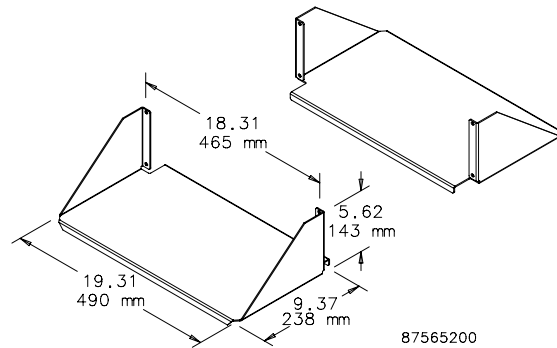
### DOUBLE-SIDED SOLID ALUMINUM SHELF

Mounts on 19-in. open frame rack. Two shelves form double-sided shelf. Uses 4U rack space. Made of 0.090-in. thick aluminum with brushed finish.

Maximum load rating: 100 lb. (45.4 kg) per side, 200 lb. (90.7 kg) total

BULLETIN: DACCY

Catalog Number	H x W x D in./mm	Fits Rack	Includes	Rack Units
ESHDA19	5.62 x 19.31 x 9.37 143 x 490 x 238	19 in.	2 shelves	4



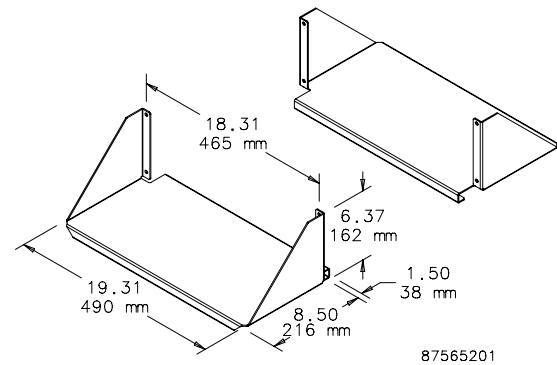
### DOUBLE-SIDED, SOLID ALUMINUM, HEAVY DUTY SHELF

Mounts on open frame rack. Two shelves form double-sided shelf. Uses 4U rack space. Made of 0.090-in. thick aluminum with brushed finish.

Maximum Load Rating: 150 lb. (68.0 kg) per side, 300 lb. (136.1 kg) total

BULLETIN: DACCY

Catalog Number	H x W x D in./mm	Fits Rack	Includes	Rack Units
ESHDHA19	6.37 x 19.31 x 10.00 162 x 490 x 254	19 in.	2 shelves	4



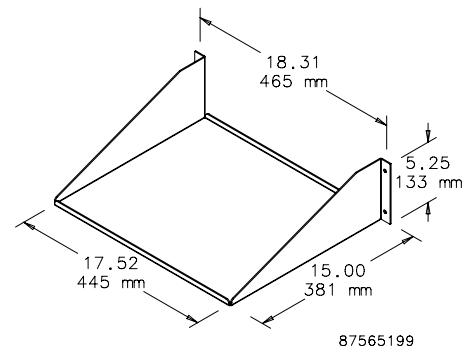
### SINGLE-SIDED SOLID ALUMINUM SHELF

Mounts in a cabinet or on a 19-in. open-frame rack and can be wall mounted. Made of 0.090-in. thick aluminum with brushed finish.

Maximum load rating: 100 lb. (45.4 kg)

BULLETIN: DACCY

Catalog Number	H x W x D in./mm	Fits Rack	Rack Units
ESHA19	5.25 x 18.31 x 15.00 133 x 465 x 381	19 in.	3



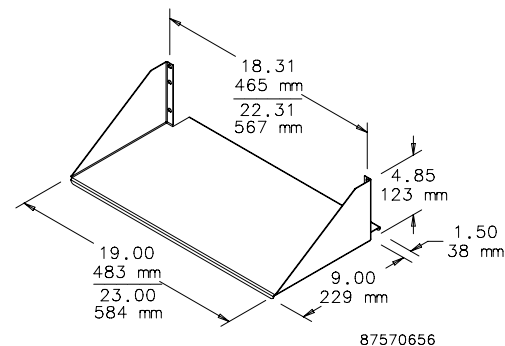
### SINGLE-SIDED SOLID-STEEL SHELF

Solid shelf mounts to either front or rear flange of open-frame rack. Uses 3U of rack space. Steel with textured black finish.

Load rating: 150 lb. (68.0 kg)

BULLETIN: DACCY

Catalog Number	H x W x D in./mm	Fits Rack	Rack Units
ESH19S	4.85 x 19.00 x 10.50 123 x 483 x 267	19 in.	3
ESH23S	4.85 x 23.00 x 10.50 123 x 584 x 267	23 in.	3

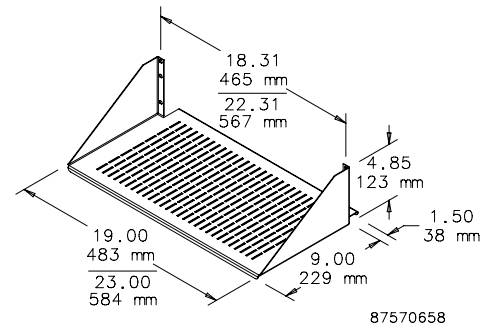


### SINGLE-SIDED STEEL VENTED SHELF

Vented shelf mounts to either front or rear flange of open-frame rack. Steel with textured black polyester powder paint finish. Load rating: 150 lb. (68.0 kg)

BULLETIN: DACCY

Catalog Number	H x W x D in./mm	Fits Rack	Rack Units
ESH19V	4.85 x 19.00 x 10.50 123 x 483 x 267	19 in.	3
ESH23V	4.85 x 23.00 x 10.50 123 x 584 x 267	23 in.	3

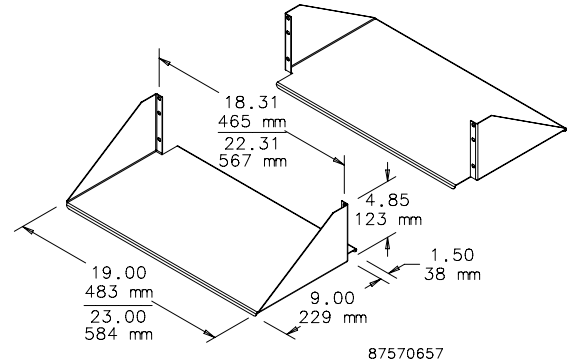


### DOUBLE-SIDED SOLID-STEEL SHELF

Solid double-deep shelf mounts to both front and rear flanges of open frame rack. Steel with textured black polyester powder paint finish. Load rating: 300 lb. (136.1 kg)

BULLETIN: DACCY

Catalog Number	H x W x D in./mm	Fits Rack	Rack Units
ESHD19	4.85 x 19.00 x 10.50 123 x 483 x 267	19 in.	3
ESHD23	4.85 x 23.00 x 10.50 123 x 584 x 267	23 in.	3



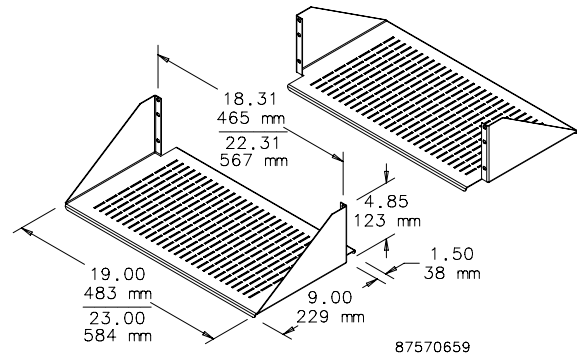
### DOUBLE-SIDED STEEL VENTED SHELF

Vented, double-deep shelf mounts to both front and rear flanges of open frame rack. Steel with textured black polyester powder paint finish. Load rating: 300 lb. (136.1 kg)

Load rating: 300 lb. (136.1 kg)

BULLETIN: DACCY

Catalog Number	H x W x D in./mm	Fits Rack	Rack Units
ESHDV19	4.85 x 19.00 x 10.50 123 x 483 x 267	19 in.	3
ESHDV23	4.85 x 23.00 x 10.50 123 x 584 x 267	23 in.	3

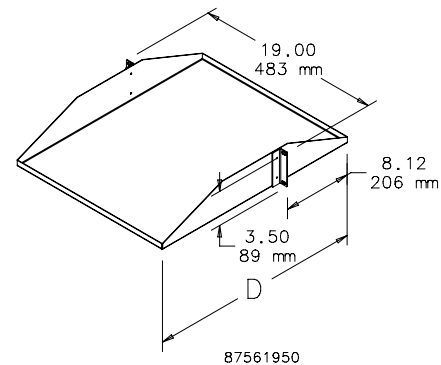


### CENTER-MOUNT STEEL SHELVES

19-in. shelf mounts to the front of the rack. Ideal for supporting monitors or computers. Designed to evenly distribute load across the rack. Manufactured from 16 gauge steel. Black, low-gloss, light-textured polyester powder paint finish on all surfaces. Load rating: 100 lb. (45.4 kg)

BULLETIN: DOFRC

Catalog Number	H x W x D in./mm	Style	Rack Units
ECMS1918	3.50 x 19.00 x 18.00 89 x 483 x 457	Solid	2
ECMS1922	3.50 x 19.00 x 22.00 89 x 483 x 559	Solid	2
ECMSV1918	3.50 x 19.00 x 18.00 89 x 483 x 457	Vented	2
ECMSV1922	3.50 x 19.00 x 22.00 89 x 483 x 559	Vented	2

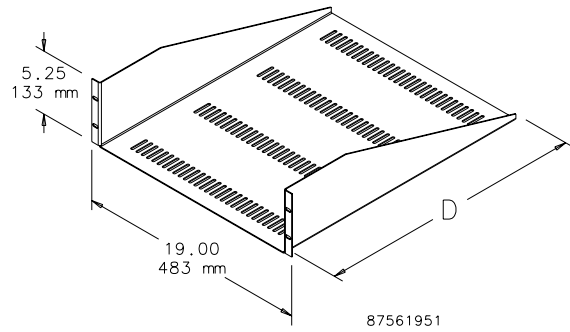


### RACK-MOUNT STEEL SHELF

19-in. Rack-Mount Shelf mounts to the front of the rack. Ideal for holding non-19-in. rack-mount equipment. Available with or without vents. Manufactured from 16 gauge steel. Black, low-gloss, lightly textured finish on all surfaces. Load rating: 100 lb. (45.4 kg)

**BULLETIN: DOFRC**

Catalog Number	H x W x D in./mm	Style	Rack Units
EMS1918	5.25 x 19.00 x 18.00 133 x 483 x 457	Solid	3
EMS1922	5.25 x 19.00 x 22.00 133 x 483 x 559	Solid	3
EMSV1918	5.25 x 19.00 x 18.00 133 x 483 x 457	Vented	3
EMSV1922	5.25 x 19.00 x 22.00 133 x 483 x 559	Vented	3

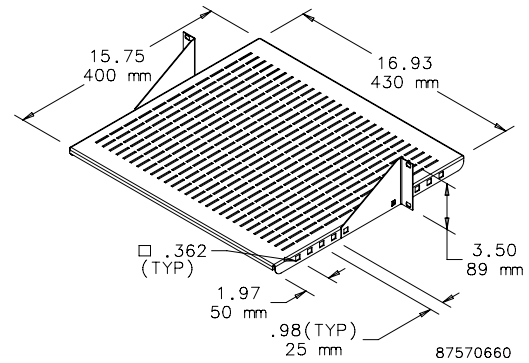


### ADJUSTABLE STEEL VENTED SHELF

Vented shelf adjustable front to back in 25-mm increments. Shelf mounts to either front or rear flange of open frame rack. Steel with textured black polyester powder paint finish. Load rating: 60 lb. (27.2 kg)

**BULLETIN: DACCY**

Catalog Number	H x W x D in./mm	Fits Rack	Rack Units
ESHVA19	3.50 x 16.93 x 15.75 89 x 430 x 400	19 in.	2
ESHVA23	3.50 x 19.93 x 15.75 89 x 506 x 400	23 in.	2

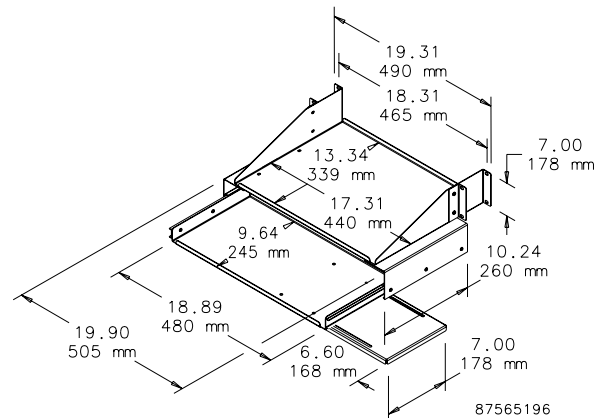


### PULLOUT KEYBOARD TRAY WITH MONITOR SHELF

Mounts to the front and back surfaces of a standard 3-in. open frame rack. Fits full-size keyboard. Includes mouse tray. Extends 10.5 in. (267 mm) beyond front of open frame rack. Keyboard tray slides out an additional 7 in. (178 mm). Uses 4U rack space. 16 gauge steel with RAL 9005 black polyester powder paint finish. Monitor shelf load rating: 100 lb. (45.4 kg)

**BULLETIN: DACCY**

Catalog Number	H x W x D in./mm	Fits Rack	Rack Units
E19SKBM	7.00 x 19.90 x 10.24 178 x 505 x 260	19 in.	4

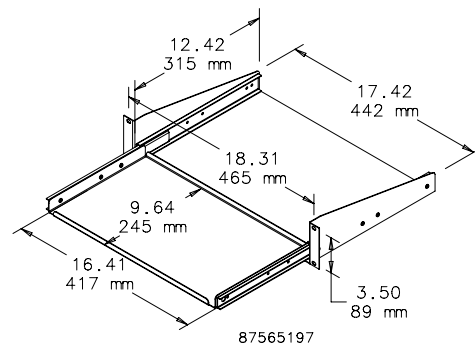


### PULL-OUT SHELF FOR MINI KEYBOARD

Pull-Out Shelf for Mini Keyboard mounts either in a cabinet or on a 19-in. open-frame rack and fits a 16.25-in. (413-mm) wide keyboard. When closed, all parts slide between rack angles. Keyboard tray slides out 8.94 in. (227 mm). 16 gauge steel with RAL 9005 black polyester powder paint finish.

**BULLETIN: DACCY**

Catalog Number	H x W x D in./mm	Fits Rack	Rack Units
P19KBSM	3.50 x 18.31 x 12.42 89 x 465 x 315	19 in.	2

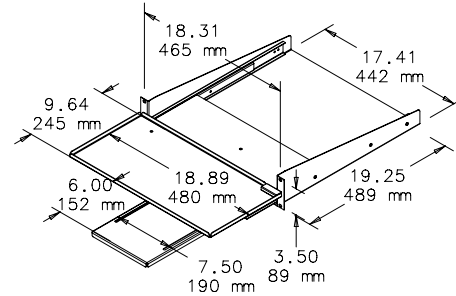


### PIVOTING KEYBOARD SHELF WITH MOUSE TRAY

Mounts either in a cabinet or on a 19-in. open-frame rack. Shelf pulls out and pivots 90 degrees to access full-size keyboard. Shelf allows keyboard to slide between standard rack angles and includes mouse tray. 16 gauge steel with RAL 9005 black polyester powder paint finish. Keyboard tray extends 9.75 in. (248 mm) beyond front of rack angles or open-frame rack.

BULLETIN: DACCY

Catalog Number	H x W x D in./mm	Fits Rack	Rack Units
P19KBPVT	3.50 x 18.89 x 19.25 89 x 480 x 489	19 in.	2



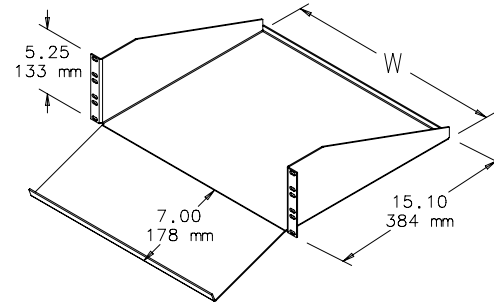
87565198

### STEEL KEYBOARD/MONITOR SHELF

Designed to accommodate a monitor and keyboard in an ergonomically engineered design. Shelf mounts to front flange of open-frame rack. Can mount in a cabinet if rack angles are adjusted back for door clearance. Uses 3U of rack space. 19-in. and 23-in. rack versions. Steel with textured black finish. Load rating: 200 lb. (91 kg)

BULLETIN: DACCY

Catalog Number	H x W x D in./mm	Fits Rack	Rack Units
ESH19KBM	5.25 x 17.38 x 15.10 133 x 441 x 384	19	3
ESH23KBM	5.25 x 21.38 x 15.10 133 x 543 x 384	23	3



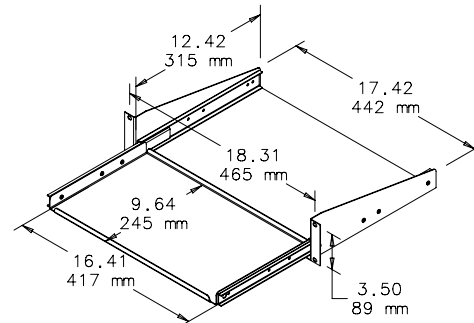
87570641

### PULL-OUT SHELF FOR MINI KEYBOARD

Pull-Out Shelf for Mini Keyboard mounts either in a cabinet or on a 19-in. open-frame rack and fits a 16.25-in. (413-mm) wide keyboard. When closed, all parts slide between rack angles. Keyboard tray slides out 8.94 in. (227 mm). 16 gauge steel with RAL 9005 black polyester powder paint finish.

BULLETIN: DACCY

Catalog Number	H x W x D in./mm	Fits Rack	Rack Units
P19KBSM	3.50 x 18.31 x 12.42 89 x 465 x 315	19 in.	2



87565197

### TOOL-LESS SHELF

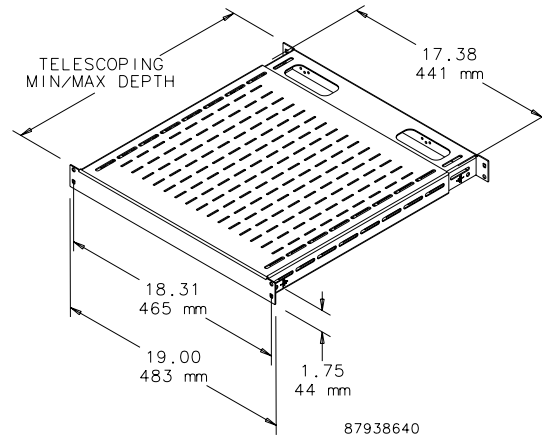


An easy-to-install tool-less vented 19-in. shelf. Mounts onto rack angles that have EIA-spaced square holes (.375 in.). Shelf slides open and provides a variable-sized, continuous surface for equipment. Back of shelf has oval cutouts for power and data cables. Accessory hole patterns at back of shelf fit small and large D-rings to help manage cable. Made of steel with a 150 lb. (68 kg) static load rating. Available with RAL 9005 black or RAL 7035 gray polyester powder coat finish.

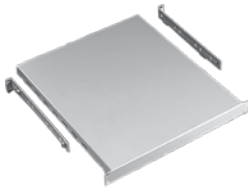
**BULLETIN: DACCY**

Catalog Number	Description	Finish	Minimum Depth mm/in.	Maximum Depth mm/in.
D19FVT69B	Shelf, vented, 19 in. tool-less	Black	495 19.50	851 33.50
D19FVT69G	Shelf, vented, 19 in. tool-less	Gray	495 19.50	851 33.50
D19FVT912B	Shelf, vented, 19 in. tool-less	Black	792 31.20	1151 45.30
D19FVT912G	Shelf, vented, 19 in. tool-less	Gray	792 31.20	1151 45.30

Minimum and maximum depth measured from rack angle to rack angle.

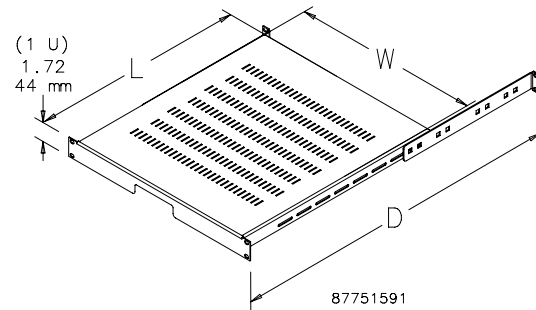


### RACK-MOUNT ADJUSTABLE SHELF



Mounts to front surface of front and back rack angles. Shelf is made of painted 14 gauge steel and the adjustable support brackets are clear-plated 12 gauge steel. Adjustable to fit multiple-depth enclosures or rack angle placement. Both solid and vented models available. Fits 19- or 23-in. rack spacing. Requires only 1U of rack space. Shelf has RAL 7035 light-gray textured or RAL 9005 black textured polyester powder paint finish. Load rating: 150 lb. (68 kg)

**BULLETIN: DACCY**



Catalog Number	Type	Size	Finish	L x W (in.)	L x W (mm)	D max. (in.)	D max. (mm)	Fits Enclosure Depth Up To (in.)	Fits Enclosure Depth Up To (mm)
P19SH68	Solid	19 in.	Gray	19.68 x 17.32	500 x 440	30.71	780	31.50	800
P19SH68B	Solid	19 in.	Black	19.68 x 17.32	500 x 440	30.71	780	31.50	800
P19VSH68B	Vented	19 in.	Black	19.68 x 17.32	500 x 440	30.71	780	31.50	800
P19SH810	Solid	19 in.	Gray	27.56 x 17.32	700 x 440	38.58	980	39.37	1000
P19SH810B	Solid	19 in.	Black	27.56 x 17.32	700 x 440	38.58	980	39.37	1000
P19VSH810B	Vented	19 in.	Black	27.56 x 17.32	700 x 440	38.58	980	39.37	1000
P23SH68B	Solid	23 in.	Black	19.68 x 21.32	500 x 542	30.71	780	31.50	800
P23VSH68B	Vented	23 in.	Black	19.68 x 21.32	500 x 542	30.71	780	31.50	800
P23SH810B	Solid	23 in.	Black	27.56 x 21.32	700 x 542	38.58	980	39.37	1000
P23VSH810B	Vented	23 in.	Black	27.56 x 21.32	700 x 542	38.58	980	39.37	1000

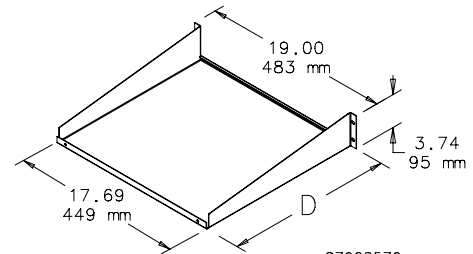
### SINGLE-SIDED SHELF



Mounts to 19-in. rack angles to house voice/data networking equipment. RAL 9005 black finish. Load rating: 75 lb. (34 kg)

BULLETIN: DACCY

Catalog Number	H x W x D (in.)	H x W x D (mm)	Style	Rack Units
ESH198	3.74 x 19.00 x 8.00	95 x 483 x 203	Solid	2
ESH1915	3.74 x 19.00 x 15.00	95 x 483 x 381	Solid	2
ESH1915V	3.74 x 19.00 x 15.00	95 x 483 x 381	Vented	2
ESH1917	3.74 x 19.00 x 17.00	95 x 483 x 432	Solid	2

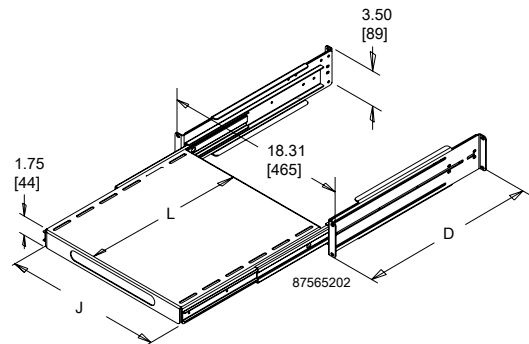


### SLIDING EQUIPMENT SHELF

Steel Sliding Equipment Shelf mounts to front surface of front and back rack angles. Models fit 19- or 23-in. rack spacing. Adjusts to fit multiple-depth enclosures and rack angle placements. Shelf can be used on 2-post rack or cabinet with front rack angles only by reversing support bracket. Optional cable manager arm available. 14 gauge steel with 12 gauge supports with RAL 9005 black polyester powder paint finish. Load rating: 150 lb. (68.0 kg) with four corner mounting; 75 lb. (34.0 kg) with two-post or front-rack-angle cabinet mounting.

Optional Cable Manager Arm is recommended to help control cable movement as shelf slides in and out.

BULLETIN: DACCY



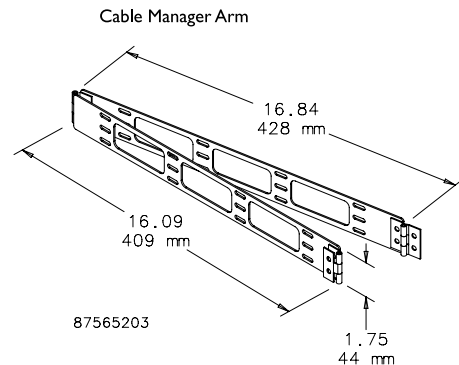
Catalog Number	D Max. (in.)	D Max. (mm)	L (in.)	L (mm)	J (in.)	J (mm)	Shelf Pullout (in.)	Shelf Pullout (mm)	Fits Rack	Rack Units
P19SHP68B	37.40	950	16.72	425	16.20	412	17.00	432	19 in.	2
P19SHP810B	41.30	1050	24.59	625	16.20	412	19.00	483	19 in.	2
P23SHP68B	37.40	950	16.72	425	20.20	513	17.00	432	23 in.	2
P23SHP810B	41.30	1050	24.59	625	20.20	513	19.00	483	23 in.	2

### CABLE MANAGER ARM FOR SLIDING EQUIPMENT SHELF

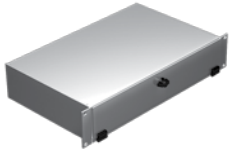
Cable Manager Arm mounts to back of sliding equipment shelf on right or left side. Controls cable movement as shelf slides in and out. 14 gauge steel with RAL 9005 black polyester powder paint finish.

BULLETIN: DACCY

Catalog Number	Description	Use With
PHCB	Cable Manager Arm	Sliding Equipment Shelf

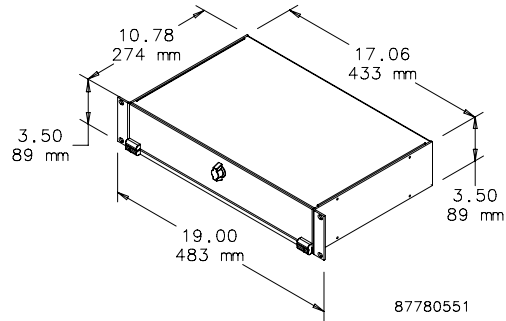


**KEYBOARD COMPARTMENT FOR 19-IN. RACKS**



Provides a convenient way to incorporate a keyboard with other 19-in. rack-mounted equipment. Uses 2 RU of space. Made of light-weight aluminum with brushed finish. Accommodates keyboard up to 16.50-in. (419-mm) wide. Mounting hardware included.  
**BULLETIN: DACCY**

Catalog Number	Fits rack width	Rack Units
A19KBC2B	19	2



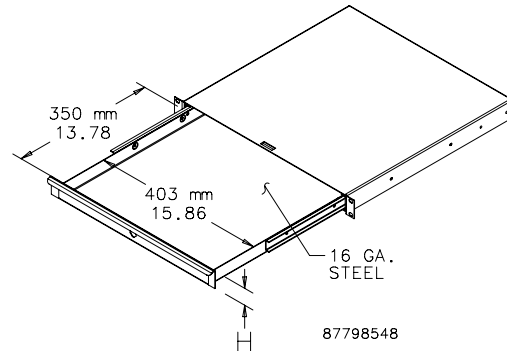
**RACK-ANGLE MOUNTED DRAWER**



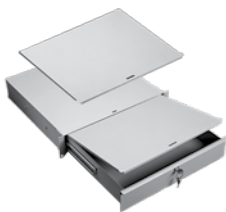
Steel drawer for 19-in. rack-angle mounting mounts to the front surface of the rack angles. Integral steel box contains the drawer and protects surrounding internal equipment. Extends 13 in. (330 mm) on ball bearing slides. Front includes handle and key lock. Finish is RAL 7035 textured light-gray polyester powder paint. Mounting hardware is included.

**BULLETIN: P20**

Catalog Number	H (mm)	H (in.)	Fits Rack Width	Rack Units
P19DR1US	43	1.69	19 in.	1
P19DR2US	88	3.47	19 in.	2
P19DR3US	132	5.20	19 in.	3

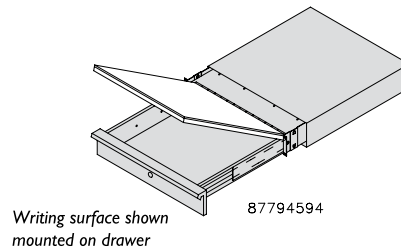


**WRITING SURFACE FOR RACK-ANGLE-MOUNTED DRAWER**



Steel cover mounts on top of the drawer and serves as a writing surface and drawer cover. Finish is RAL 7035 light-gray textured polyester powder paint. Illustration and one photo show writing surface mounted on drawer. Order drawer separately.  
**BULLETIN: P20**

Catalog Number	Description	Fits
P19WS	Steel writing surface and cover	Drawer (order separately)



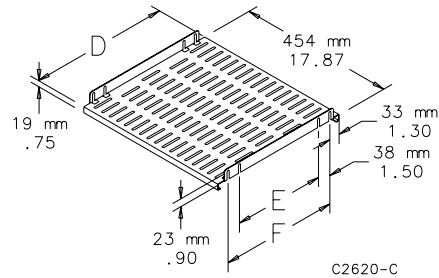


**19-IN. FIXED SHELF**



14 gauge steel fixed shelf has large ventilation slots in shelf surface. Mounts between two pair of rack mounting angles that have accessory mounting legs. Shelves have RAL 7035 light-gray polyester powder paint finish. Plated mounting hardware is furnished.

BULLETIN: P20

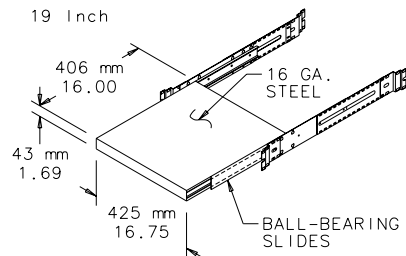


Catalog Number	D (in.)	D (mm)	E (in.)	E (mm)	F (in.)	F (mm)	Fits Rack Width
A19SH5	16.06	408	10.46	266	13.46	342	19 (in.)
A19SH6	20.00	508	14.40	366	17.40	442	19 (in.)
A19SH8	27.87	708	22.27	566	25.27	642	19 (in.)

**PULL-OUT SHELVES**

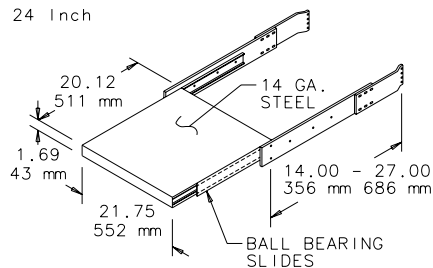


Pull-Out Shelves extend 17 in. (432 mm) on ball-bearing slides. 16 gauge pull-out shelf mounts to uprights in 19-in. electronic rack or 19-in. mini-rack using pull-out shelf bracket (EPSBKT) and has light-gray powder paint finish. Two screws captivate shelf to slides. 14 gauge steel pull-out shelf mounts between two pair of rack-mounting angles that have accessory mounting legs and has white finish. Plated mounting hardware is furnished.



BULLETIN: DEC1, P20

Catalog Number	Description	Fits
A19SHP6	Pull-out shelf	19-in. rack angles
DL29SHP	Pull-out shelf	24-in. rack
EPSBKT	Pull-out shelf bracket	



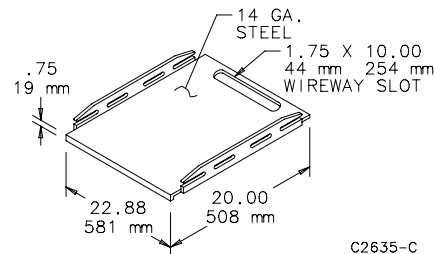
**FIXED SHELF**



14 gauge steel fixed shelf has a large slot in rear of shelf surface for wire management. Mounts between two pair of rack mounting angles that have accessory mounting legs. Shelves are white. Plated mounting hardware is furnished.

BULLETIN: P20

Catalog Number	Fits Rack Width
DL29SH	24 (in.)



**DRAWERS**

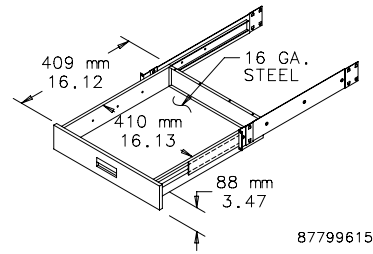


16 gauge steel drawer extends 17.00 in. (432 mm) on ball bearing slides. Drawer has polyester powder paint finish and recessed black pull handle. Drawers mount between two pair of rack-mounting angles that have accessory mounting legs. Includes provision for attaching a writing surface. Plated steel mounting hardware is furnished.

**BULLETIN: P20, X20**

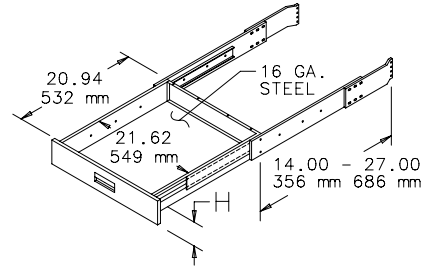
Catalog Number	H in./mm	Color	Fits Rack Width
A19DR2U	3.47 88	RAL 7035 Light Gray	19 in.
A19DR4U	6.97 177	RAL 7035 Light Gray	19 in.
DL729DR	6.97 177	White	24 in.

Enclosure must be at least 24-in. (600-mm) deep.



A19DR2U, A19DR4U

87799615



DL329DR

87799607

**CONCEPT™ KEYBOARD BOX**



Keyboard box is designed to fit on an outside surface of an enclosure to provide a self-contained external Type 4 housing for a keyboard. The box attaches to the enclosure surface with 4 bolts. A large hole and rubber plug are provided for keyboard cord and plug. The hinged cover is supported with flexible cables in the open position. A left and a right mouse tray slides out from under the keyboard mounting surface. VELCRO® strips with pressure-sensitive adhesive are supplied to attach a keyboard. An internal mouse storage pracket is provided. The box and cover are 16 gauge steel with ANSI 61 gray polyester powder paint finish. Cover latches with a single quarterturn slotted latch. Optional CONCEPT latches also fit.

VELCRO is a trademark of Velcro Industries B.V.

**BULLETIN: A80**

Catalog Number	AxBxC in./mm	Max. Keyboard Size W x D x H in./mm
CKBC24	10.00 x 23.30 x 4.79 254 x 592 x 122	20.20 x 8.00 x 2.34 513 x 203 x 59