



Non-Metallic: Fiberglass

Overlapping Cover

Flat Cover with Latches, Type 4X



Industry Standards

UL 508A Listed; Type 3, 3R, 4, 4X, 12, 13; File No. E54315
cUL Listed per CSA C22.2 No 94; Type 3, 3R, 4, 4X, 12, 13; File No. E54315
Enclosure flammability per UL 508A

NEMA/EEMAC Type 3, 3R, 4, 4X, 12, 13
CSA File No. 217184: Type 3, 3R, 4, 4X, 12, 13
IEC 60529, IP66
Meets NEMA Type 3RX requirements

Application

Enclosures feature a flat, overlapping cover design that ensures a more-secure seal. Available with solid and window covers. Latches provide easy access and security.

Specifications

- Compression-molded fiberglass construction
- Overlapping solid- and window-cover models are available
- Windows are clear polycarbonate
- Cover fastens with padlockable Type 316 stainless steel latches
- Type 304 stainless steel piano hinges
- Integral mounting brackets
- Enclosures protect equipment and operators from indirect electrical contact

Finish

Fiberglass material is RAL 7035 light-gray inside and out. Optional steel panels are painted white. Optional stainless steel, aluminum, conductive and composite panels are unpainted.

Accessories

See also *Accessories*.
H2OMIT® Vent Drains, Type 4X
HOL-SEALERS™ Non-Metallic Hole Seals
Panels for Junction Boxes
Swing-Out Panel Kit
Terminal Block Kit Assembly for Junction Boxes Overview

Modification and Customization

Hoffman excels at modifying and customizing products to your specifications. Contact your local Hoffman sales office or distributor for complete information.

Bulletin: HJ



Non-Metallic: Fiberglass

Overlapping Cover

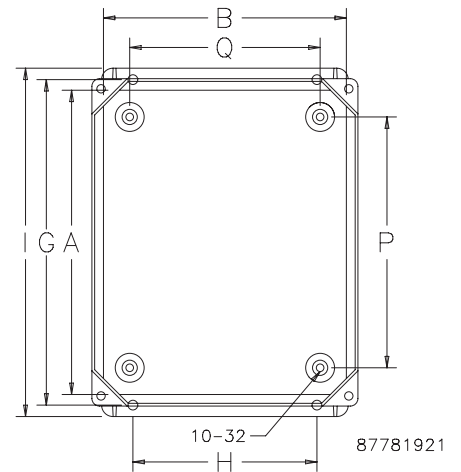
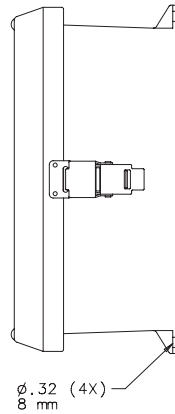
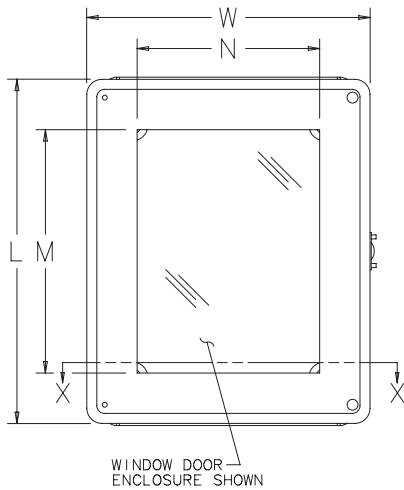
Standard Product

Catalog Number	Ax B x C in./mm	No. of Latches	Window Size											Steel Panel	Aluminum Panel	Panel Size in./mm	
			M x N in./mm	D in./mm	F in./mm	G in./mm	H in./mm	I in./mm	J in./mm	K in./mm	L in./mm	P in./mm	Q in./mm				W in./mm
HJ606HWPL1LG	6.00 x 6.00 x 4.10	1	—	4.96	4.64	6.77	4.01	7.52	4.34	0.50	7.31	4.26	4.25	7.31	A6P6	A6P6AL	4.88 x 4.88
	152 x 152 x 104		—	126	118	172	102	191	110	13	186	108	105	186			124 x 124
HJ806HWPL1LG	8.00 x 6.00 x 4.10	1	—	4.96	4.64	8.74	4.01	9.50	3.19	1.65	9.30	6.26	4.25	7.31	A8P6	A8P6AL	6.75 x 4.88
	203 x 152 x 104		—	126	118	222	102	241	81	42	276	159	108	186			171 x 124
HJ1008HWPL1LG	10.00 x 8.00 x 4.59	1	—	5.43	5.12	10.75	6.02	11.52	3.66	1.65	11.31	8.25	6.24	9.31	A10P8	A10P8AL	8.75 x 6.88
	254 x 203 x 117		—	138	130	276	153	293	93	42	287	210	158	236			222 x 102
HJ1210HWPL2LG	12.00 x 10.00 x 4.74	2	—	5.58	5.25	12.75	8.01	13.51	3.81	1.65	13.30	10.25	8.25	11.29	A12P10	A12P10AL	10.75 x 8.88
	305 x 254 x 120		—	142	133	324	203	343	97	42	338	260	210	287			273 x 226
HJ1412HWPL2LG	14.00 x 12.00 x 5.74	2	—	6.70	6.38	14.75	10.00	15.50	4.93	1.65	15.32	12.25	10.24	13.30	A14P12	A14P12AL	12.75 x 10.88
	356 x 305 x 146		—	170	162	375	254	394	125	42	389	311	260	338			324 x 276
HJ1614HWPL2LG	16.00 x 14.00 x 5.74	2	—	6.70	6.38	16.73	12.00	17.52	4.93	1.65	17.31	14.25	12.24	15.30	A16P14	A16P14AL	14.75 x 12.88
	406 x 356 x 146		—	170	162	425	305	445	125	42	440	362	311	389			375 x 327
HJ1816HWPL2LG	18.00 x 16.00 x 8.62	2	—	9.58	9.25	18.74	12.00	19.50	7.81	1.65	19.31	16.25	14.25	17.31	A18P16	A18P16AL	16.75 x 14.88
	457 x 406 x 219		—	243	235	476	305	495	198	42	490	413	362	440			425 x 378
HJB606HWPL1LG	6.00 x 6.00 x 4.10	1	4.00 x 4.00	4.96	4.64	6.77	4.01	7.52	4.34	0.50	7.31	4.25	4.25	7.31	A6P6	A6P6AL	4.88 x 4.88
	152 x 152 x 104		102 x 102	126	118	172	102	191	110	13	186	108	108	186			124 x 124
HJB806HWPL1LG	8.00 x 6.00 x 4.10	1	6.00 x 4.00	4.96	4.64	8.74	4.01	9.50	3.19	1.65	9.30	6.26	4.25	7.31	A8P6	A8P6AL	6.75 x 1.88
	203 x 152 x 104		152 x 102	126	118	222	102	241	81	42	276	159	108	186			171 x 124
HJB1008HWPL1LG	10.00 x 8.00 x 4.59	1	8.00 x 6.00	5.43	5.12	10.75	6.02	11.52	3.66	1.65	11.31	8.25	6.24	9.31	A10P8	A10P8AL	8.75 x 6.88
	254 x 203 x 117		203 x 152	138	130	273	153	293	93	42	287	210	158	236			222 x 102
HJB1210HWPL2LG	12.00 x 10.00 x 4.74	2	10.00 x 8.00	5.58	5.24	12.75	8.01	13.52	3.81	1.65	13.30	10.25	8.25	11.29	A12P10	A12P10AL	10.78 x 8.88
	305 x 254 x 120		254 x 203	142	133	324	203	343	97	42	338	324	210	287			273 x 226
HJB1412HWPL2LG	14.00 x 12.00 x 5.74	2	12.00 x 10.00	6.70	6.38	14.75	10.00	15.50	4.93	1.65	15.32	12.25	10.24	13.30	A14P12	A14P12AL	12.75 x 10.88
	356 x 305 x 146		305 x 254	170	162	375	254	394	125	42	389	311	260	229			324 x 276
HJB1614HWPL2LG	16.00 x 14.00 x 5.74	2	14.00 x 12.00	6.70	6.38	16.73	12.00	17.52	4.93	1.65	17.31	14.25	12.24	15.30	A16P14	A16P14AL	14.75 x 12.88
	406 x 356 x 146		356 x 305	170	162	425	305	445	125	42	440	362	311	389			375 x 327
HJB1816HWPL2LG	18.00 x 16.00 x 8.62	2	16.00 x 14.00	9.58	9.25	18.74	12.00	19.50	7.81	1.65	19.31	16.25	14.25	17.31	A18P16	A18P16AL	16.75 x 14.88
	457 x 406 x 219		406 x 356	243	235	476	305	495	198	42	490	413	362	440			425 x 378

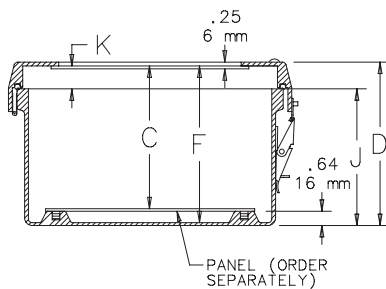
A x B x Care internal dimensions.

Purchase panels separately. Optional stainless steel, composite and aluminum panels are available for most sizes.

Flat Cover Window Enclosures



Top View with Door/Cover Removed



SECTION X-X