



Non-Metallic: Polycarbonate and ABS

QLINE® I

QLINE® I, Type 4X



Industry Standards

Polycarbonate Enclosure

UL 508A Listed; Type 4, 4X, 12, 13; File No. E61997
cUL Listed per CSA C22.2 No 94; Type 4, 4X, 12, 13; File No. E61997
Enclosure flammability evaluated per UL 508A

NEMA/EEMAC Type 4, 4X, 12, 13
CSA File No. 42186: Type 4, 4X, 12, 13
IEC 60529, IP66

ABS Enclosure

NEMA/EEMAC Type 4, 4X, 12, 13
IEC 60529, IP66

Application

The largest-sized QLINE® enclosure, QLINE I provides easy access and protects larger controls from corrosive environments. Choose from screw cover, hinge, internal mounting, variable depth and quick-release latch options to meet your design and security requirements. The ABS series shares the same features and similar physical properties as the polycarbonate but is a more economical, non-UL rated alternative.

Specifications

- Body is impact-resistant polycarbonate for PCI series and ABS for ABI series
- Opaque and clear covers are impact-resistant polycarbonate for PCI; opaque covers are ABS for ABI series
- Polycarbonate and ABS material is easily punched, drilled, filed or sawed
- Mounting holes molded directly under cover screws
- Molded internal pads for mounting optional panels, rails and other components
- Molded internal rails for mounting adjustable-depth panel kit
- Screws provided for mounting optional panel
- Optional extension rings are molded polycarbonate
- Cover includes a molded-in hole for wire lead
- Seamless foam-in-place gasket assures water-tight and dust-tight seal
- Material is halogen free

Screw Cover Enclosures have easy-to-remove covers attached to body with strong, durable polyamide cross-point cover screws.

Enclosures with Quick-Release Latches have polycarbonate hinges and polyester latches with a padlock provision.

Finish

Polycarbonate and ABS enclosure material is RAL 7035 light-gray inside and out. Optional panels are plated steel.

Accessories

See also *Accessories*.

Brass Insert Kit
Cover Screw Kit
Extension Rings
Hardware Kit
H2OMIT® Vent Drains, Type 4X
Hinge Kit
HOL-SEALERS™ Non-Metallic Hole Seals
Mounting Bracket Kit
Panel Depth Fitting

Modification and Customization

Hoffman excels at modifying and customizing products to your specifications. Contact your local Hoffman sales office or distributor for complete information.

Bulletin: Q41



QLINE® I

Standard Product Polycarbonate

Catalog Number	Ax B x C mm/in.	Cover Style	Cover Fastener	External Dim's		Panel Size D x E mm/in.	Extension Ring	Mounting									
				L x W mm/in.	Panel			G x H mm/in.	F mm/in.	P mm/in.	Q mm/in.	R mm/in.	S mm/in.	T mm/in.	U mm/in.	Y mm/in.	Z mm/in.
Q202013PCI	188 x 188 x 123	Opaque	Screw	200 x 200	Q2020PI	160 x 160	Q2020EXTI	180 x 180	115	150	150	140	140	120	110	100	100
	7.40 x 7.40 x 4.84				7.87 x 7.87		6.30 x 6.30		7.09 x 7.09	4.53	5.91	5.91	5.51	5.51	4.72	4.33	3.94
Q202013PCICC	188 x 188 x 123	Clear	Screw	200 x 200	Q2020PI	160 x 160	Q2020EXTI	180 x 180	115	150	150	140	140	120	120	100	100
	7.40 x 7.40 x 4.84				7.87 x 7.87		6.30 x 6.30		7.09 x 7.09	4.53	5.91	5.91	5.51	5.51	4.72	4.33	3.94
Q302013PCI	288 x 188 x 123	Opaque	Screw	300 x 200	Q3020PI	260 x 160	Q3020EXTI	280 x 180	115	150	250	140	240	120	210	100	200
	11.34 x 7.40 x 4.84				11.81 x 7.87		10.24 x 6.30		11.02 x 7.09	4.53	5.91	9.84	5.51	9.45	4.72	8.27	3.94
Q302013PCICC	288 x 188 x 123	Clear	Screw	300 x 200	Q3020PI	260 x 160	Q3020EXTI	280 x 180	115	150	250	140	240	120	210	100	200
	11.34 x 7.40 x 4.84				11.81 x 7.87		10.24 x 6.30		11.02 x 7.09	4.53	5.91	9.84	5.51	9.45	4.72	8.27	3.94
Q402013PCI	388 x 188 x 123	Opaque	Screw	400 x 200	Q4020PI	360 x 160	Q4020EXTI	380 x 180	115	150	350	140	340	120	310	100	300
	15.28 x 7.40 x 4.84				15.75 x 7.87		14.17 x 6.30		14.96 x 7.09	4.53	5.91	13.78	5.51	13.39	4.72	12.20	3.94
Q402013PCICC	388 x 188 x 123	Clear	Screw	400 x 200	Q4020PI	360 x 160	Q4020EXTI	380 x 180	115	150	350	140	340	120	310	100	300
	15.28 x 7.40 x 4.84				15.75 x 7.87		14.17 x 6.30		14.96 x 7.09	4.53	5.91	13.78	5.51	13.39	4.72	12.20	3.94
Q303013PCI	288 x 288 x 123	Opaque	Screw	300 x 300	Q3030PI	260 x 260	Q3030EXTI	280 x 280	115	250	250	240	240	220	210	200	200
	11.34 x 11.34 x 4.84				11.81 x 11.81		10.24 x 10.24		11.02 x 11.02	4.53	9.84	9.84	9.45	9.45	8.66	8.27	7.87
Q303013PCICC	288 x 288 x 123	Clear	Screw	300 x 300	Q3030PI	260 x 260	Q3030EXTI	280 x 280	115	250	250	240	240	220	210	200	200
	11.34 x 11.34 x 4.84				11.81 x 11.81		10.24 x 10.24		11.02 x 11.02	4.53	9.84	9.84	9.45	9.45	8.66	8.27	7.87
Q403013PCI	388 x 288 x 123	Opaque	Screw	400 x 300	Q4030PI	360 x 260	Q4030EXTI	380 x 280	115	250	350	240	340	220	310	200	300
	15.28 x 11.34 x 4.84				15.75 x 11.81		14.17 x 10.24		14.96 x 11.02	4.53	9.84	13.78	9.45	13.39	8.66	12.20	7.87
Q403013PCICC	388 x 288 x 123	Clear	Screw	400 x 300	Q4030PI	360 x 260	Q4030EXTI	380 x 280	115	250	350	240	340	220	310	200	300
	15.28 x 11.34 x 4.84				15.75 x 11.81		14.17 x 10.24		14.96 x 11.02	4.53	9.84	13.78	9.45	13.39	8.66	12.20	7.87
Q603013PCI	588 x 288 x 123	Opaque	Screw	600 x 300	Q6030PI	560 x 260	Q6030EXTI	580 x 280	115	250	550	240	540	220	510	200	500
	23.15 x 11.34 x 4.84				23.62 x 11.81		22.05 x 10.24		22.83 x 11.02	4.53	9.84	21.65	9.45	21.26	8.66	20.08	7.87
Q603013PCICC	588 x 288 x 123	Clear	Screw	600 x 300	Q6030PI	560 x 260	Q6030EXTI	580 x 280	115	250	550	240	540	220	510	200	500
	23.15 x 11.34 x 4.84				23.62 x 11.81		22.05 x 10.24		22.83 x 11.02	4.53	9.84	21.65	9.45	21.26	8.66	20.08	7.87
Q604013PCI	588 x 388 x 123	Opaque	Screw	600 x 400	Q6040PI	560 x 360	Q6040EXTI	580 x 380	115	350	550	340	540	320	510	300	500
	23.15 x 15.28 x 4.84				23.62 x 15.75		22.05 x 14.17		22.83 x 14.96	4.53	13.78	21.65	13.39	21.26	12.60	20.08	11.81
Q604013PCICC	588 x 388 x 123	Clear	Screw	600 x 400	Q6040PI	560 x 360	Q6040EXTI	580 x 380	115	350	550	340	540	320	510	300	500
	23.15 x 15.28 x 4.84				23.62 x 15.75		22.05 x 14.17		22.83 x 14.96	4.53	13.78	21.65	13.39	21.26	12.60	20.08	11.81
Q202018PCI	188 x 188 x 173	Opaque	Screw	200 x 200	Q2020PI	160 x 160	Q2020EXTI	180 x 180	165	150	150	140	140	120	110	100	100
	7.40 x 7.40 x 6.81				7.87 x 7.87		6.30 x 6.30		7.09 x 7.09	6.50	5.91	5.91	5.51	5.51	4.72	4.33	3.94
Q202018PCICC	188 x 188 x 173	Clear	Screw	200 x 200	Q2020PI	160 x 160	Q2020EXTI	180 x 180	165	150	150	140	140	120	110	100	100
	7.40 x 7.40 x 6.81				7.87 x 7.87		6.30 x 6.30		7.09 x 7.09	6.50	5.91	5.91	5.51	5.51	4.72	4.33	3.94
Q302018PCI	288 x 188 x 173	Opaque	Screw	300 x 200	Q3020PI	260 x 160	Q3020EXTI	280 x 180	165	150	250	140	240	120	110	100	200
	11.34 x 7.40 x 6.81				11.81 x 7.87		10.24 x 6.30		11.02 x 7.09	6.50	5.91	9.84	5.51	9.45	4.72	4.33	3.94
Q302018PCICC	288 x 188 x 173	Clear	Screw	300 x 200	Q3020PI	260 x 160	Q3020EXTI	280 x 180	165	150	250	140	240	120	110	100	200
	11.34 x 7.40 x 6.81				11.81 x 7.87		10.24 x 6.30		11.02 x 7.09	6.50	5.91	9.84	5.51	9.45	4.72	4.33	3.94
Q402018PCI	388 x 188 x 173	Opaque	Screw	400 x 200	Q4020PI	360 x 160	Q4020EXTI	380 x 180	165	150	350	140	340	120	310	100	300
	15.28 x 7.40 x 6.81				15.75 x 7.87		14.17 x 6.30		14.96 x 7.09	6.50	5.91	13.78	5.51	13.39	4.72	12.20	3.94
Q402018PCICC	388 x 188 x 173	Clear	Screw	400 x 200	Q4020PI	360 x 160	Q4020EXTI	380 x 180	165	150	350	140	340	120	310	100	300
	15.28 x 7.40 x 6.81				15.75 x 7.87		14.17 x 6.30		14.96 x 7.09	6.50	5.91	13.78	5.51	13.39	4.72	12.20	3.94
Q303018PCI	288 x 288 x 173	Opaque	Screw	300 x 300	Q3030PI	260 x 260	Q3030EXTI	280 x 280	165	250	250	240	240	220	210	200	200
	11.34 x 11.34 x 6.81				11.81 x 11.81		10.24 x 10.24		11.02 x 11.02	6.50	9.84	9.84	9.45	9.45	8.66	8.27	7.87
Q303018PCICC	288 x 288 x 173	Clear	Screw	300 x 300	Q3030PI	260 x 260	Q3030EXTI	280 x 280	165	250	250	240	240	220	210	200	200
	11.34 x 11.34 x 6.81				11.81 x 11.81		10.24 x 10.24		11.02 x 11.02	6.50	9.84	9.84	9.45	9.45	8.66	8.27	7.87
Q403018PCI	388 x 288 x 173	Opaque	Screw	400 x 300	Q4030PI	360 x 260	Q4030EXTI	380 x 280	165	250	350	240	340	220	310	200	300
	15.28 x 11.34 x 6.81				15.75 x 11.81		14.17 x 10.24		14.96 x 11.02	6.50	9.84	13.78	9.45	13.39	8.66	12.20	7.87
Q403018PCICC	388 x 288 x 173	Clear	Screw	400 x 300	Q4030PI	360 x 260	Q4030EXTI	380 x 280	165	250	350	240	340	220	310	200	300
	15.28 x 11.34 x 6.81				15.75 x 11.81		14.17 x 10.24		14.96 x 11.02	6.50	9.84	13.78	9.45	13.39	8.66	12.20	7.87
Q603018PCI	588 x 188 x 173	Opaque	Screw	600 x 300	Q6030PI	560 x 260	Q6030EXTI	580 x 180	165	250	550	240	540	220	510	200	500
	23.15 x 11.34 x 6.81				23.62 x 11.81		22.05 x 10.24		22.83 x 11.02	6.50	9.84	21.65	9.45	21.26	8.66	20.08	7.87
Q603018PCICC	588 x 288 x 173	Clear	Screw	600 x 300	Q6030PI	560 x 260	Q6030EXTI	580 x 280	165	250	550	240	540	220	510	200	500
	23.15 x 11.34 x 6.81				23.62 x 11.81		22.05 x 10.24		22.83 x 11.02	6.50	9.84	21.65	9.45	21.26	8.66	20.08	7.87
Q604018PCI	588 x 388 x 173	Opaque	Screw	600 x 400	Q6040PI	560 x 360	Q6040EXTI	580 x 380	165	350	550	340	540	320	510	300	500
	23.15 x 15.28 x 6.81				23.62 x 15.75		22.05 x 14.17		22.83 x 14.96	6.50	13.78	21.65	13.39	21.26	12.60	20.08	11.81
Q604018PCICC	588 x 388 x 173	Clear	Screw	600 x 400	Q6040PI	560 x 360	Q6040EXTI	580 x 380	165	350	550	340	540	320	510	300	500
	23.15 x 15.28 x 6.81				23.62 x 15.75		22.05 x 14.17		22.83 x 14.96	6.50	13.78	21.65	13.39	21.26	12.60	20.08	11.81
Q202013PCIQRR	188 x 188 x 123	Opaque	QR	200 x 200	Q2020PI	160 x 160	—	180 x 180	115	150	150	140	140	120	110	100	100
	7.40 x 7.40 x 4.84				Latch	7.87 x 7.87		6.30 x 6.30		7.09 x 7.09	4.53	5.91	5.91	5.51	5.51	4.72	4.33
Q202013PCIQRCCR	188 x 188 x 123	Clear	QR	200 x 200	Q2020PI	160 x 160	—	180 x 180	115	150	150	140	140	120	110	100	100
	7.40 x 7.40 x 4.84				Latch	7.87 x 7.87		6.30 x 6.3									



Non-Metallic: Polycarbonate and ABS

QLINE® I

Catalog Number	Ax B x C mm/in.	Cover Style	Cover Fastener	External Dim's		Panel Size		Extension Ring	Mounting								
				L x W mm/in.	Panel	D x E mm/in.	G x H mm/in.		F mm/in.	P mm/in.	Q mm/in.	R mm/in.	S mm/in.	T mm/in.	U mm/in.	Y mm/in.	Z mm/in.
Q403013PCIQRCCR	388 x 288 x 123	Clear	QR	400 x 300	Q4030PI	360 x 260	—	380 x 280	115	250	350	240	340	220	310	200	300
	15.28 x 11.34 x 4.84		Latch	15.75 x 11.81		14.17 x 10.24	14.96 x 11.02	4.53	9.84	13.78	9.45	13.39	8.66	12.20	7.87	11.81	
Q603013PCIQRR	588 x 288 x 123	Opaque	QR	600 x 300	Q6030PI	560 x 260	—	580 x 280	115	250	550	240	540	220	510	200	500
	23.15 x 11.34 x 4.84		Latch	23.62 x 11.81		22.05 x 10.24	22.83 x 11.02	4.53	9.84	21.65	9.45	21.26	8.66	20.08	7.87	19.69	
Q603013PCIQRCCR	588 x 288 x 123	Clear	QR	600 x 300	Q6030PI	560 x 260	—	580 x 280	115	250	550	240	540	220	510	200	500
	23.15 x 11.34 x 4.84		Latch	23.62 x 11.81		22.05 x 10.24	22.83 x 11.02	4.53	9.84	21.65	9.45	21.26	8.66	20.08	7.87	19.69	
Q604013PCIQRR	588 x 388 x 123	Opaque	QR	600 x 400	Q6040PI	560 x 360	—	580 x 380	115	350	550	340	540	320	510	300	500
	23.15 x 15.28 x 4.84		Latch	23.62 x 15.75		22.05 x 14.17	22.83 x 14.96	4.53	13.78	21.65	13.39	21.26	12.60	20.08	11.81	19.69	
Q604013PCIQRCCR	588 x 388 x 123	Clear	QR	600 x 400	Q6040PI	560 x 360	—	580 x 380	115	350	550	340	540	320	510	300	500
	23.15 x 15.28 x 4.84		Latch	23.62 x 15.75		22.05 x 14.17	22.83 x 14.96	4.53	13.78	21.65	13.39	21.26	12.60	20.08	11.81	19.69	
Q202018PCIQRR	188 x 188 x 173	Opaque	QR	200 x 200	Q2020PI	160 x 160	—	180 x 180	115	150	150	140	140	120	110	100	100
	7.40 x 7.40 x 6.81		Latch	7.87 x 7.87		6.30 x 6.30	7.09 x 7.09	6.50	5.91	5.91	5.51	5.51	4.72	4.33	3.94	3.94	
Q202018PCIQRCCR	188 x 188 x 173	Clear	QR	200 x 200	Q2020PI	160 x 160	—	180 x 180	165	150	150	140	140	120	110	100	100
	7.40 x 7.40 x 6.81		Latch	7.87 x 7.87		6.30 x 6.30	7.09 x 7.09	6.50	5.91	5.91	5.51	5.51	4.72	4.33	3.94	3.94	
Q302018PCIQRR	288 x 188 x 173	Opaque	QR	300 x 200	Q3020PI	260 x 160	—	280 x 180	165	150	250	140	240	120	110	100	200
	11.34 x 7.40 x 6.81		Latch	11.81 x 7.87		10.24 x 6.30	11.02 x 7.09	6.50	5.91	9.84	5.51	9.45	4.72	4.33	3.94	7.87	
Q302018PCIQRCCR	288 x 188 x 173	Clear	QR	300 x 200	Q3020PI	260 x 160	—	280 x 180	165	150	250	140	240	120	110	100	200
	11.34 x 7.40 x 6.81		Latch	11.81 x 7.87		10.24 x 6.30	11.02 x 7.09	6.50	5.91	9.84	5.51	9.45	4.72	4.33	3.94	7.87	
Q402018PCIQRR	388 x 188 x 173	Opaque	QR	400 x 200	Q4020PI	360 x 160	—	380 x 180	165	150	350	140	340	120	310	100	300
	15.28 x 7.40 x 6.81		Latch	15.75 x 7.87		14.17 x 6.30	14.96 x 7.09	6.50	5.91	13.78	5.51	13.39	4.72	12.20	3.94	11.81	
Q402018PCIQRCCR	388 x 188 x 173	Clear	QR	400 x 200	Q4020PI	360 x 160	—	380 x 180	165	150	350	140	340	120	310	100	300
	15.28 x 7.40 x 6.81		Latch	15.75 x 7.87		14.17 x 6.30	14.96 x 7.09	6.50	5.91	13.78	5.51	13.39	4.72	12.20	3.94	11.81	
Q303018PCIQRR	288 x 288 x 173	Opaque	QR	300 x 300	Q3030PI	260 x 260	—	280 x 280	165	250	250	240	240	220	210	200	200
	11.34 x 11.34 x 6.81		Latch	11.81 x 11.81		10.24 x 10.24	11.02 x 11.02	6.50	9.84	9.84	9.45	9.45	8.66	8.27	7.87	7.87	
Q303018PCIQRCCR	288 x 288 x 173	Clear	QR	300 x 300	Q3030PI	260 x 260	—	280 x 280	165	250	250	240	240	220	210	200	200
	11.34 x 11.34 x 6.81		Latch	11.81 x 11.81		10.24 x 10.24	11.02 x 11.02	6.50	9.84	9.84	9.45	9.45	8.66	8.27	7.87	7.87	
Q403018PCIQRR	388 x 288 x 173	Opaque	QR	400 x 300	Q4030PI	360 x 260	—	380 x 280	165	250	350	240	340	220	310	200	300
	15.28 x 11.34 x 6.81		Latch	15.75 x 11.81		14.17 x 10.24	14.96 x 11.02	6.50	9.84	13.78	9.45	13.39	8.66	12.20	7.87	11.81	
Q403018PCIQRCCR	388 x 288 x 173	Clear	QR	400 x 300	Q4030PI	360 x 260	—	380 x 280	165	250	350	240	340	220	310	200	300
	15.28 x 11.34 x 6.81		Latch	15.75 x 11.81		14.17 x 10.24	14.96 x 11.02	6.50	9.84	13.78	9.45	13.39	8.66	12.20	7.87	11.81	
Q603018PCIQRR	588 x 288 x 173	Opaque	QR	600 x 300	Q6030PI	560 x 260	—	580 x 280	165	250	550	240	540	220	510	200	500
	23.15 x 11.34 x 6.81		Latch	23.62 x 11.81		22.05 x 10.24	22.83 x 11.02	6.50	9.84	21.65	9.45	21.25	8.66	20.08	7.87	19.69	
Q603018PCIQRCCR	588 x 288 x 173	Clear	QR	600 x 300	Q6030PI	560 x 260	—	580 x 280	165	250	550	240	540	220	510	200	500
	23.15 x 11.37 x 6.81		Latch	23.62 x 11.81		22.05 x 10.24	22.83 x 11.02	6.50	9.84	21.65	9.45	21.26	8.66	20.08	7.87	19.69	
Q604018PCIQRR	588 x 388 x 173	Opaque	QR	600 x 400	Q6040PI	560 x 360	—	580 x 380	165	350	550	340	540	320	510	300	500
	23.15 x 15.28 x 6.81		Latch	23.62 x 15.75		22.05 x 14.17	22.83 x 14.96	6.50	13.78	21.65	13.39	21.28	12.60	20.08	11.81	19.69	
Q604018PCIQRCCR	588 x 388 x 173	Clear	QR	600 x 400	Q6040PI	560 x 360	—	580 x 380	165	350	550	340	540	320	510	300	500
	23.15 x 15.28 x 6.81		Latch	23.62 x 15.75		22.05 x 14.17	22.83 x 14.96	6.50	13.78	21.65	13.39	21.26	12.60	20.08	11.81	19.69	

A x B x C are internal dimensions.

Purchase panels and extension rings separately.



QLINE® I

Standard Product ABS, Screw Cover

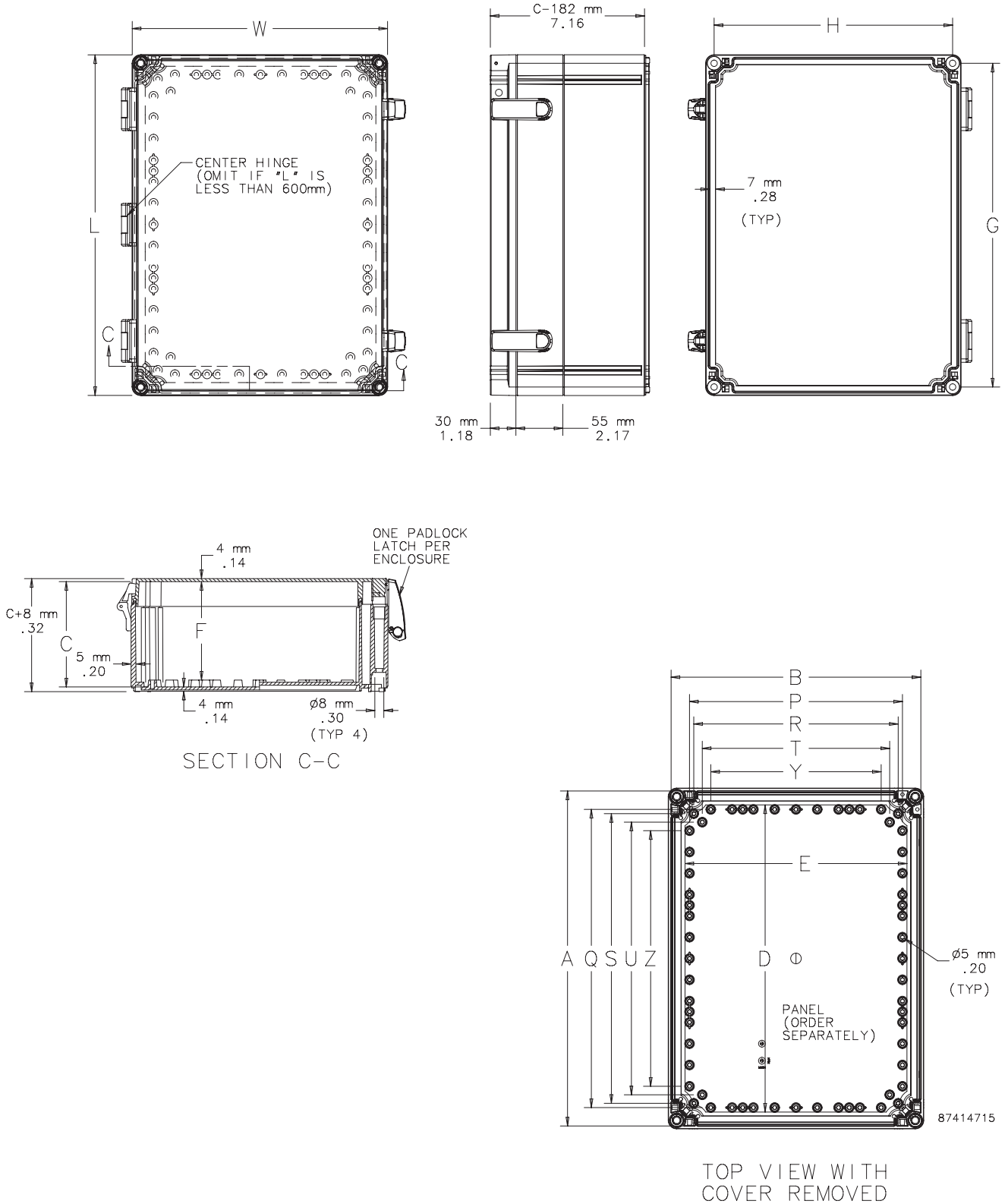
Catalog Number	AxBxC mm/in.	Cover Style	External Dim's L x W mm/in.	Panel	Panel Size D x E mm/in.	Extension Ring	Mounting G x H mm/in.	F mm/in.	P mm/in.	Q mm/in.	R mm/in.	S mm/in.	T mm/in.	U mm/in.	Y mm/in.	Z mm/in.
Q202013ABI	188 x 188 x 123 7.40 x 7.40 x 4.84	Opaque	200 x 200 7.87 x 7.87	Q2020PI	160 x 160 6.30 x 6.30	Q2020EXTI	180 x 180 7.09 x 7.09	115 4.53	150 5.91	150 5.91	140 5.51	140 5.51	120 4.72	110 4.33	100 3.94	100 3.94
Q202013ABICC	188 x 188 x 123 7.40 x 7.40 x 4.84	Clear	200 x 200 7.87 x 7.87	Q2020PI	160 x 160 6.30 x 6.30	Q2020EXTI	180 x 180 7.09 x 7.09	115 4.53	150 5.91	150 5.91	140 5.51	140 5.51	120 4.72	110 4.33	100 3.94	100 3.94
Q302013ABI	288 x 188 x 123 11.34 x 7.40 x 4.84	Opaque	300 x 200 11.81 x 7.87	Q3020PI	260 x 160 10.24 x 6.30	Q3020EXTI	280 x 180 11.02 x 7.09	115 4.53	150 5.91	250 9.84	140 5.51	140 5.51	120 4.72	210 8.27	100 3.94	200 7.87
Q302013ABICC	288 x 188 x 123 11.34 x 7.40 x 4.84	Clear	300 x 200 11.81 x 7.87	Q3020PI	260 x 160 10.24 x 6.30	Q3020EXTI	280 x 180 11.02 x 7.09	115 4.53	150 5.91	250 9.84	140 5.51	140 5.51	120 4.72	210 8.27	100 3.94	200 7.87
Q402013ABI	388 x 188 x 123 15.28 x 7.40 x 4.84	Opaque	400 x 200 15.75 x 7.87	Q4020PI	360 x 160 14.17 x 6.30	Q4020EXTI	380 x 180 14.96 x 7.09	115 4.53	150 5.91	350 13.78	140 5.51	140 5.51	120 4.72	310 12.20	100 3.94	300 11.81
Q402013ABICC	388 x 188 x 123 15.28 x 7.40 x 4.84	Clear	400 x 200 15.75 x 7.87	Q4020PI	360 x 160 14.17 x 6.30	Q4020EXTI	380 x 180 14.96 x 7.09	115 4.53	150 5.91	350 13.78	140 5.51	140 5.51	120 4.72	310 12.20	100 3.94	300 11.81
Q303013ABI	288 x 288 x 123 11.34 x 11.34 x 4.84	Opaque	300 x 300 11.81 x 11.81	Q3030PI	260 x 260 10.24 x 10.24	Q3030EXTI	280 x 280 11.02 x 11.02	115 4.53	250 9.84	250 9.84	240 9.45	240 9.45	220 8.66	210 8.27	200 7.87	200 7.87
Q303013ABICC	288 x 288 x 123 11.34 x 11.34 x 4.84	Clear	300 x 300 11.81 x 11.81	Q3030PI	260 x 260 10.24 x 10.24	Q3030EXTI	280 x 280 11.02 x 11.02	115 4.53	250 9.84	250 9.84	240 9.45	240 9.45	220 8.66	210 8.27	200 7.87	200 7.87
Q403013ABI	388 x 288 x 123 15.28 x 11.34 x 4.84	Opaque	400 x 300 15.75 x 11.81	Q4030PI	360 x 260 14.17 x 10.24	Q4030EXTI	380 x 280 14.96 x 11.02	115 4.53	150 5.91	350 13.78	240 9.45	240 9.45	220 8.66	310 12.20	200 7.87	300 11.81
Q403013ABICC	388 x 288 x 123 15.28 x 11.34 x 4.84	Clear	400 x 300 15.75 x 11.81	Q4030PI	360 x 260 14.17 x 10.24	Q4030EXTI	380 x 280 14.96 x 11.02	115 4.53	150 5.91	350 13.78	240 9.45	240 9.45	220 8.66	310 12.20	200 7.87	300 11.81
Q603013ABI	588 x 288 x 123 23.15 x 11.34 x 4.84	Opaque	600 x 300 23.62 x 11.81	Q6030PI	560 x 260 22.05 x 10.24	Q6030EXTI	580 x 280 22.83 x 11.02	115 4.53	250 9.84	550 21.65	240 9.45	240 9.45	220 8.66	510 20.08	200 7.87	300 11.81
Q603013ABICC	588 x 288 x 123 23.15 x 11.34 x 4.84	Clear	600 x 300 23.62 x 11.81	Q6030PI	560 x 260 22.05 x 10.24	Q6030EXTI	580 x 280 22.83 x 11.02	115 4.53	250 9.84	550 21.65	240 9.45	240 9.45	220 8.66	510 20.08	200 7.87	300 11.81
Q604013ABI	588 x 388 x 123 23.15 x 15.28 x 4.84	Opaque	600 x 400 23.62 x 15.75	Q6040PI	560 x 360 22.05 x 14.17	Q6040EXTI	580 x 380 22.83 x 14.96	115 4.53	350 13.78	550 21.65	340 13.39	340 13.39	320 12.60	510 20.08	300 11.81	500 19.69
Q604013ABICC	588 x 388 x 123 23.15 x 15.28 x 4.84	Clear	600 x 400 23.62 x 15.75	Q6040PI	560 x 360 22.05 x 14.17	Q6040EXTI	580 x 380 22.83 x 14.96	115 4.53	350 13.78	550 21.65	340 13.39	340 13.39	320 12.60	510 20.08	300 11.81	500 19.69
Q202018ABI	188 x 188 x 173 7.40 x 7.40 x 6.81	Opaque	200 x 200 7.87 x 7.87	Q2020PI	160 x 160 6.30 x 6.30	Q2020EXTI	180 x 180 7.09 x 7.09	165 6.50	150 5.91	150 5.91	140 5.51	140 5.51	120 4.72	110 4.33	100 3.94	100 3.94
Q202018ABICC	188 x 188 x 173 7.40 x 7.40 x 6.81	Clear	200 x 200 7.87 x 7.87	Q2020PI	160 x 160 6.30 x 6.30	Q2020EXTI	180 x 180 7.09 x 7.09	165 6.50	150 5.91	150 5.91	140 5.51	140 5.51	120 4.72	110 4.33	100 3.94	100 3.94
Q302018ABI	288 x 188 x 173 11.34 x 7.40 x 6.81	Opaque	300 x 200 11.81 x 7.87	Q3020PI	260 x 160 10.24 x 6.30	Q3020EXTI	280 x 180 11.02 x 7.09	165 6.50	150 5.91	250 9.84	140 5.51	140 5.51	120 4.72	110 4.33	100 3.94	200 7.87
Q302018ABICC	288 x 188 x 173 11.34 x 7.40 x 6.81	Clear	300 x 200 11.81 x 7.87	Q3020PI	260 x 160 10.24 x 6.30	Q3020EXTI	280 x 180 11.02 x 7.09	165 6.50	150 5.91	250 9.84	140 5.51	140 5.51	120 4.72	110 4.33	100 3.94	200 7.87
Q402018ABI	388 x 188 x 173 15.28 x 7.40 x 6.81	Opaque	400 x 200 15.75 x 7.87	Q4020PI	360 x 160 14.17 x 6.30	Q4020EXTI	380 x 180 14.96 x 7.09	165 6.50	150 5.91	350 13.78	140 5.51	140 5.51	120 4.72	310 12.20	100 3.94	300 11.81
Q402018ABICC	388 x 188 x 173 15.28 x 7.40 x 6.81	Clear	400 x 200 15.75 x 7.87	Q4020PI	360 x 160 14.17 x 6.30	Q4020EXTI	380 x 180 14.96 x 7.09	165 6.50	150 5.91	350 13.78	140 5.51	140 5.51	120 4.72	310 12.20	100 3.94	300 11.81
Q303018ABI	288 x 288 x 173 11.34 x 11.34 x 6.81	Opaque	300 x 300 11.81 x 11.81	Q3030PI	260 x 260 10.24 x 10.24	Q3030EXTI	280 x 280 11.02 x 11.02	165 6.50	250 9.84	250 9.84	240 9.45	240 9.45	220 8.66	210 8.27	200 7.87	200 7.87
Q303018ABICC	288 x 288 x 173 11.34 x 11.34 x 6.81	Clear	300 x 300 11.81 x 11.81	Q3030PI	260 x 260 10.24 x 10.24	Q3030EXTI	280 x 280 11.02 x 11.02	165 6.50	250 9.84	250 9.84	240 9.45	240 9.45	220 8.66	210 8.27	200 7.87	200 7.87
Q403018ABI	388 x 288 x 173 15.28 x 11.34 x 6.81	Opaque	400 x 300 15.75 x 11.81	Q4030PI	360 x 260 14.17 x 10.24	Q4030EXTI	380 x 280 14.96 x 11.02	165 6.50	150 5.91	350 13.78	240 9.45	240 9.45	220 8.66	310 12.20	200 7.87	300 11.81
Q403018ABICC	388 x 288 x 173 15.28 x 11.34 x 6.81	Clear	400 x 300 15.75 x 11.81	Q4030PI	360 x 260 14.17 x 10.24	Q4030EXTI	380 x 280 14.96 x 11.02	165 6.50	150 5.91	350 13.78	240 9.45	240 9.45	220 8.66	310 12.20	200 7.87	300 11.81
Q603018ABI	588 x 288 x 173 23.15 x 11.34 x 6.81	Opaque	600 x 300 23.62 x 11.81	Q6030PI	560 x 260 22.05 x 10.24	Q6030EXTI	580 x 280 22.83 x 11.02	165 6.50	250 9.84	550 21.65	240 9.45	240 9.45	220 8.66	510 20.08	200 7.87	500 19.69
Q603018ABICC	588 x 288 x 173 23.15 x 11.34 x 6.81	Clear	600 x 300 23.62 x 11.81	Q6030PI	560 x 260 22.05 x 10.24	Q6030EXTI	580 x 280 22.83 x 11.02	165 6.50	250 9.84	550 21.65	240 9.45	240 9.45	220 8.66	510 20.08	200 7.87	500 19.69
Q604018ABI	588 x 388 x 173 23.15 x 15.28 x 6.81	Opaque	600 x 400 23.62 x 15.75	Q6040PI	560 x 360 22.05 x 14.17	Q6040EXTI	580 x 380 22.83 x 14.96	165 6.50	350 13.78	550 21.65	340 13.39	340 13.39	320 12.60	510 20.08	300 11.81	500 19.69
Q604018ABICC	588 x 388 x 173 23.15 x 15.28 x 6.81	Clear	600 x 400 23.62 x 15.75	Q6040PI	560 x 360 22.05 x 14.17	Q6040EXTI	580 x 380 22.83 x 14.96	165 6.50	350 13.78	550 21.65	340 13.39	340 13.39	320 12.60	510 20.08	300 11.81	500 19.69



Non-Metallic: Polycarbonate and ABS

QLINE® I

QLINE I Polycarbonate and ABS Type 4X Enclosures with Quick-Release Latches Dimension Drawing

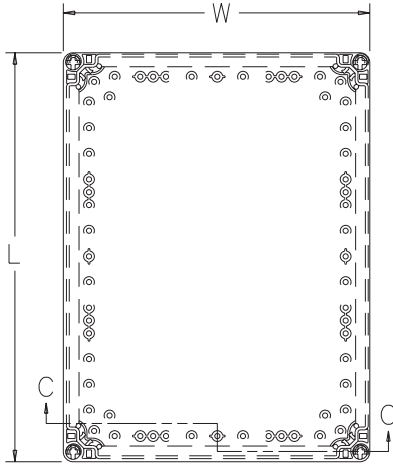




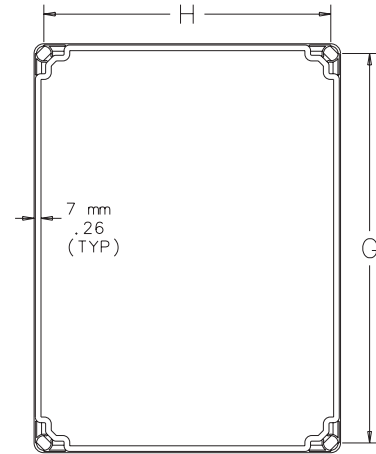
Non-Metallic: Polycarbonate and ABS

QLINE® I

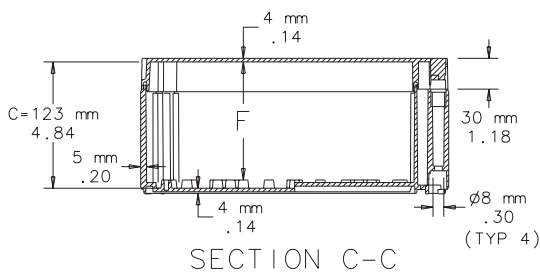
QLINE I Polycarbonate and ABS Screw Cover Dimension Drawing



TOP VIEW

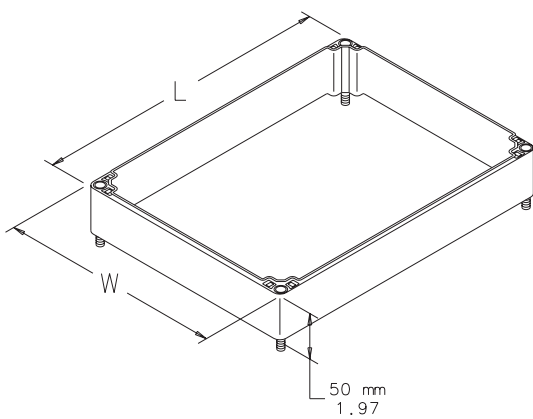


BOTTOM VIEW

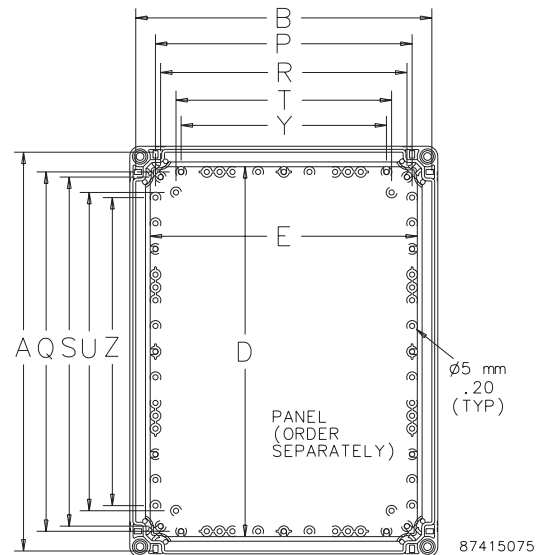


SECTION C-C

NOTE: Panel screws are M5 pan head.



OPTIONAL EXTENSION RING



TOP VIEW WITH COVER REMOVED