



L Type ①



T Type

- Suitable for wet locations when used with gasketed covers.
- Federal Specification W-C-586D/A-A 50563.
- Suitable for use in hazardous location applications when installed according to NEC Articles 501.10(b), Class I, Div. 2, (Suitable for use in Class I Zone 2 applications) 502.10 and 503.10.

Listed File No. E3397

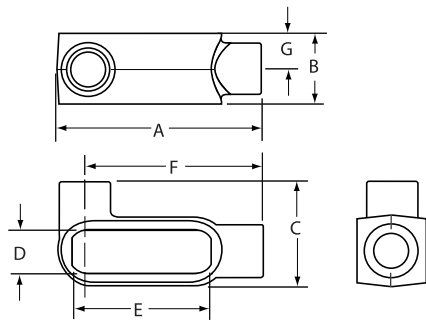
Certified File No. LR11852

FEATURES-SPECIFICATIONS

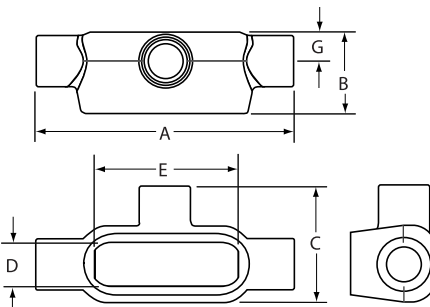
DURALOY® 7

See page F3 for Standard Materials & Finish

Dimensions



L Type



T Type

| L TYPE ① CONDUIT BODY* | | | | | | | | | | |
|------------------------|--------------|----------|--------------------|------------------|------------------|------------------|------------------|------------------|----------------|----------------|
| CATALOG NUMBER | | HUB SIZE | DIMENSIONS | | | | | | | VOLUME CU. IN. |
| KILLARK ALUM. | DURALOY IRON | | A | B | C | D | E | F | G | |
| L17SA | L17 | 1/2" | 4-11/16" (119) | 1-7/16" (37) | 2-5/16" (59) | 1" (25) | 3-3/16" (81) | 4-1/16" (103) | 5/8" (16) | 4.0 |
| L27SA | L27 | 3/4" | 5-3/8" (137) | 1-11/16" (43) | 2-5/8" (67) | 1-1/8" (29) | 3-13/16" (97) | 4-5/8" (117) | 3/4" (19) | 7.0 |
| L37SA | L37 | 1" | 6-5/16" (160) | 1-7/8" (48) | 3-1/16" (78) | 1-3/8" (35) | 4-1/2" (114) | 5-3/8" (137) | 7/8" (22) | 11.0 |
| L47SA | L47 | 1-1/4" | 6-13/16" (173) | 2-5/16" (59) | 3-1/2" (89) | 1-13/16" (46) | 5" (127) | 5-3/4" (146) | 1-1/8" (29) | 19.5 |
| L57SA | L57 | 1-1/2" | 7-1/4" (184) | 2-9/16" (65) | 3-1/16" (94) | 2-1/16" (52) | 5-7/16" (138) | 6-1/16" (154) | 1-1/4" (32) | 26.0 |
| L67SA | L67 | 2" | 8-1/4" (210) | 3-1/8" (79) | 4-1/4" (108) | 2-5/8" (67) | 6-3/8" (162) | 6-3/4" (171) | 1-1/2" (38) | 48.0 |
| L77SA | L77 | 2-1/2" | 10-15/16" (278) | 4-3/8" (111) | 6-3/16" (157) | 3-7/8" (98) | 8-3/8" (213) | 8-3/4" (222) | 2-1/8" (54) | 131.5 |
| L87SA | L87 | 3" | 10-15/16" (278) | 4-3/8" (111) | 6-3/16" (157) | 3-7/8" (98) | 8-3/8" (213) | 8-3/4" (222) | 2-1/8" (54) | 131.5 |

①L type is double faced and may be used as LL or LR. Has 2 openings, one of which is furnished with a blank sheet cover.

| T TYPE CONDUIT BODY* | | | | | | | | | | |
|----------------------|--------------|----------|-------------------|------------------|------------------|------------------|------------------|---|----------------|----------------|
| CATALOG NUMBER | | HUB SIZE | DIMENSIONS | | | | | | | VOLUME CU. IN. |
| KILLARK ALUM. | DURALOY IRON | | A | B | C | D | E | F | G | |
| T17SA | T17 | 1/2" | 5-11/16" (000) | 1-13/16" (46) | 2-1/2" (64) | 1" (25) | 3-3/16" (81) | — | 5/8" (16) | 6.2 |
| T27SA | T27 | 3/4" | 6-5/16" (000) | 2-1/16" (52) | 2-3/4" (67) | 1-1/8" (29) | 3-13/16" (97) | — | 3/4" (19) | 9.5 |
| T37SA | T37 | 1" | 7-5/8" (194) | 2-1/4" (57) | 3-1/4" (83) | 1-3/8" (35) | 4-1/2" (114) | — | 7/8" (22) | 11.5 |
| T47SA | T47 | 1-1/4" | 8" (203) | 2-5/16" (59) | 3-1/2" (89) | 1-13/16" (46) | 5" (127) | — | 1-1/8" (29) | 20.0 |
| T57SA | T57 | 1-1/2" | 8-7/16" (214) | 2-9/16" (65) | 3-1/16" (94) | 2-1/16" (52) | 5-7/16" (138) | — | 1-1/4" (32) | 27.0 |
| T67SA | T67 | 2" | 9-7/16" (240) | 3-1/8" (79) | 4-1/4" (108) | 2-5/8" (67) | 6-3/8" (162) | — | 1-1/2" (38) | 50.0 |
| T77SA | T77 | 2-1/2" | 12-3/4" (324) | 4-3/8" (111) | 6-3/16" (157) | 3-7/8" (98) | 8-3/8" (213) | — | 2-1/8" (54) | 134.0 |
| T87SA | T87 | 3" | 12-3/4" (324) | 4-3/8" (111) | 6-3/16" (157) | 3-7/8" (98) | 8-3/8" (213) | — | 2-1/8" (54) | 134.0 |
| T97SA | T97 | 3-1/2" | 14-7/8" (378) | 5-3/8" (137) | 7-1/4" (184) | 4-3/4" (121) | 10-1/4" (260) | — | 2-5/8" (67) | 238.0 |
| T107SA | T107 | 4" | 14-7/8" (378) | 5-3/8" (137) | 7-1/4" (184) | 4-3/4" (121) | 10-1/4" (260) | — | 2-5/8" (67) | 238.0 |

* For conduit body packaged with cover and gasket, add **CG** to the catalog number.



KILLARK®