



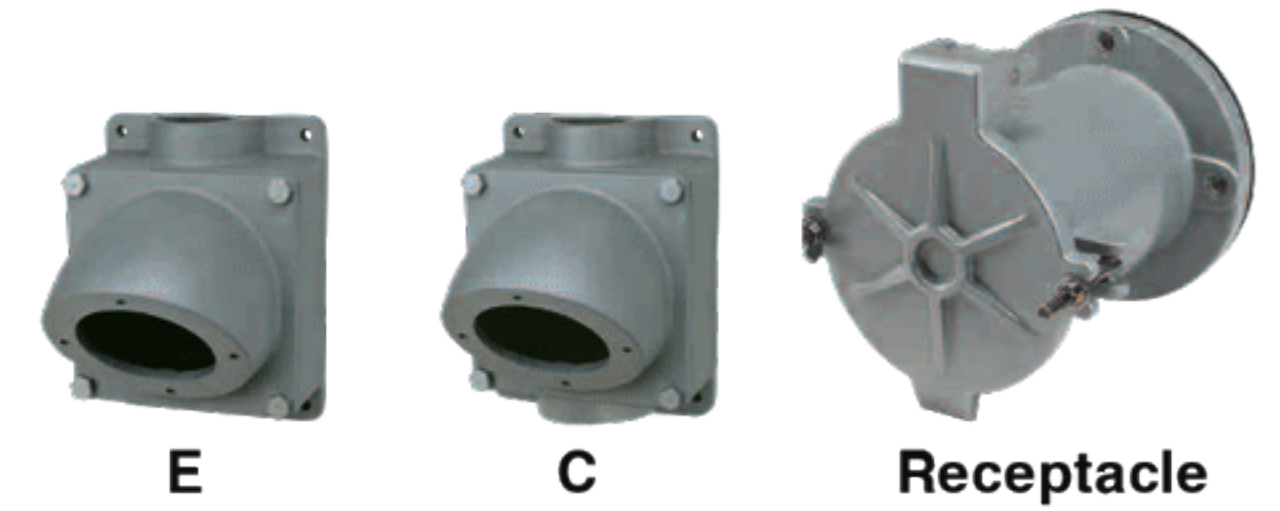
**ALLEN  
TERMINALS**

**200 Amp 600VAC/250VDC; 50-400hertz  
NEMA 3 4, 4X<sup>①</sup>**

**Wire Range**

Regular Stranding: #1 - 250  
Extra flex: #1 - 250  
(.653 max conductor diameter)

**UL** File No. E10757 **SF** Certified File No. LR111846  
E213215



**FEATURES-SPECIFICATIONS**

200 AMP PLUGS & CONNECTORS WITH ALLEN TERMINALS 5/16"				
GROUND STYLE	CIRCUIT	GROMMET RANGE	CATALOG NUMBER	
			PLUG	CONNECTOR
Style I	3W3P	1.0 - 2.5 IN	VP203512	VPR203112
	4W4P	1.0 - 2.5 IN	VP204513	VPR204113
Style II	2W3P	1.0 - 2.5 IN	VP203612	VPR203212
	3W4P	1.0 - 2.5 IN	VP204612	VPR204212

MODIFICATIONS*	
CATALOG NUMBER	DESCRIPTION
<b>S39<sup>⑤</sup></b>	Reverse service for receptacles, plugs & connectors
<b>S37</b>	Polarization for receptacles, plugs & connectors

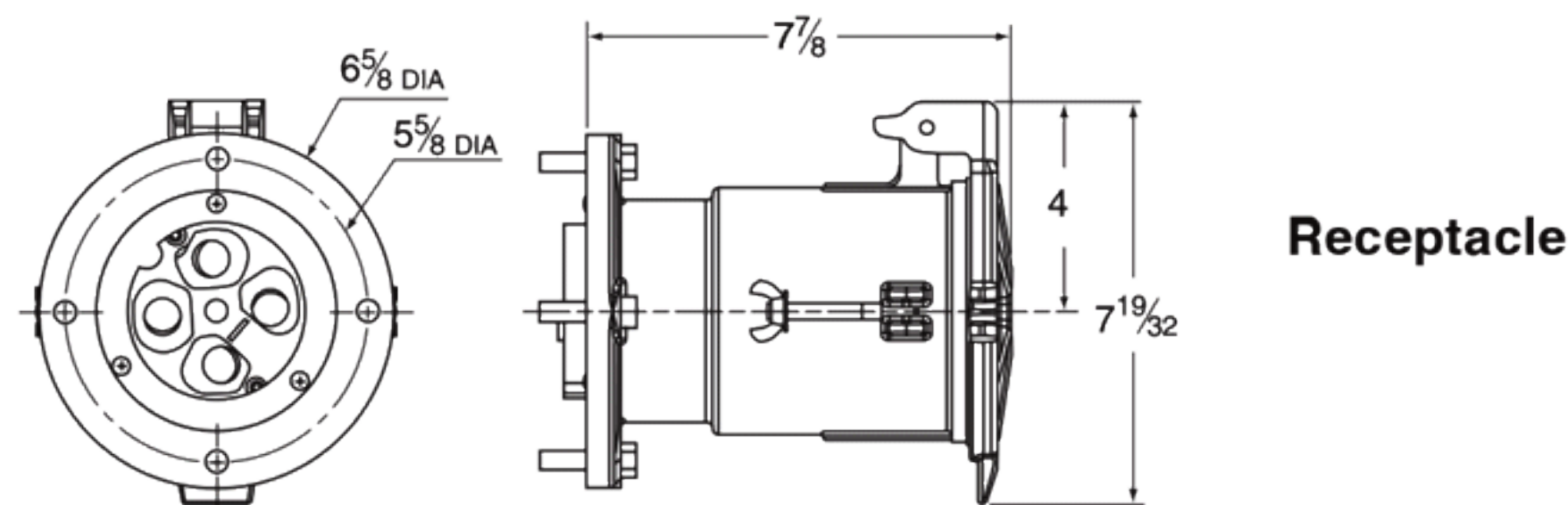
\*See page 3 for more information on these options.

200 AMP RECEPTACLES & BACK BOXES WITH ALLEN TERMINALS 5/16"				
GROUND STYLE	CIRCUIT	CATALOG NUMBER		
		E <sup>②</sup> TYPE	C <sup>②</sup> TYPE	RECEPTACLE ONLY
Style I	3W3P	<b>VR20312E6</b>	<b>VR20312C7</b>	<b>VR20312</b>
	4W4P	<b>VR20412E6</b>	<b>VR20412C7</b>	<b>VR20412</b>
Style II	2W3P	<b>VR20322E6</b>	<b>VR20322C7</b>	<b>VR20322</b>
	3W4P	<b>VR20422E6</b>	<b>VR20422C7</b>	<b>VR20422</b>
Splice box only w/adaptor <sup>②③</sup>		<b>VJ68</b>	<b>VJC78</b>	Angle adapter only <b>VJA200</b>

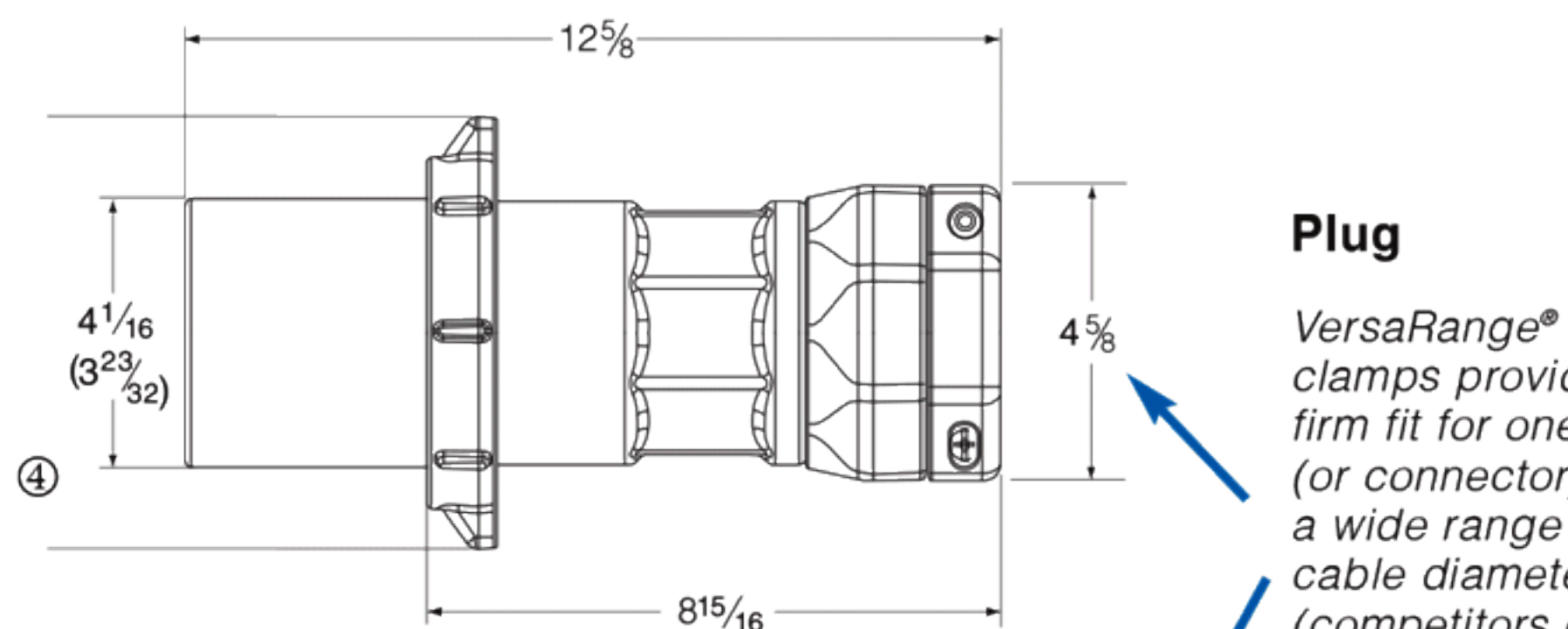
<sup>②</sup> 200 Amp Back Boxes are available in dead-end sizes 1-1/2", 2" & 2-1/2" conduit sizes. Dead-end box shown is 2". For other available dead-end box sizes, change the BOLD "6" in either the dead-end assembly or box only number as follows: **5**=1-1/2", **6**=2", **7**=2-1/2". Feed through boxes are available in 2-1/2"; use "R" series adapters as required for smaller sizes (sold separately). Assembly catalog numbers are listed for ease of ordering or specification and devices are shipped as components.

<sup>③</sup> Adapter only can be used to attach receptacle at an angle to a standard sheet metal box.

NOTE: 200A VersaMate receptacle lids secure with wingnuts for N4X environments when not in use. VersaMate plugs secure with wingnuts and/or lock-ring collar. This exclusive dual method allows retention of competitive plugs that use either wingnuts or a lock-ring collar.

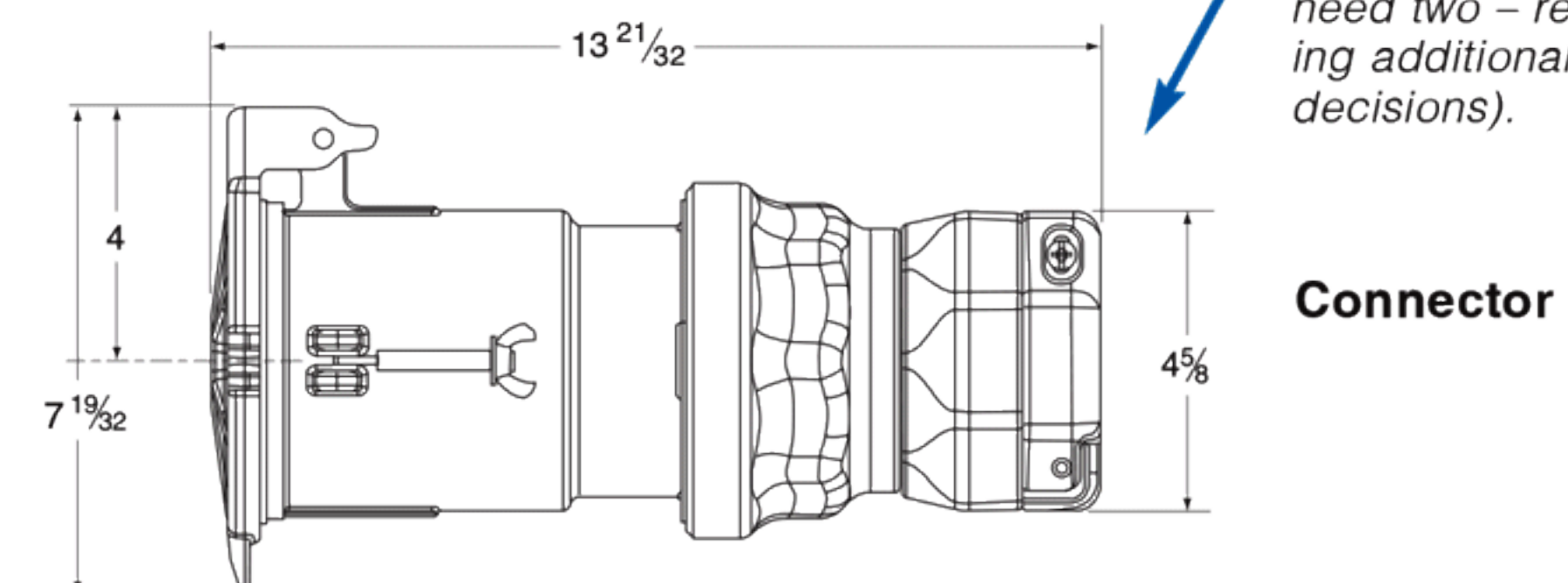


**Receptacle**



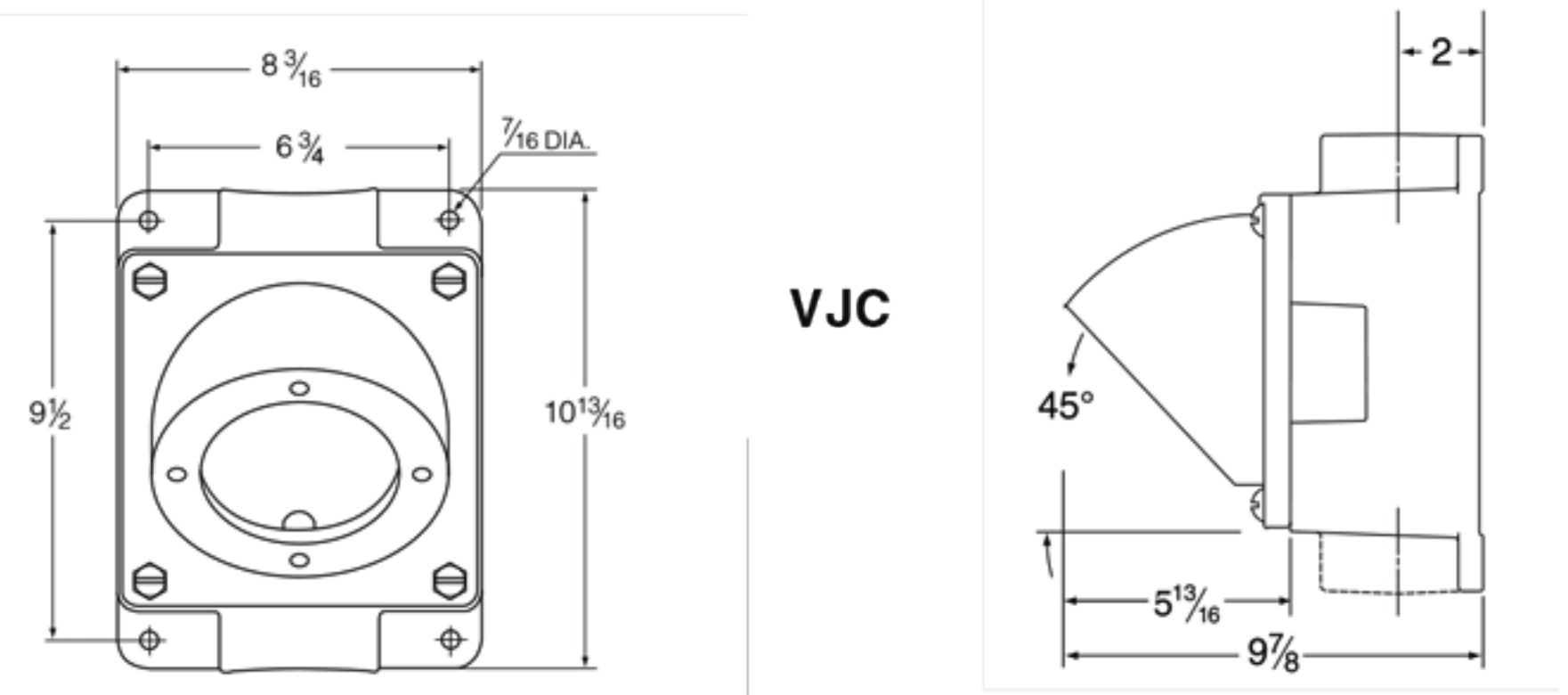
**Plug**

VersaRange<sup>®</sup> clamps provide a firm fit for one plug (or connector) over a wide range of cable diameters (competitors often need two - requiring additional sizing decisions).



**Connector**

**Back Box Dimensions**



- <sup>①</sup> Components are interchangeable & UL classified with Appleton<sup>®</sup> Powertite<sup>®</sup> or Crouse-Hinds<sup>®</sup> Arkrite<sup>®</sup> devices (when installed in accordance with instructions furnished with device. Assemblies containing components from other manufacturers would have the NEMA type rating of the lowest rated device.
- <sup>④</sup> Dimensions in ( ) are 3 pole devices; balance are 4 pole.
- <sup>⑤</sup> 200A 3W4P Reverse Service configured "W" Series and VersaMate<sup>®</sup> are not interchangeable. However, the VersaMate VR20422-S39 receptacle ships with instructions to permanently convert for use with existing PW-6402X SU39 plugs. Factory only configured plugs to fit old RW64C-SU39 receptacles may be ordered as VP-PW64026 SU39.