

# LED ALF FLOOD FAMILY

Cat.#

Job

Type



**HUBBELL**  
Outdoor Lighting

Approvals

## SPECIFICATIONS

### Intended Use:

ALF is excellent for small floodlighting applications such as signs, façade, landscape accent or small area illumination. The compact, low profile size allows the flood to be easily hidden or blend into the landscape environment.

### Construction:

- Low copper extruded aluminum construction provides long life in outdoor ground mounted applications. Ribbed design adds styling while dissipating LED and driver heat, providing longer component life.
- Tempered and impact resistant glass lens with decorative silk screen seals to housing with silicone gasket
- Dark Bronze powder paint finish provides durable and lasting appearance

### Optics/Electrical

#### LED:

- Six or twelve 1.5w LEDs produce 510 or 1000 lumens at 5100K
- Wide 110 degree lateral spread covers three times the set back distance with uniform light
- Universal voltage driver is 120-277V\*, 50/60hz, with 10.7 input watts (ALF-6LU) 22.7 input watts (ALF-12LU)

\*In Canada, ALF should be used for voltages 120-240 only

### Installation:

- Knuckle mount: Universal 1/2" swivel knuckle has serrated teeth for sure aiming. Knuckle threads are brass insuring quality installation and corrosion resistance
- Wall mount: Cast aluminum cover/quick mount plate and universal adapter allows easy installation to 3-1/2 or 4" standard junction boxes

### Listings:

Listed to UL 1598 for use in wet locations

### Warranty:

Five year limited warranty (for more information visit: <http://www.hubbelloutdoor.com/resources/warranty/>)

## PRODUCT IMAGE(S)



ALF 6 LED KNUCKLE MOUNT

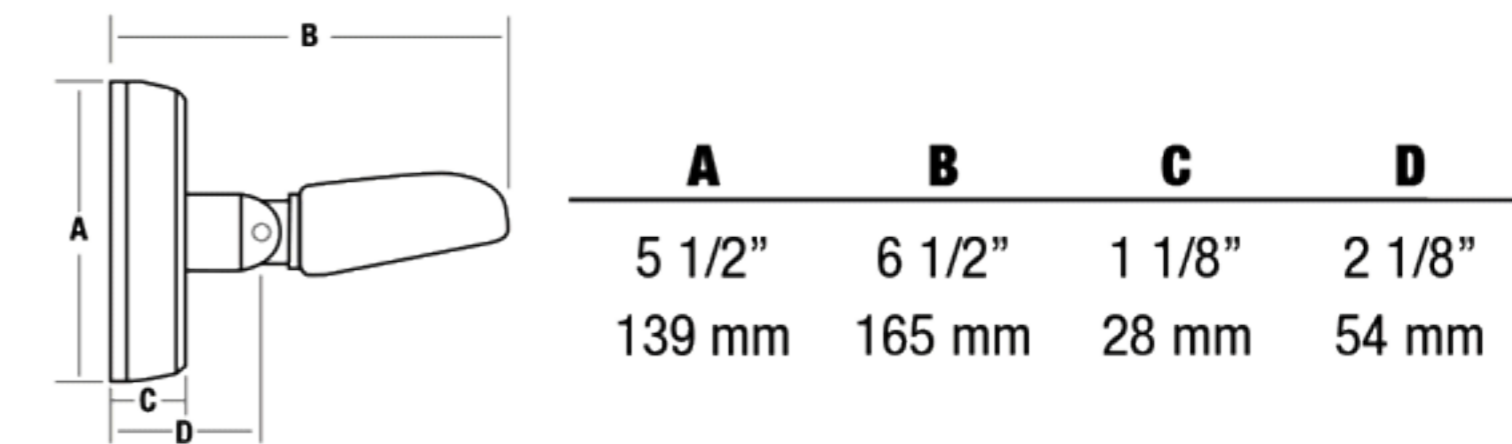
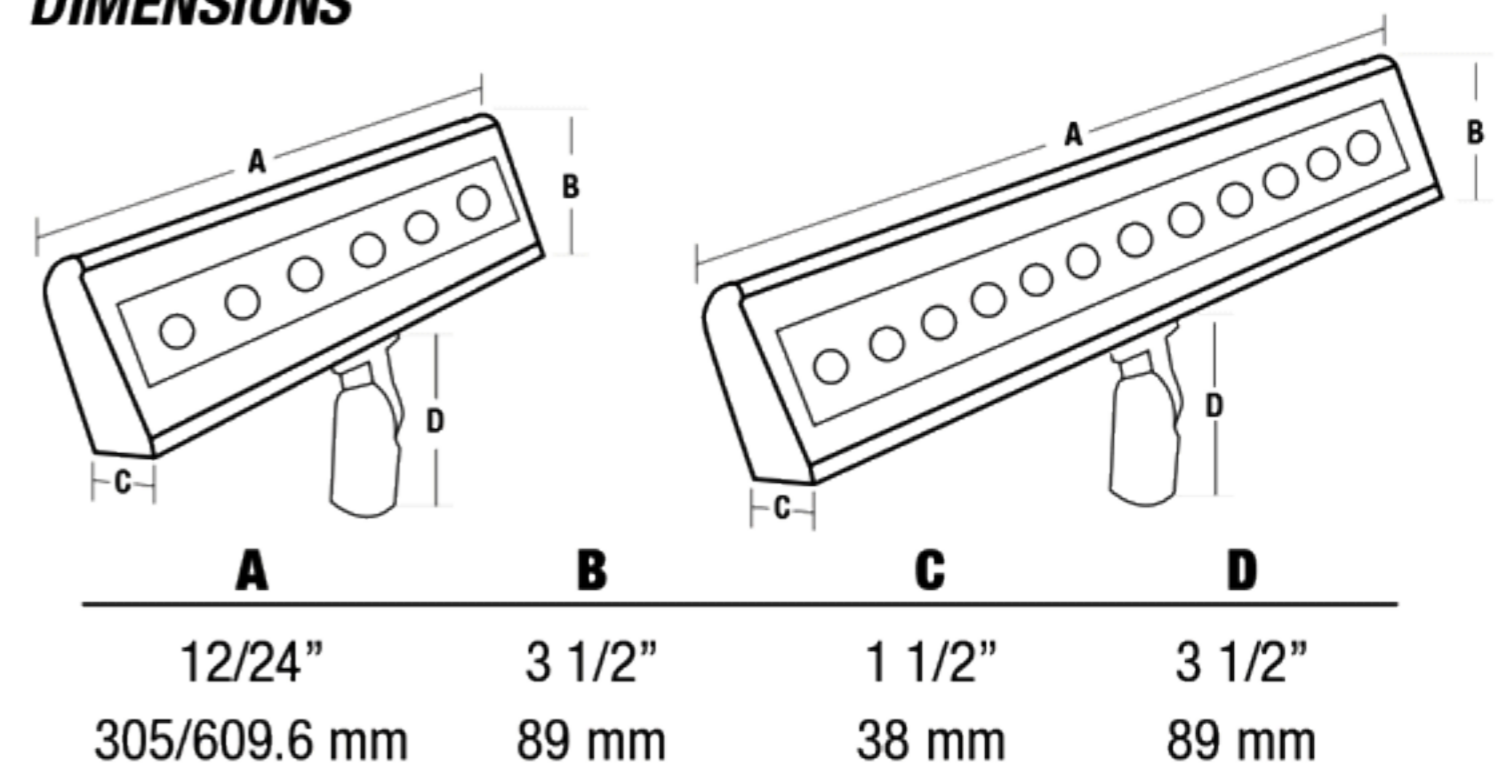


ALFW 6 LED WALL MOUNT



ALF 12 LED KNUCKLE MOUNT

## DIMENSIONS



## CERTIFICATIONS/ LISTINGS



## SHIPPING INFORMATION

Catalog Number	G.W(kg)/CTN	Carton Dimensions			Carton Qty. per Master Pack
		Length Inch (cm)	Width Inch (cm)	Height Inch (cm)	
ALF-6LU	9.7 (4.4)	18.5 (47)	14.3 (36.5)	5.7 (14.5)	2
ALFW-6LU	11.4 (5.2)	18.5 (47)	14.3 (36.5)	5.7 (14.5)	2
ALF-12LU	6.5 (2.97)	24.8 (63)	8.8 (22.5)	3.14 (8)	1

## ORDERING INFORMATION

ORDERING EXAMPLE: ALF-6LU-5K-BZ

Catalog Number	Wattage	Number of LEDs	Voltage <sup>1</sup>	Lumens	Life	CCT	Weight lbs. (kg)
<b>1/2" KNUCKLE MOUNT</b>							
ALF-6LU-5K-BZ	10.7	6	120-277V	510	50,000 hrs	5100K	4.0 (1.8)
ALF-12LU-5K-BZ	22	12	120-277V	1000	50,000 hrs	5100K	8.0 (3.6)
<b>WALLMOUNT</b>							
ALFW-6LU-5K-BZ	10.7	6	120-277V	510	50,000 hrs	5100K	4.5 (2.0)
ALFW-6LU-5K-BZ-PC	10.7	6	120V	510	50,000 hrs	5100K	4.5 (2.0)

<sup>1</sup> Unit should not be used above 240V in Canada