

FML LED DECORATIVE FLOOD

Cat.#

Job

Type



HUBBELL
Outdoor Lighting

Approvals

SPECIFICATIONS

Intended Use:

Compact flood with wide beam NEMA 6 x 6 distribution for lighting applications such as safety/security, facade, area, or signs; operating temperature of -35°C to 40°C

Construction:

- Rugged die-cast aluminum housing with dark bronze finish
- High impact UV stabilized acrylic outer lens protects LEDs and allows for cleaning/debris removal
- Vented housing isolates LED module from driver, maximizing product life and performance
- Visor and vandal shield available

LED:

- 14 high powered LEDs deliver 4285 lumens
- 5100K CCT, 67 CRI

Optical/Electrical

- Wide flood NEMA 6 x 6 distribution for general purpose flood and facade lighting
- 120-277V operation, 50/60Hz (PC version 120V only) 53w, 1050mA, 81 LPW
- IP66 and RoHS compliant driver
- 0-10V dimming driver

Installation:

- Traditional 1/2" x 14 NPS threaded adjustable knuckle mounting

Listings:

- Meets DesignLights Consortium (DLC) qualifications
- Lighting Facts
- IP65, Listed to UL1598 for use in wet locations

Warranty:

For more information visit:
<http://www.hubbelloutdoor.com/resources/warranty/>

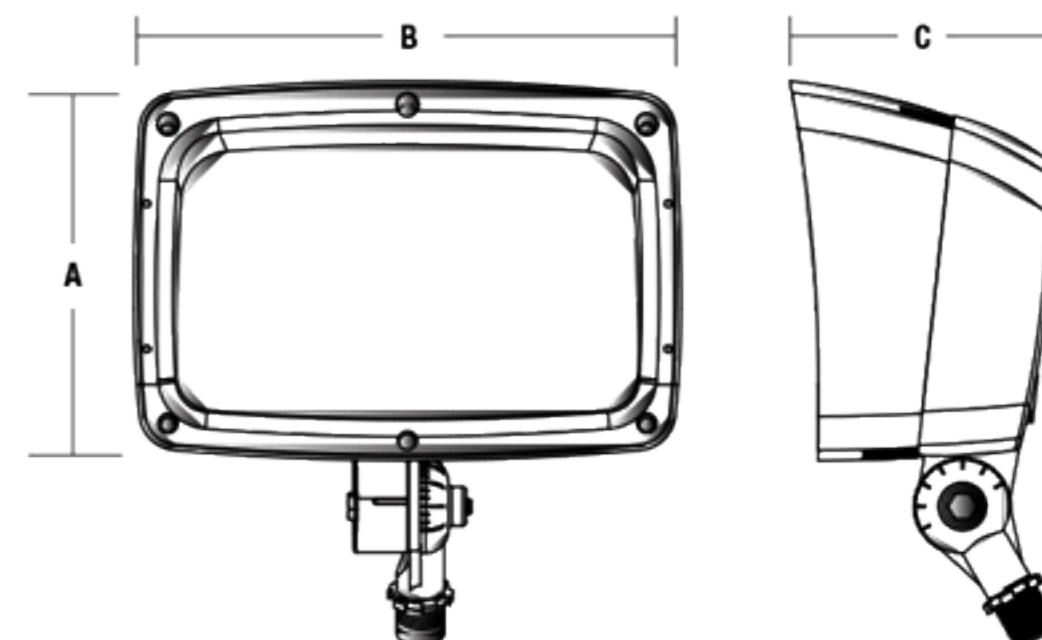
PRODUCT IMAGE(S)



NEW



DIMENSIONS



A	B	C	Weight
6.68"	9.63"	4.53"	8.5 lbs.
169 mm	244 mm	115 mm	3.8 kg

CERTIFICATIONS/LISTINGS



IP65

SHIPPING INFORMATION

Catalog Number	G.W(kg)/CTN	Carton Dimensions		
		Length Inch (cm)	Width Inch (cm)	Height Inch (cm)
FML-14 (Single carton 1 pc.)	3.81	11.81"	9.45"	7.48"
FML-14 (Master carton 2 pcs.)	7.61	19.69"	12.40"	8.46"

Carton dimensions for shipping purposes only

ORDERING INFORMATION

Catalog Number	Mount	Max Candle Power	Beam Pattern	Wattage	Drive Current	Voltage	Color Temperature	Lumens	LPW	Weight lbs. (kg)
FML-14	1/2" thread	2805	Wide	53	1050mA	120-277V	5100K	4285	81	8.5 (3.8)
FML-14-PC1	1/2" thread	2805	Wide	53	1050mA	120V	5100K	4285	81	8.5 (3.8)

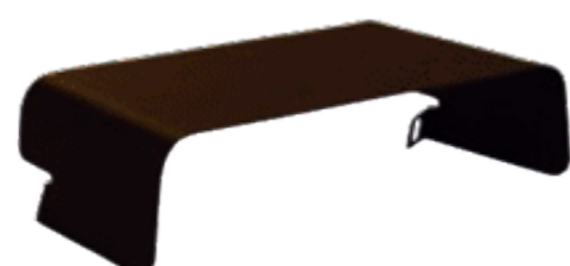
ACCESSORIES/REPLACEMENT PARTS - Order Separately

Catalog Number	Description
FML-SPC	Polycarbonate lens (Replaces existing acrylic outer frame)
FML-VISOR-XX¹	Top/Bottom visor (Tap holes in lens frame for field installation)
93047961AC	Acrylic lens w/ gasket
93047971	50w, Driver 1050mA
20750110264	Knuckle mount Dark Bronze finish. Contact factory for additional finishes
S-302	Slipfits 1 1/2" or 2" pipe (1.9" OD or 2 3/8" OD) with 1/2" N.P.S.M. hub; Gray
S-302-M51	Slipfits 1 1/2" or 2" pipe (1.9" OD or 2 3/8" OD) with 1/2" N.P.S.M. hub; Bronze
S-302-M52	Slipfits 1 1/2" or 2" pipe (1.9" OD or 2 3/8" OD) with 1/2" N.P.S.M. hub; White

¹ Specify finish color to match fixture, e.g. DB - Bronze.



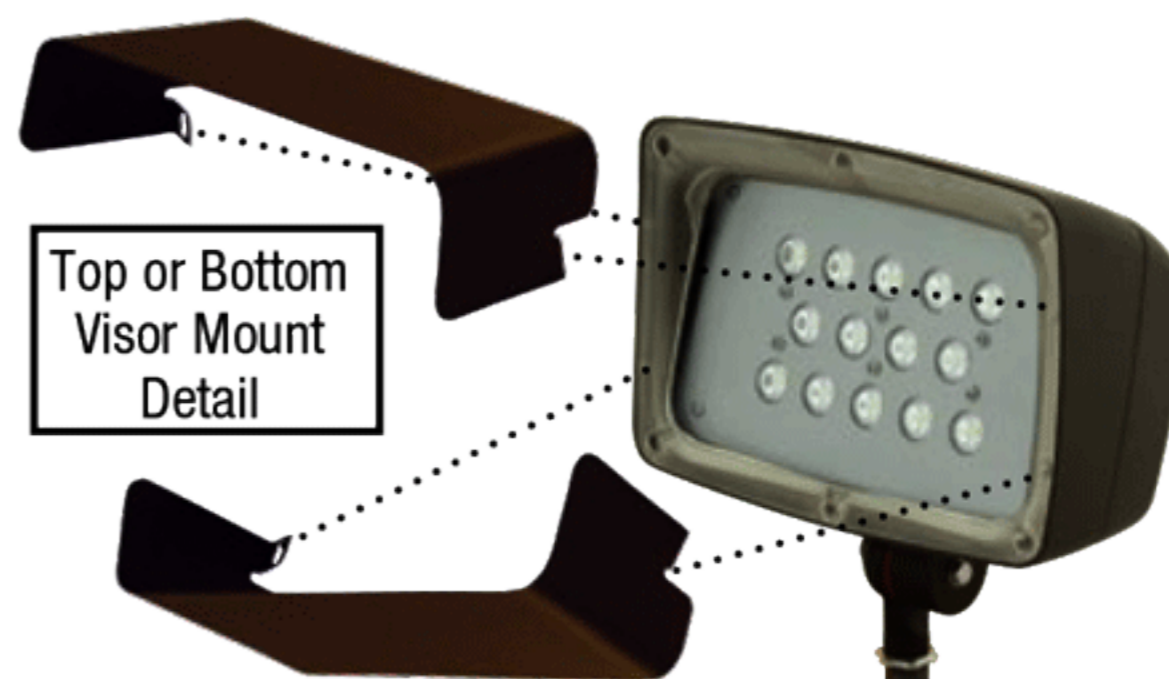
FML-SPC



FML-VISOR - 3/4 View



Front View



Top or Bottom Visor Mount Detail



S-302-XXX



HUBBELL
Outdoor Lighting

Hubbell Outdoor Lighting • 701 Millennium Boulevard • Greenville, SC 29607 • Phone: 864-678-1000

Due to our continued efforts to improve our products, product specifications are subject to change without notice.

© 2013 HUBBELL OUTDOOR LIGHTING, All Rights Reserved • For more information visit our website: www.hubbelloutdoor.com • Printed in USA

FML14-SPEC 10/14