

LNC SERIES

Cat.#

Job

Type



HUBBELL
Outdoor Lighting

Approvals

SPECIFICATIONS

Intended Use:

The compact LED LNC is designed for entry/perimeter illumination for safety, security and identity. Typical mounting height is up to 12 feet with 40ft fixture spacing (without acrylic diffuser) and 30ft spacing with acrylic diffuser installed. Photocontrol option is available to provide dusk-to-dawn control for additional energy savings.

Construction:

Decorative die-cast aluminum housing and door. Rugged design protects internal components and provides excellent thermal management for long life – 60,000 hours minimum LED life at L96 rating per IESNA TM-21-11. Powder paint finishes provide lasting appearance in outdoor environments.

Optics/Electrical

LED:

Drivers are 120-277V, 50/60Hz 5000K/70 CRI Type III and Type IV lenses provide wide lateral spread. 0-10V dimming 120-277V only.

- LNC5L – 5 LEDs, 12.6w, .11 amp max, 967 lumens, Type III only
- LNC7L – 7 LEDs, 16.4w, .14 amp max, 1147 lumens, Type III or IV
- LNC9L – 9 LEDs, 20.6w, .18 amp max, 1460 lumens, Type III or IV
- Minimum operating temperature is -40°C/-40°F
- Drivers have greater than .90 power factor and less than 20% Total Harmonic Distortion

Lenses:

Full cut-off distribution; Ambient diffuser included, use for applications near entrances or locations where reduced brightness is desired.

Installation:

Quick mount adapter provides quick installation, designed for both recessed box or surface conduit wiring. Fits 4" square junction box.

Listings:

Listed and labeled to UL 1598 for wet locations, 25° C ambient environments. Some models meet DesignLights Consortium (DLC) qualifications, consult DLC website for more details:
<http://www.designlights.org/QPL>

- IES Progress Award Winner - 2012

Warranty:

Five year limited warranty (for more information visit: <http://www.hubbelloutdoor.com/resources/warranty/>)

PRODUCT IMAGE(S)



LNC-5L



LNC-7L

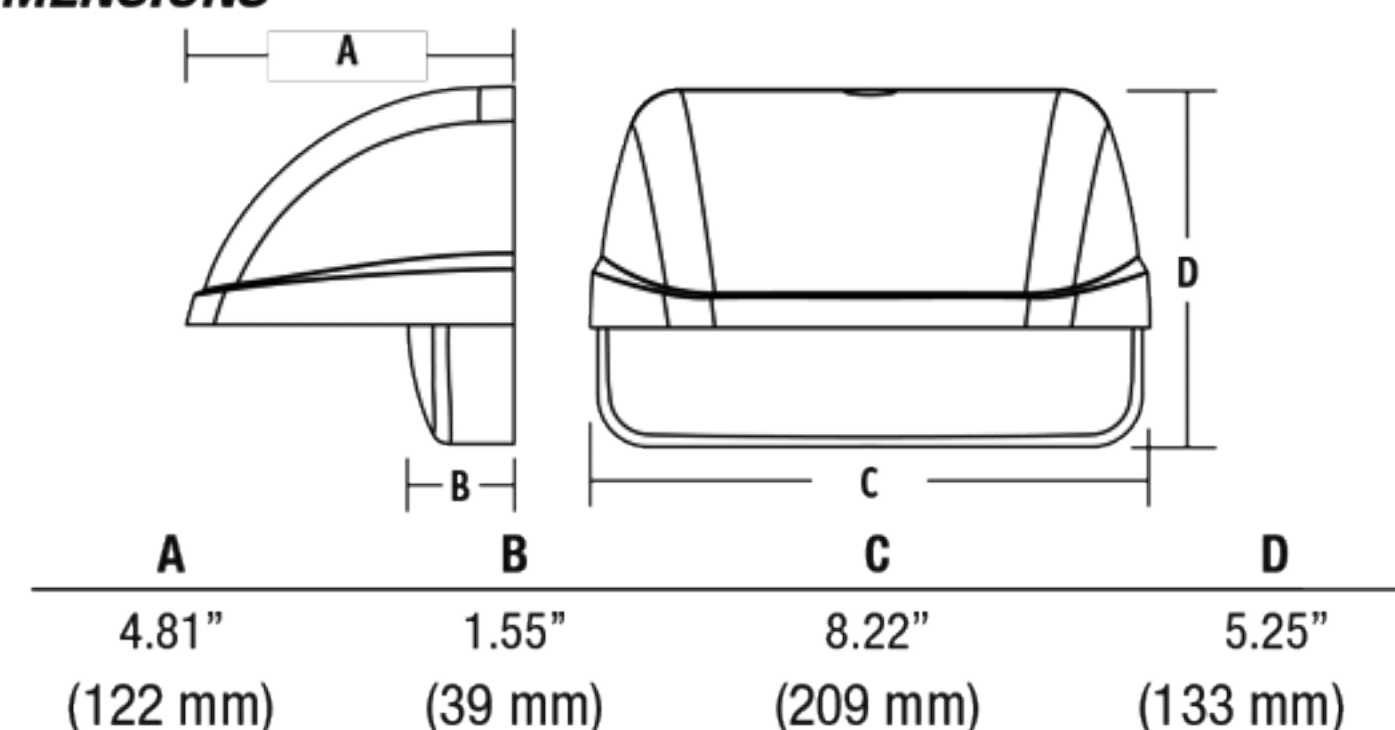


LNC-9L



With diffuser

DIMENSIONS



CERTIFICATIONS/LISTINGS



SHIPPING INFORMATION

Catalog Number	G.W(kg)/CTN	Carton Dimensions			Carton Qty. per Master Pack
		Length Inch (cm)	Width Inch (cm)	Height Inch (cm)	
LNC-5LU	9.6 (4.36)	14.5 (37)	9.6 (24.5)	6.8 (17.5)	2
LNC-7LU	9.6 (4.36)	14.5 (37)	9.6 (24.5)	6.8 (17.5)	2
LNC-9LU	9.6 (4.36)	14.5 (37)	9.6 (24.5)	6.8 (17.5)	2

ORDERING INFORMATION LNC-5L and LNC-7L/9L (Order tree below)

CATALOG NUMBER	WATTAGE	NUMBER OF LEDS	VOLTAGE	LUMENS ¹	LIFE ²	CCT	WEIGHT LBS. (KG)
LNC-5LU-5K	12.6w	5	120-277V	967	60,000hrs	5000k	4.0 (1.8)
LNC-5LU-5K-PC	12.6w	5	120V	967	60,000hrs	5000k	4.0 (1.8)

1 Acrylic diffuser accessory lumen output is 650 with increased uniformity in the Type III distribution

2 Projected per IESNA TM-21-11

ORDERING EXAMPLE: LNC-9LU-5K-3-1-PC1

SERIES	NUMBER OF LEDS/SOURCE/VOLTAGE	CCT	IES DISTRIBUTION	FINISH	OPTIONS
LNC Laredo Cut-off	7LU 7 LEDs, Universal voltage 120-277V 9LU ³ 9 LEDs, Universal voltage 120-277V	3K 3000K nominal, 70 CRI 4K ³ 4200K nominal, 70 CRI 5K ³ 5000K nominal	3 ³ Type III 4 ³ Type IV	1 Bronze 2 Black 3 Gray 4 White 5 Platinum	PC(X) ¹ Button photocontrol, replace X with voltage, specify 1-120V, 2-208V, 3-240V, 4-277V

1 When PC is ordered, input must match PC voltage

2 Amber LEDs only available on 7LU and 9LU configurations, 350 mA only

3 DesignLights Consortium (DLC) qualified 5/7/9 models 4 and 5K only



Hubbell Outdoor Lighting • 701 Millennium Boulevard • Greenville, SC 29607 • Phone: 864-678-1000

Due to our continued efforts to improve our products, product specifications are subject to change without notice.

© 2014 HUBBELL OUTDOOR LIGHTING, All Rights Reserved • For more information visit our website: www.hubbelloutdoor.com • Printed in USA

LAREDO LNC-SPEC 9/14