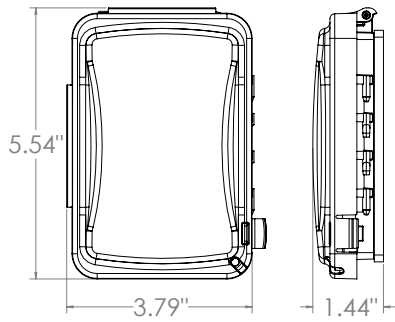


PROOF

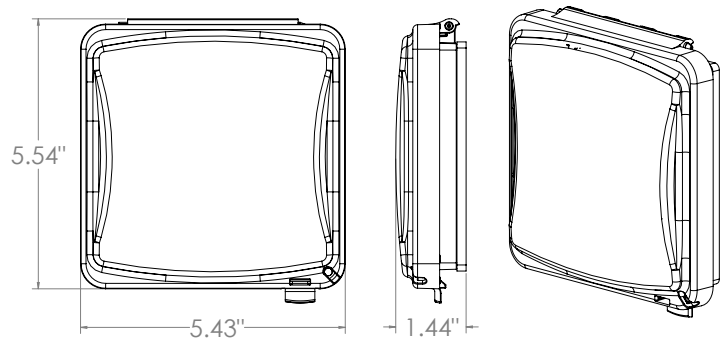
DETAILED DRAWINGS

PLASTIC FLAT COVERS

MM110

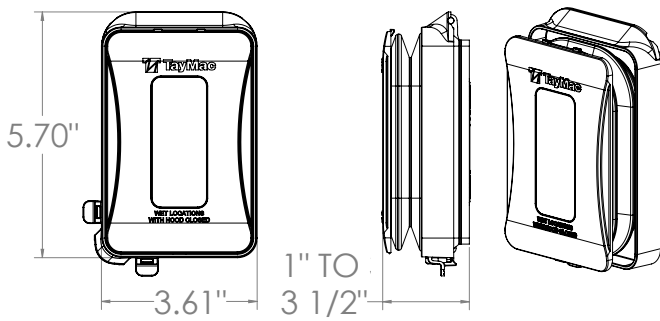


MM1410

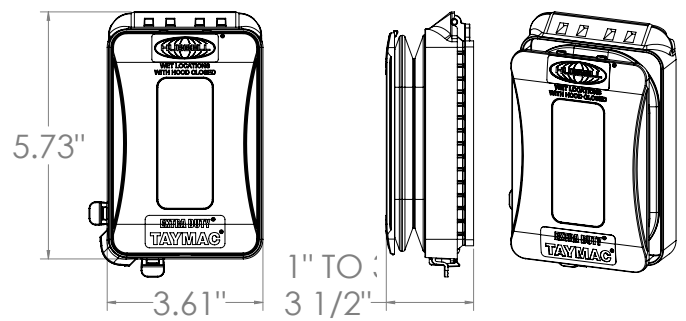


LOW PROFILE IN-USE COVERS

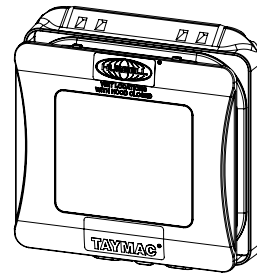
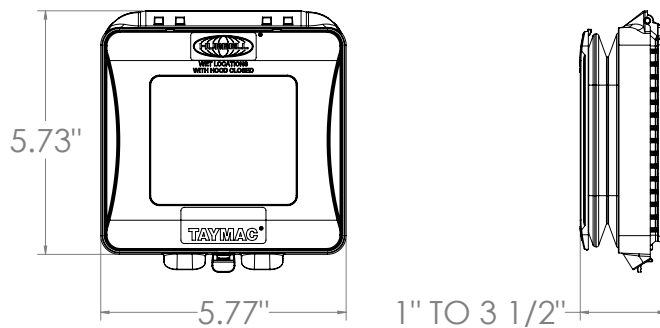
ML450



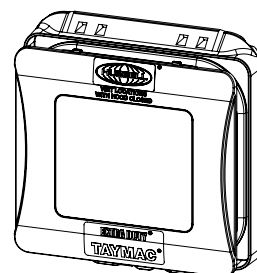
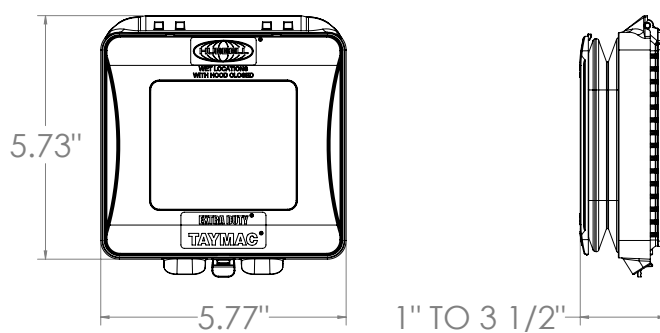
ML500



ML2450



ML2500



NON-METALLIC LOW PROFILE WHILE-IN-USE COVERS

1-GANG



APPLICATIONS

- Low profile design that is expandable for weatherproof protection while an outlet is in use.

PRODUCT FEATURES

- Revolutionary patented design expands from 1" to 3-1/2" to for while-in-use needs
- 100% paintable surface
- Ultra rugged polycarbonate & synthetic neoprene rubber will not dry rot, crack or deteriorate in sunlight
- Includes attached gasket and mounting hardware
- Patented Quick-Fit™ keyhole mounting system allows installation in under a minute

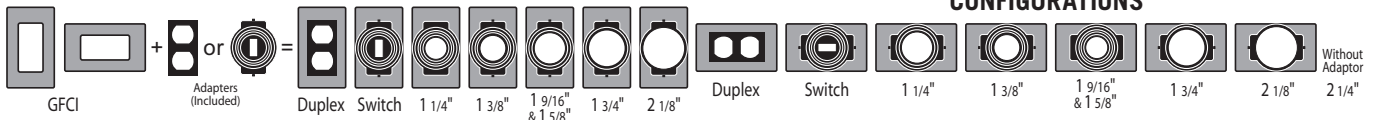
COMPLIANCES

- UL File E116141
- 2014 NEC® compliant (article 406.9)
- NEMA 3R rated

U.S. Patents: 8,101,861; 8,319,334; 8,053,671

16ⁱⁿ1

CONFIGURATIONS



2-GANG



55ⁱⁿ1

CONFIGURATIONS



Multiple Combinations of GFCI, Duplex, Switch, and Rounds:
1-1/4" 1-3/8" 1-9/16" 1-11/16" 2-1/8" 2-1/4" 2-7/16" & 1-5/8"

CATALOG #	DESCRIPTION	DEPTH	COLOR	PKG. TYPE	STD. PKG.	BARCODE
1-Gang Flat Expandable In-Use Covers						
ML450G	16-in-1 Flat Expandable Vertical/Horizontal	1" to 3.5"	Gray	Shrink	10	
ML450W	16-in-1 Flat Expandable Vertical/Horizontal	1" to 3.5"	White	Shrink	10	
ML450Z	16-in-1 Flat Expandable Vertical/Horizontal	1" to 3.5"	Bronze	Shrink	10	
ML500G	16-in-1 Flat Expandable Vertical/Horizontal, Extra Duty®	1" to 3.5"	Gray	Shrink	10	
ML500W	16-in-1 Flat Expandable Vertical/Horizontal, Extra Duty®	1" to 3.5"	White	Shrink	10	
ML500Z	16-in-1 Flat Expandable Vertical/Horizontal, Extra Duty®	1" to 3.5"	Bronze	Shrink	10	
2-Gang Flat Expandable In-Use Covers						
ML2450G	55-in-1 Flat Expandable	1" to 3.5"	Gray	Shrink	6	
ML2500G	55-in-1 Flat Expandable, Extra Duty®	1" to 3.5"	Gray	Shrink	6	

SEE END OF SECTION (PG C17) FOR DETAILED DRAWINGS >>

