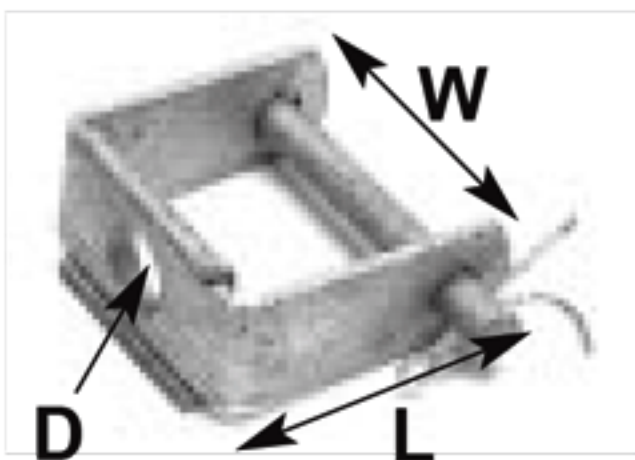




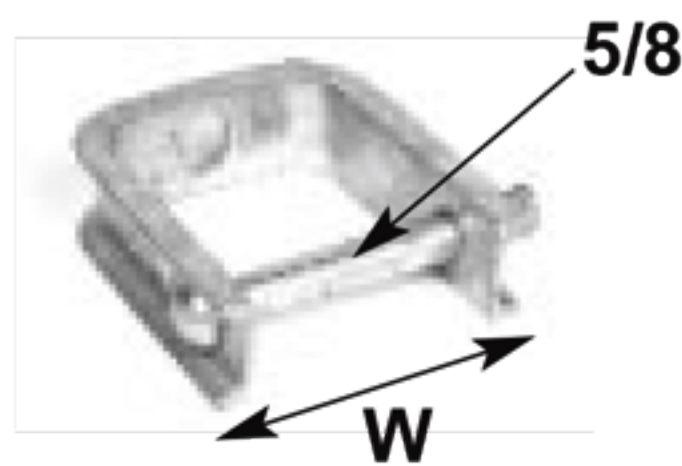
Steel Clevises

Cat.No.	D	L	W	Steel Section	Description	Std.Pkg.	Wt.-lbs./ C
222CL	11/16	2	2-1/4	11ga x 1		20	38
414CL	11/16	4-1/4	2-1/4	3/16 x 1-1/2		25	100
517CL	11/16	5-1/4	3-1/8	3/16 x 1-1/2		25	120
212CNW	11/16	2-1/2	2-1/4	3/16 x 1-3/4	C/W Wet insulator	25	140
314CL	11/16	4	3-1/4	1/4 x 2		10	220
314CLU	11/16	3-1/2	3-1/4	1/2 x 1-1/4	Channel Type	25	160
1316CL	11/16	3	1-3/16	1/4 x 1/2		25	180
114CL	13/16	2	1-1/4	3/8 x 2	Bolt head clevis	25	190
414CL-1	11/16	4 1/4	2 1/4	3/16 x 1 1/2	-	25	100
314CLU-OH	13/16	3 1/2	3 1/4	1/2 x 1 1/4	Channel Type	25	160
24236TC	2-3/16	3/4		10 ga.	"pig's ear" tens. 10M # yield 6M #	50	80
214CLB	11/16	4-3/4	2-1/4	11 ga & 1/4	Swivel devis	25	105
214CLA	11/16	4-3/4	2-1/4	11 ga & 1/4	Straight devis	25	105
214CL	11/16	4-3/4	2-1/4	11 ga & 1/4	Clevis only c/w Insulator	25	120
2314CL	11/16	8	3-1/4	1/4 x 2	Double clevis	20	290

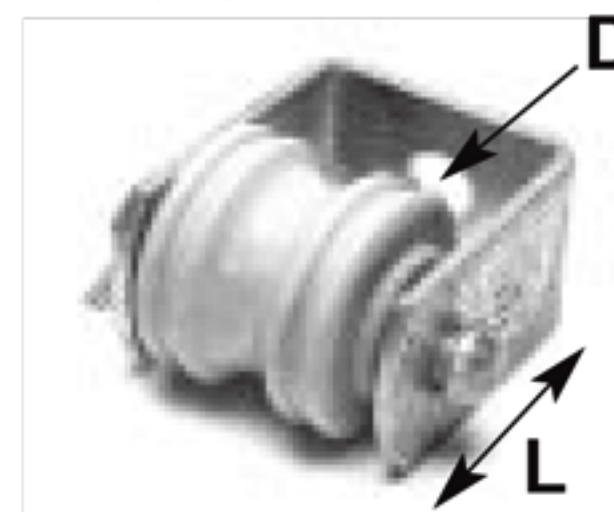
All Clevises accommodate Spool Insulators #1606WSPG and #355WSPG, see page 36.



222CL



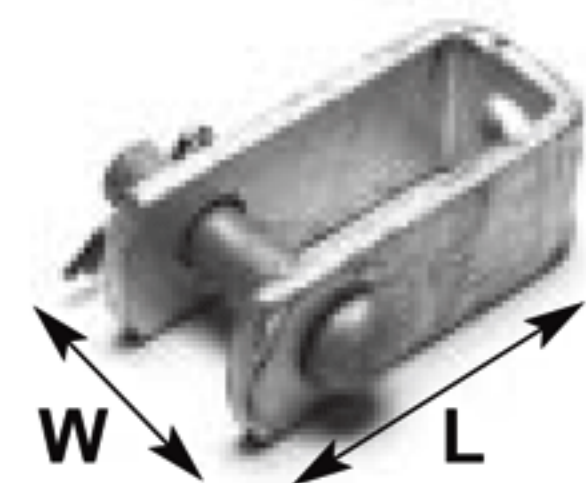
314CLU



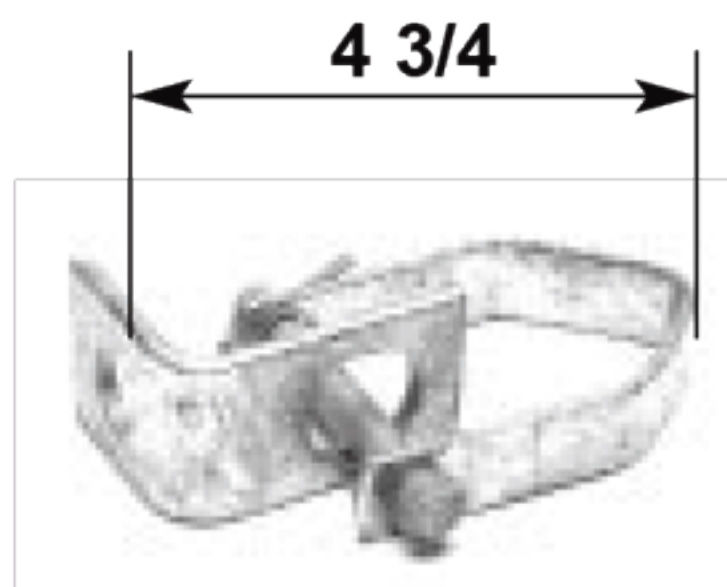
212CNW



24236TC



1316CL



214CLB



217U



2314CL



Also available with 13/16 Bolt

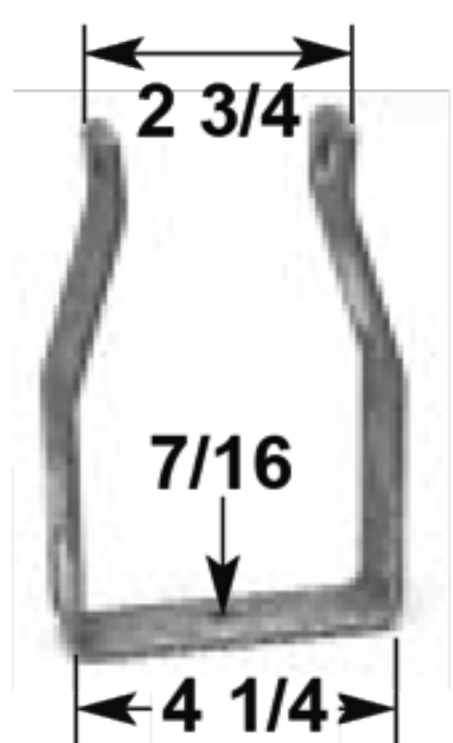
114CL



414CL1



517CL



717CL