



# Communication Hardware

## WEDGE GRIPS & DRIVE HOOKS

### Drive Hook

Hot dip Galvanized. C.S.A. Drawing No. H-3.

Cat.No.	D	L	Std. Pkg.	Wt.-lbs./ C
765DH	7/16" Diameter	5"	100	36



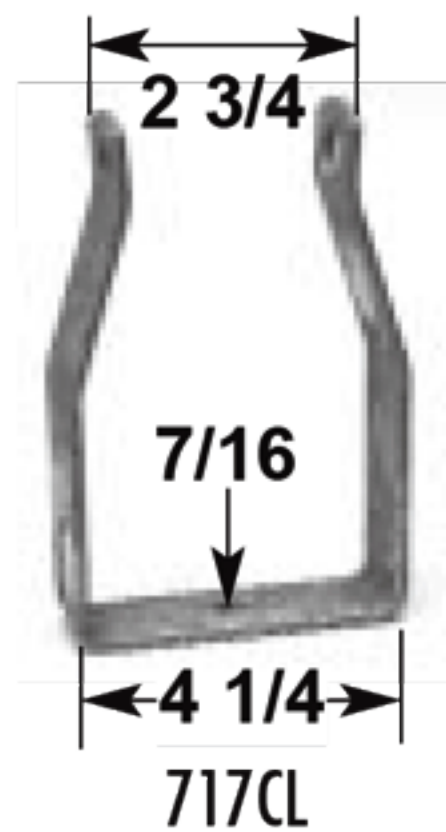
765DH

### Shackle: Dead End

Fits a 3 1/4 x 4 1/4 cross arm - used to break or dead end bare signal wires.

Cat. No.	Hole Size	Std.Pkg.	Wt.-lbs./ C
717CL	3/8	25	300

Comes complete with 5/8 x 3" Button Head Rivet.



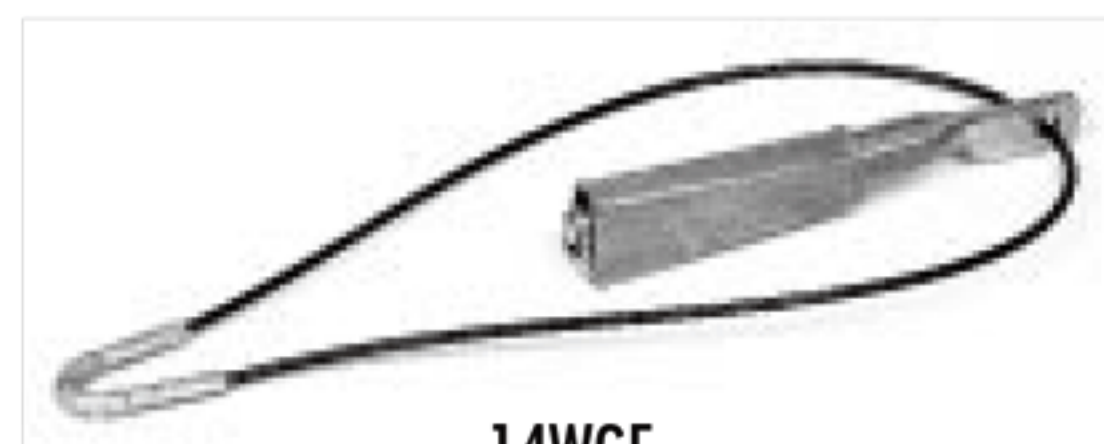
717CL

### Wedge Grips

Cat.No.	Flexible Bail No.	Range			Std.Pkg.	Wt.-lbs./ C	Blackburn Cross Reference (Solid Bail)
		Wire Stranded	Solid	A.C.S.R.			
14WG	14WGF	1-4	1-4	2-6	50	17	W62AA
103WG	103WGF	1/0-3	1-2	1/0-4	50	32	W20AA
4020WG	4020WGF	4/0-2/0	-	4/0-1/0	50	35	W40AA



14WG



14WGF