

**LED 12VDC MAGNETIC DIMMABLE  
100W POWER SUPPLY**  
by  
**GM Lighting**

Project: \_\_\_\_\_  
Type: \_\_\_\_\_  
Location: \_\_\_\_\_  
Contact Phone: \_\_\_\_\_

**PRODUCT DESCRIPTION**

Class II hardwire LED dimming magnetic power supply that works with conventional low voltage magnetic wall mount dimmer with on/off switch. No minimum load (can be fully loaded). Auto reset thermal circuit breaker on the secondary side.

**PRODUCT SPECIFICATIONS**

**Construction:** Transformer is encapsulated in all metal construction enclosure. Enclosure temperature should not exceed 70°C (158°F) @ 40°C (104°F) ambient. Wiring compartment has 2 knockouts. Removable cover for wiring compartment is secured in place by screw. Black powder coated.

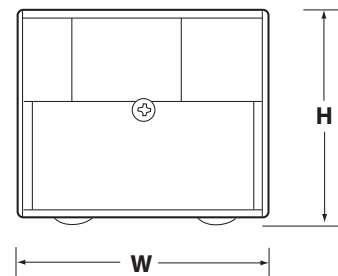
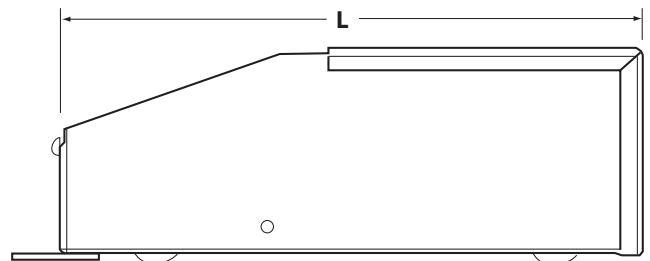
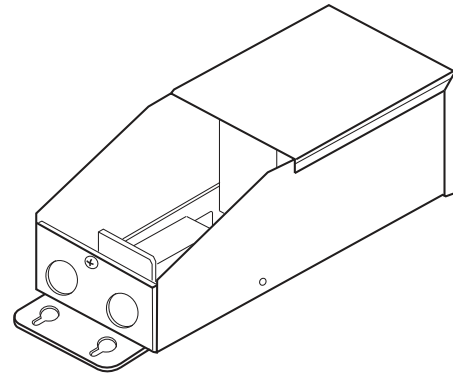
**Electrical:** Thermal class B-130C. Input leads are 20 AWG. Output leads are 16 AWG. Lead insulation rated to 105°C (221°F). Transformer utilizes a class B 130°C (266°F) insulation system. Maximum load is 100W. Coil former is double section bobbin. Auto reset.

**Dimming:** Works with low-voltage magnetic wall dimmer with on/off switch.

**Mounting:** Surface mount with front mounting tab.

**Warranty:** 4 years.

**Label:** ETL listed for indoor and outdoor use.



Catalog Number	Max. Wattage	Input Voltage	Output Voltage	Input Current	Open Circuit	Output Current	Weight	Dimensions		
								L	W	H
LTHM100-DIM	100W	120V/60Hz	12VDC	898mA	12.5VDC	8.05A	6 lbs.	9.21"	3.11"	2.93"

For voltage drop - see [www.gmlighting.net/voltagedrop.html](http://www.gmlighting.net/voltagedrop.html) or consult GM Lighting Product catalog, page 19.



GM Lighting, LLC • 9830 W. 190th St. • Unit F • Mokena, IL 60448  
Toll-Free: (866) 671-0811 FAX: (708) 478-2640 • [www.gmlighting.net](http://www.gmlighting.net)  
e-mail: [gmlightingllc@sbcglobal.net](mailto:gmlightingllc@sbcglobal.net) • Specifications subject to change without notice.  
LTHM100-DIM\_020412