

12VDC 3W LED ACCENT / TASK SINGLE PUCK, THREE PUCK KIT AND ACCESSORIES

PROJECT	TYPE
CATALOG NUMBER	

PRODUCT DESCRIPTION

Available as a single puck, or in a 3-puck kit with power supply, GM Lighting's 3W Accent / Task Dimmable Puck is an easy to install solution for undercabinet lighting where shallow surface mounting is desired, as well as a modern, clean look. The DP-3 and DPK Series packs in a lot of features that will insure years of maintenance free, warm and natural illumination.

PRODUCT SPECIFICATIONS

Construction: Aluminum body and acrylic lens that is designed to withstand normal operating temperatures. Captive frosted lens.

Electrical: 12VDC. DPK Series comes with power supply.

Color Temperature: 3000K Warm White. (±200).

CRI: 80+

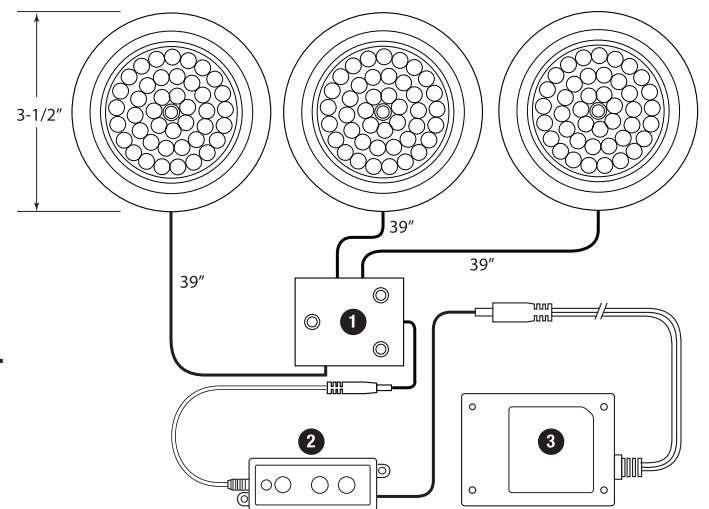
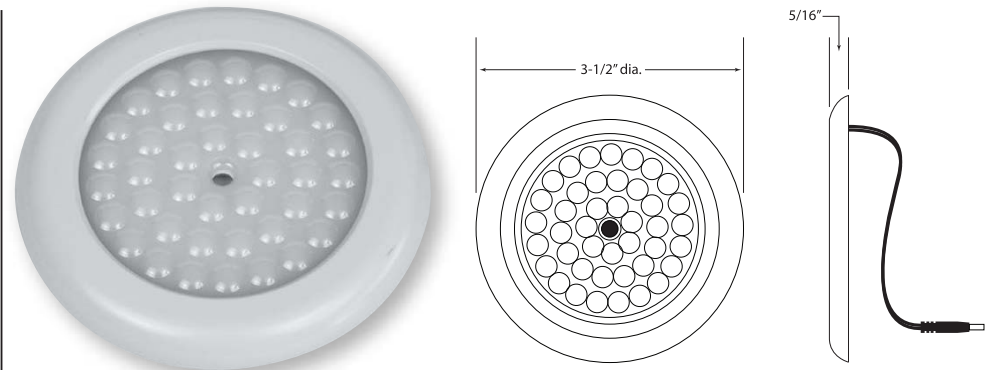
Dimming: With included Inline Dimmer (DPK Series only) or GM Lighting LED Magnetic Dimmable Power Supplies.

Mounting: Surface mount.

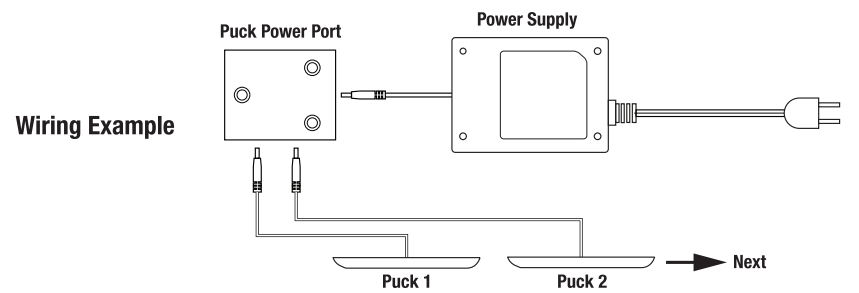
Flexible Connectors: See chart below.



DP-3 SERIES ACCESSORIES - AVAILABLE IN BLACK OR WHITE	
DPDS-B (or W)	IN LINE DIMMER SWITCH - BLACK / WHITE
DPPS-24	24W POWER SUPPLY WITH 39" CORD AND PLUG - BLACK
DPSP4-B (or W)	4-PUCK POWER PORT - BLACK / WHITE
DPSP8-B (or W)	8-PUCK POWER PORT - BLACK / WHITE
GMC-MF-24-W (or B)	24" MALE TO FEMALE CONNECTOR - WHITE / BLACK
GMC-MF-39-W (or B)	39" MALE TO FEMALE CONNECTOR - WHITE / BLACK
GMC-MF-60-W (or B)	60" MALE TO FEMALE CONNECTOR - WHITE / BLACK
GMC-MM-3-B	3" MALE TO MALE CONNECTOR - BLACK
GMC-MM-3-W	3" MALE TO MALE CONNECTOR - WHITE
GMC-MM-6-B	6" MALE TO MALE CONNECTOR - BLACK
GMC-MM-6-W	6" MALE TO MALE CONNECTOR - WHITE
GMC-MM-12-W (or B)	12" MALE TO MALE CONNECTOR - WHITE / BLACK
GMC-MM-24-W (or B)	24" MALE TO MALE CONNECTOR - WHITE / BLACK
GMC-MM-39-W (or B)	39" MALE TO MALE CONNECTOR - WHITE / BLACK
GMC-FF-3-B	3" FEMALE TO FEMALE CABLE CONNECTOR - BLACK
GMC-FF-3-W	3" FEMALE TO FEMALE CABLE CONNECTOR - WHITE
GMC-PS-24-B (or W)	24" POWER SUPPLY CONNECTOR - BLACK / WHITE
GMC-PS-48-B (or W)	48" POWER SUPPLY CONNECTOR - BLACK / WHITE
GMC-PS-60-B (or W)	60" POWER SUPPLY CONNECTOR - BLACK / WHITE



Key to DPK-9 Diagram:
 1. 4 puck power port.
 2. Inline dimmer.
 3. Power supply.
Custom configurations available. Consult factory.



TECHNICAL SPECS	
WATTAGE	3W (3 x 3W FOR DPK-9 KIT)
BEAM SPREAD	90°
POWER	12VDC
PUCK DIMENSIONS	3-1/2" X 5/16"
LUMENS	150 lm
CRI	80+
COLOR TEMP.	3000K (± 200K)

Catalog No.	Lamping	Description	Wattage	Dimensions	Mounting	Finish
DP-3-W	LED 150 lumens/puck	Individual Puck with 39" Lead with Male Plug	3W	3-1/2" x 5/16"	Surface	White
DP-3-BZ	LED 150 lumens/puck		3W	3-1/2" x 5/16"		Bronze
DP-3-BNK	LED 150 lumens/puck		3W	3-1/2" x 5/16"		Brushed Nickel
DPK-9-W	LED 150 lumens/puck	3-Puck Kit with Switched Cord, Plug, Inline Dimmer and Power Supply	3 x 3W	3-1/2" x 5/16"	Surface	White
DPK-9-BZ	LED 150 lumens/puck		3 x 3W	3-1/2" x 5/16"		Bronze
DPK-9-BNK	LED 150 lumens/puck		3 x 3W	3-1/2" x 5/16"		Brushed Nickel

Individual pucks are supplied with 39" lead with male plug. Surface mount only.