

**LED 24VDC MAGNETIC DIMMABLE
300W POWER SUPPLY**

by

GM Lighting

Project: _____

Type: _____

Location: _____

Contact Phone: _____

PRODUCT DESCRIPTION

A hardwire LED dimming magnetic power supply that works with conventional 24V magnetic wall mount dimmer with on/off switch. No minimum load (can be fully loaded). Manual reset thermal 4A circuit breaker on the primary side.

PRODUCT SPECIFICATIONS

Construction: Transformer is encapsulated in all metal construction enclosure. Enclosure temperature should not exceed 65°C (149°F) @ 40°C (104°F) ambient. Wiring compartment has 3 knockouts, sized for 3/4" screw cable connectors. Wiring compartment cover hinged with rivets and opens vertically from bottom to top. Black powder coated. Enclosure type: NEMA 3R Outdoor.

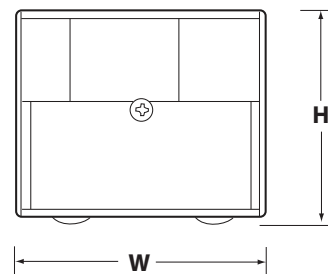
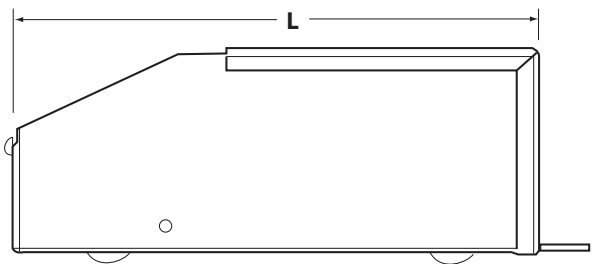
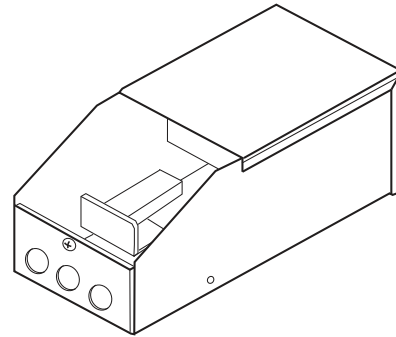
Electrical: Thermal class B-130C. Input leads are 18 AWG. Output leads are 16 AWG. Lead insulation rated to 105°C (221°F). Transformer utilizes a class B 130°C (266°F) insulation system. Maximum load is 300W. Coil former is double section bobbin.

Dimming: Works with low-voltage magnetic wall dimmer with on/off switch.

Mounting: Surface mount with front mounting tab.

Warranty: 4 years.

Label: UL listed for indoor and outdoor use.



Catalog Number	Max. Wattage	Input Voltage	Output Voltage	Input Current	Open Circuit	Output Current	Weight	Dimensions		
								L	W	H
LTHM300-DIM-24	300W	120V/60Hz	24 VDC	0.6A	24VDC	12A	9 lbs.	9.0"	4.1"	3.1"

GM Lighting

GM Lighting, LLC • 9830 W. 190th St. • Unit F • Mokena, IL 60448
 Toll-Free: (866) 671-0811 FAX: (708) 478-2640 • www.gmlighting.net
 e-mail: gmlightingllc@sbcglobal.net • Specifications subject to change without notice.
 LTHM300-DIM-24_052013