

**LED ELECTRONIC  
DIMMABLE POWER  
SUPPLY BY**



Project: \_\_\_\_\_

Type: \_\_\_\_\_

Location: \_\_\_\_\_

Contact Phone: \_\_\_\_\_

**PRODUCT DESCRIPTION**

AC input / full range electronic power supply that features short circuit, overload, and over voltage protection. 12VDC output 120VAC input 85%+ typical efficiency. ELV dimmable, power supplies can be fully loaded.

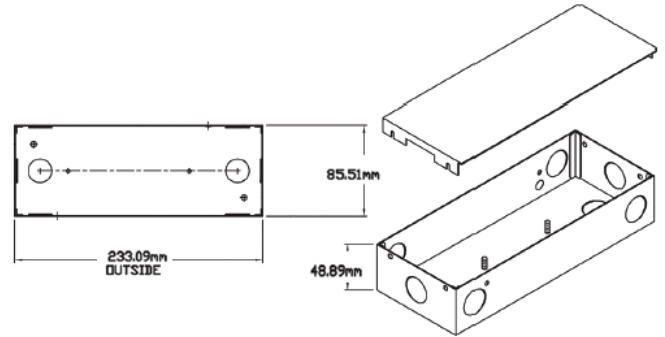
**PRODUCT SPECIFICATIONS**

**Construction:** Full metal enclosure. No external fusing required. High operating temperature up to 90°C (158° F). Maximum case temperature. Plug in unit has plastic housing and on/off rocker switch, 60" cord and 3 prong plugin. Plug in unit is also dimmable.

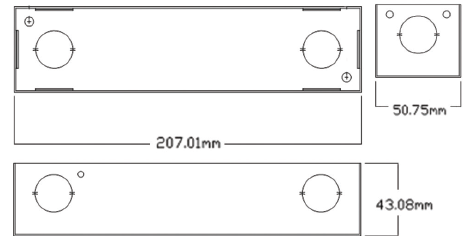
**Electrical:** Output voltage 12VDC , overload protection. Overload recovers automatically after fault condition is removed. Has 4" hardwire leads inside, 6 knockouts, and screw mounted enclosure cover.

**Label:** cRUuslisted. meets UL 2108 requiremen

Not rated for outdoor use. Dry location only



LTFD-60



| Catalog Number | Max. Wattage | Input Voltage  | Output Voltage | Weight  | Dimensions |       |      |
|----------------|--------------|----------------|----------------|---------|------------|-------|------|
|                |              |                |                |         | L          | W     | H    |
| LTFD-60        | 60W          | PLUG IN 120VAC | 12VDC          | 1.50LBS | 3"         | 1.50" | 3.0" |
| LTF-30-12      | 30W          | 120VAC         | 12VDC          | 1.50LBS | 8"         | 2.0"  | 2.0" |
| LTF-60-12      | 60W          | 120VAC         | 12VDC          | 1.50LBS | 8"         | 2.0"  | 2.0" |
| LTF-100-12     | 100W         | 120VAC         | 12VDC          | 2.0LBS  | 9.5"       | 3.5"  | 2.0" |
| LTF-200-12     | 200W         | 120VAC         | 12VDC          | 2.0 LBS | 9.5"       | 3.5"  | 2.0" |
| LTF-300-12     | 300W         | 120VAC         | 12VDC          | 2.0 LBS | 9.5"       | 3.5"  | 2.0" |

For voltage drop - see [www.gmlighting.net/voltagedrop.html](http://www.gmlighting.net/voltagedrop.html) or consult GM Lighting Product catalog, page .

