

### 12VDC HIGH POWER LED INDIVIDUAL OR THREE PUCK KIT WITH POWER SUPPLY AND SWITCHED CORD AND PLUG

PROJECT	TYPE
CATALOG NUMBER	

#### PRODUCT DESCRIPTION

A surface or recess mount 12VDC, 3W High Power 3000K LED puck that is available in white, black, bronze or brushed nickel. Prismatic glass lens delivers even light distribution. Available as single pucks or in a 3-puck kit that includes switched cord and plug with inline power supply. Dimmable power supplies available, sold separately.

#### PRODUCT SPECIFICATIONS

**Construction:** All metal construction with prismatic glass lens.

**Electrical:** LED is 3W, 12VDC 50,000 hour LED life. Constant voltage LED Puck power supply.

**Power Supplies:** 3 puck kit comes with in-line power supply with 72" cord and plug. Use single puck(s) with any 12VDC power supply.

**Plug-in driver supplied in kit is not dimmable.**

**Dimming:** Product can be dimmed using 12VDC dimmable supplies.

**Mounting:** Puck can be surface or recessed mounted. Complete mounting hardware and instructions are included. Hardwire or plug-in utilizing 3-puck kit power supply and switched cord and plug.

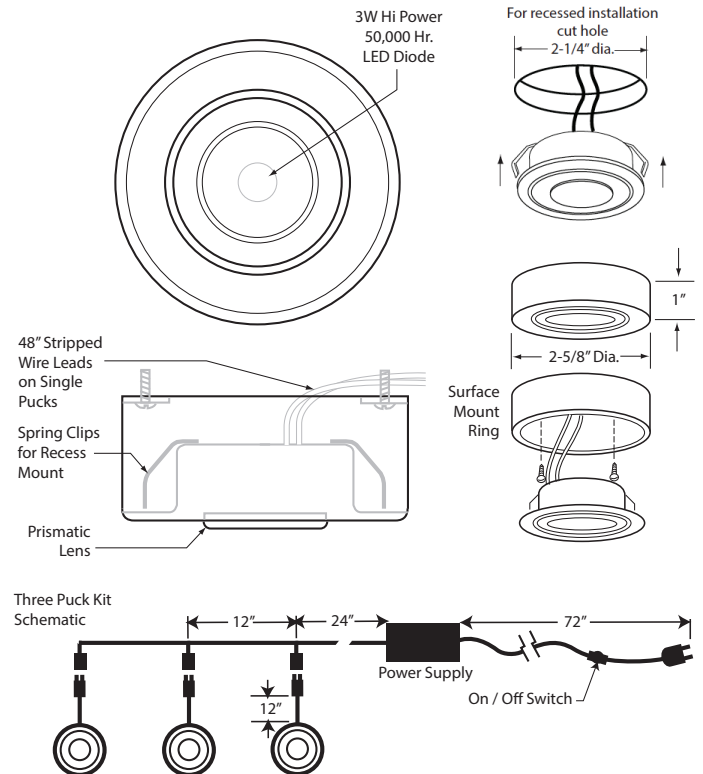
**Rating:** ETL listed.

#### LED TASK PUCK 12VDC POWER SUPPLY

Catalog No.	Description
LTP-2	12VDC 25 WATTS POWER SUPPLY WITH CORD AND PLUG
LTHM-30-DIM	12VDC 30 WATTS DIMMABLE POWER SUPPLY
See Catalog for Additional Power Supply Options	

#### TASK PUCK EXTENSIONS/OPTIONAL ACCESSORIES

Catalog No.	Description
XDP-12	12" LED PUCK EXTENSION
XDP-24	24" LED PUCK EXTENSION
GMSB-W	GM LOW VOLT SPLICE BOX, 2 TERMINAL 2A MAX
GMSB-B	GM LOW VOLT SPLICE BOX, 2 TERMINAL 2A MAX



#### TECHNICAL SPECS

WATTAGE	3W ( 3 X 3W FOR SDPK-9 KIT)
POWER	12VDC
PUCK DIM.	2-5/8" DIA. X 1"
LUMENS	110
CRI	80+
COLOR TEMP.	3000K

Catalog No.	Lamping	Description	Wattage	Dimensions	Mounting	Finish
SDP-3-W	LED 110 LUMENS / PUCK	Individual Puck with 48" Stripped Wire Leads	3W	2-5/8" x 1"	Surface or Recessed	WHITE
SDP-3-B	LED 110 LUMENS / PUCK		3W	2-5/8" x 1"		BLACK
SDP-3-BZ	LED 110 LUMENS / PUCK		3W	2-5/8" x 1"		BRONZE
SDP-3-BNK	LED 110 LUMENS / PUCK		3W	2-5/8" x 1"		BRUSHED NICKEL
SDPK-9-W	LED 110 LUMENS / PUCK	3-Puck Kit with Switched Cord, Plug and Power Supply	3 X 3W	2-5/8" x 1"	Surface or Recessed	WHITE
SDPK-9-B	LED 110 LUMENS / PUCK		3 X 3W	2-5/8" x 1"		BLACK
SDPK-9-BZ	LED 110 LUMENS / PUCK		3 X 3W	2-5/8" x 1"		BRONZE
SDPK-9-BNK	LED 110 LUMENS / PUCK		3 X 3W	2-5/8" x 1"		BRUSHED NICKEL