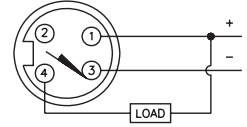
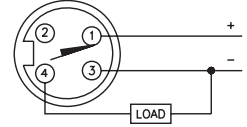
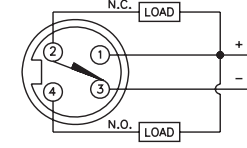
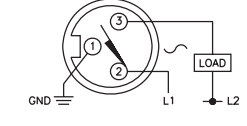


Inductive Sensors

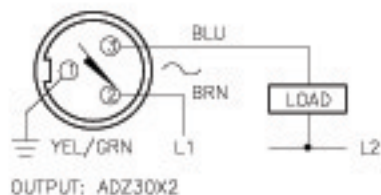


Housing Style	Part Number	ID Number	Features	Sensing Range (mm)	Output
30 mm - Embeddable, minifast® Right Angle Connection 	Bi10-G30-AZ3X-B1431	T4372600		10	2-Wire AC/DC
30 mm - Embeddable, minifast Connection, Teflon Coated 	Bi10-GT30-ADZ30X2-B1131/S34	T4256200	WFI	10	2-Wire AC/DC Short-Circuit Protected
	Bi10-GT30-ADZ30X2-B1131	T4256290		10	
	Bi10-GT30H-ADZ30X2-B1131/S34/S1589	T4255280	armorguard®, WFI	10	
	Bi10U-GT30-ADZ30X2-B1131	M4281622	Uprox	10	
	Bi10-GT30H-ADZ30X2-B1131/S34/S1610	T4207287	armorguard	10	
30 mm - Nonembeddable, minifast Connection 	Ni15-G30-AN6X-B1141	T4695500		15	3-Wire DC NPN
	Ni15-G30-AP6X-B1141	T4696600		15	3-Wire DC PNP
	Ni15-G30-VN4X-B1141	M4590800	Comp. Outputs	15	4-Wire DC NPN
30 mm - Nonembeddable, minifast Connection 	Ni15-G30-AZ3X-B1131	T4372300		15	2-Wire AC/DC
	Ni20-G30-ADZ30X2-B1131	T4205405		20	2-Wire AC/DC Short-Circuit Protected
	Ni20U-G30-ADZ30X2-B1131	M4281812		20	

Voltage	Switching Freq. (Hz)	Operating Current (mA) AC/DC	Operating Temp. (°C)	Protection	Housing	Face	Power LED	Output LED	Mating Cordset	Wiring Diagram #	Wiring Diagrams
20-250 VAC 10-300 VDC	20	≤400/300	-25 to +70	IP 67	CPB	PA 12	N/A		RKM 30-*M	4	<p>Diagram 1</p> 
20-250 VAC 10-300 VDC	20	≤400/300	-25 to +70	IP 67	TC	TC	GN	RD	RKM 30-*M	4	<p>Diagram 2</p>  <p>Diagram 3</p>  <p>Diagram 4</p> 
	20	≤400/300	-25 to +70	IP 67	TC	TC	GN	RD	RKM 30-*M	4	
	20	≤400/300	-25 to +70	IP 67	TC	WG	GN	RD	RKM 30-*M	4	
	20	≤400/300	-30 to +85	IP 67	TC	TC	GN	YE	RKM 30-*M	4	
	20	≤400/300	-25 to +70	IP 67	AG	WG	GN	YE	RKM 30-*M	4	
10-30 VDC	500	≤200	-25 to +70	IP 67	CPB	PA 12	N/A	YE	RKM 40-*M	1	
10-30 VDC	500	≤200	-25 to +70	IP 67	CPB	PA 12	N/A	YE	RKM 40-*M	2	
10-65 VDC	500	≤200	-25 to +70	IP 67	CPB	PA 12	N/A	YE	RKM 40-*M	3	
20-250 VAC 10-300 VDC	20	≤400/300	-25 to +70	IP 67	CPB	PA 12	N/A	RD	RKM 30-*M	4	
20-250 VAC 10-300 VDC	20	≤400/300	-25 to +70	IP 67	CPB	PA 12	GN	RD	RKM 30-*M	4	
	20	≤400/300	-30 to +85	IP 67	CPB	PA 12	GN	YE	RKM 30-*M	4	

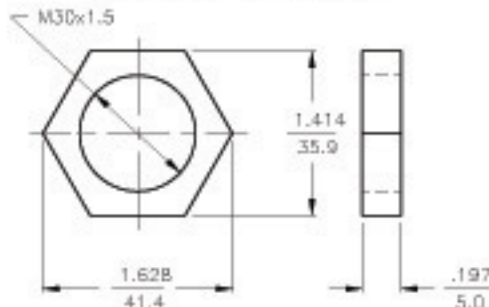
* Length in meters.

WIRING DIAGRAMS



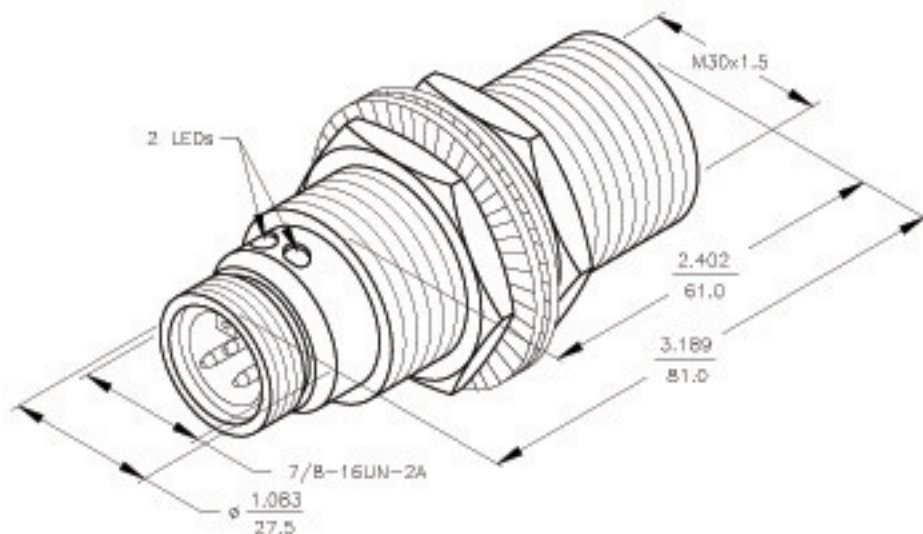
SHORT-CIRCUIT AND OVERLOAD PROTECTED

LOCKNUT LN-MT30



SPECIFICATIONS

OPERATING VOLTAGE	20-250 VAC 10-300 VDC
LINE FREQUENCY	40-60 Hz
DIFFERENTIAL TRAVEL (HYSTERESIS)	3-15% (5% TYPICAL)
VOLTAGE DROP ACROSS CONDUCTING SENSOR	≤ 6.0 V at 400 mA
OUTPUT FUNCTION -ADZ	NORMALLY OPEN 2-WIRE AC/DC SELF-CONTAINED
SHORT-CIRCUIT PROTECTED	YES
TRIGGER CURRENT FOR OVERLOAD PROTECTION	≥ 440 mA
CONTINUOUS LOAD CURRENT	400 mA AC 300 mA DC
OFF-STATE (LEAKAGE) CURRENT	≤ 1.7 mA
MINIMUM LOAD CURRENT	≥ 3.0 mA
INRUSH CURRENT	≤ 4.0 A (≤ 20 ms/5 Hz)
TIME DELAY BEFORE AVAILABILITY	≤ 120 ms
POWER-ON EFFECT PROTECTION	INCORPORATED
PROTECTION AGAINST TRANSIENTS	EN 60947-5-2
OPERATING TEMPERATURE	-25°C to +70°C (±10% DRIFT) -30°C to +85°C (±15% DRIFT)
ENCLOSURE	MEETS NEMA 1, 3, 4, 6, 13 AND IEC IP67
SHOCK	30 g, 11 ms
VIBRATION	55 Hz, 1 mm AMPLITUDE (IN ALL 3 PLANES)
LED FUNCTION	GREEN = POWER ON GREEN FLASHING = SHORT-CIRCUIT WARNING YELLOW = OUTPUT ENERGIZED
RATED OPERATING DISTANCE(S _n)	10 mm = .394" (NOMINAL)
SWITCHING FREQUENCY	60 Hz
REPEATABILITY	≤ 2% OF RATED OPERATING DISTANCE
MATING PLUGS/CABLES	3-PIN "MINIFAST" CONSTRUCTION



NOTES:

1. WELD FIELD IMMUNE. SENSORS IS SUITABLE FOR USE ON RESISTANCE WELDING MACHINES.

2. MATERIALS:
TEFLON COATED BRASS BARREL.
CHROME PLATED BRASS CONNECTOR.
TEFLON COATED BRASS LOCKNUTS.
BLACK CHROMATED STEEL LOCKWASHERS.
TEFLON COATED PA 12-0F3D PLASTIC SENSING FACE.

RELATED DOCUMENTS 1. 2. 3. 4.	3RD ANGLE PROJECTION 	THIS DRAWING IS PROPERTY OF TURCK INC. USE OF THIS DOCUMENT WITHOUT WRITTEN PERMISSION IS PROHIBITED.		TURCK INC High Technology Sensors and Automation Controls	
MATERIAL SEE NOTE 2	TOLERANCES UNLESS OTHERWISE SPECIFIED .X ±0.02 .XX ±0.01 .XXX ±0.005 ANGLES ±1° ALL MILLIMETER DIMENSIONS ARE REFERENCE ONLY	DWGT IK	DATE 9/24/97	DESCRIPTION Bi10U-GT30-ADZ30X2-B1131	
FINISH		USDR	SCALE NONE	IDENTIFICATION NO. M4281622	
		UNIT OF MEASUREMENT INCH [MILLIMETER]		REV B	
B UPDATE TO CURRENT TITLE BLOCK		RDS	09/13/02	5504	
REV	DESCRIPTION	BY	DATE	EDD NO.	
				DO NOT SCALE THIS DRAWING	FILE: M4281622
					SHEET 1 OF 1