

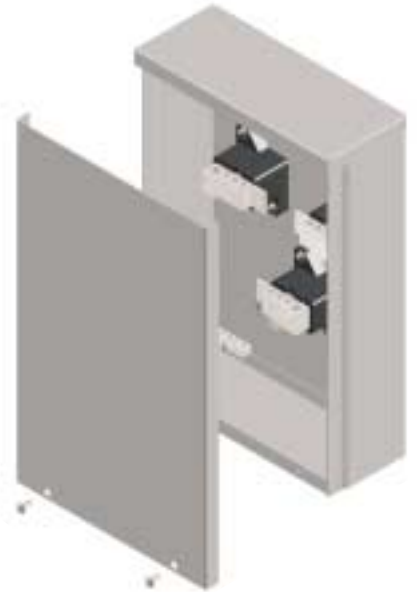


SPLITTER BOXES TYPE 3R

FEATURES AND BENEFITS

- EEMAC/CEMA Type 3R Enclosure (Weatherproof)
- Lift-off cover
- Cu/Al lugging with main and six secondaries
- Designed for pole or wall mounting
- Rural service box
- Galvanized steel construction
- Non-painted finish
- Higher amperage available
- Custom sizes available (consult factory)

Model #	Amp	Mains	Secondaries	Description
APS 100	125	(1) #14 to 1/0	#14 to #2	14"H x 9"W x 3 1/2"D
APS 100-4W	125	(1) #14 to 1/0	#14 to #2	18 1/4"H x 9"W x 3 1/2"D
APS 200	225	(1) #6 to 300 MCM	#14 to 2/0	14"H x 11"W x 5 1/2"D
APS 200-4W	225	(1) #6 to 300 MCM	#14 to 2/0	18 1/4"H x 11"W x 5 1/2"D
APS 200M	225	(2) #6 to 300 MCM	#14 to 2/0	14"H x 11"W x 5 1/2"D
APS 200-OS	225	(1) #6 to 300 MCM	#14 to 2/0	18 1/4"H x 11"W x 5 1/2"D



TRAILER SPLITTER BOXES

- same as above except padlockable

Model #	Amp	Mains	Secondaries	Description
APST 125	125	(1) #14 to 1/0	#14 to #2	14"H x 9"W x 3 1/2"D
APST 225	225	(1) #6 to 300 MCM	#14 to 2/0	14"H x 11"W x 5 1/2"D

ALUMINUM TRAILER SPLITTER BOXES

- same as above except aluminum construction and non-painted finish

Model #	Amp	Mains	Secondaries	Description
APSTA 125	125	(1) #14 to 1/0	#14 to #2	14"H x 9"W x 3 1/2"D
APSTA 225	225	(1) #6 to 300 MCM	#14 to 2/0	14"H x 11"W x 5 1/2"D

