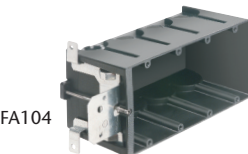
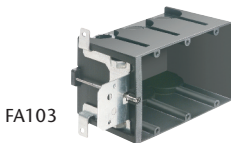
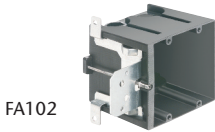
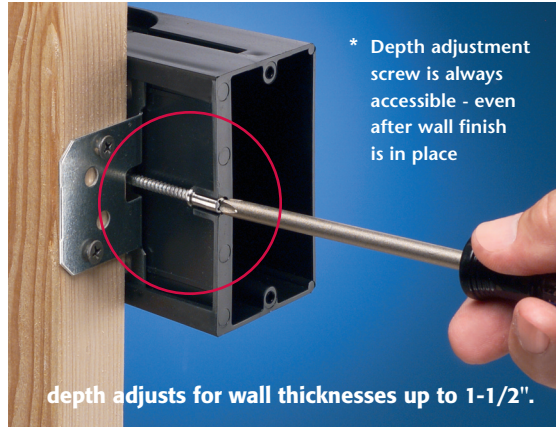


# IN/OUT BOX™ Plastic Outlet Boxes

Made in USA 

**NEW!**  
more on reverse

## Adjustable PLASTIC Outlet Box for New Construction



Catalog Number	UPC/DEI/NAED Mfg. #018997	Description	Number of Gangs / Cubic Inches	Unit/Std Pkg
<b>FA101*</b>	04241	Non-metallic box w/ depth adjustment up to 1-1/2" (pre-set for 1/2" wall thickness)	Single/Vertical/21.0 cu in	25
<b>FA101H*</b>	11102		Single/Horizontal/21.0 cu in	25
<b>FA102*</b>	04242	Two-gang / 43.5 cu in		10
<b>FA103*</b>	04243	Three-gang / 65.0 cu in		10
<b>FA104</b>	04244	Four-gang / 87.0 cu in		10

### with Ground Clip for use in Canada

Catalog Number	UPC/DEI/NAED Mfg. #018997	Description	Number of Gangs / Cubic Inches	Unit/Std Pkg
<b>FA101GC*</b>	76881	Non-metallic box w/ depth adjustment up to 1-1/2" (pre-set for 1/2" wall thickness)	Single/Vertical/21.0 cu in	25
<b>FA101HGC*</b>	11103		Single/Horizontal/21.0 cu in	25
<b>FA102GC*</b>	76883	Two-gang / 43.5 cu in		10
<b>FA103GC*</b>	76884	Three-gang / 65.0 cu in		10
<b>FA104GC</b>	76885	Four-gang / 87.0 cu in		10

Catalog Number	UPC/DEI/NAED Mfg. #018997	Description	Unit/Std Pkg
<b>FA102D</b>	04245	Low Voltage Divider for FA102, FA103, FA104	25



Optional FA102D low voltage separator for use with multiple gang IN/OUT BOX

Arlington's IN/OUT BOX is adjustable for wall thicknesses up to 1-1/2" – perfect for use when the final wall thickness is unknown; double drywall, change orders; tile, mirrors, etc.

**New to the line...**a single-gang horizontal box (FA101H) that's ideal for countertops - or anywhere you need a horizontal outlet.

We also offer the single-gang, low profile FA101LP. Designed for new work installations with shallower wall cavities, it's a little shorter than our 'regular' single-gang IN/OUT outlet box – just right for smaller spaces. See reverse for more information and comparison with the 'regular' box.

- No more set back boxes – IN/OUT BOX depth adjusts before OR after the wall finish is done
- Always accessible depth adjustment screw – even with wall finish in place
- Complies with 2014 NEC, 314.20 for set back boxes
- Secure installation – Mounts to wood or steel studs in new construction
- 2-Hour Fire Rating on single, two and three gang boxes
- UL Listed

Patent pending



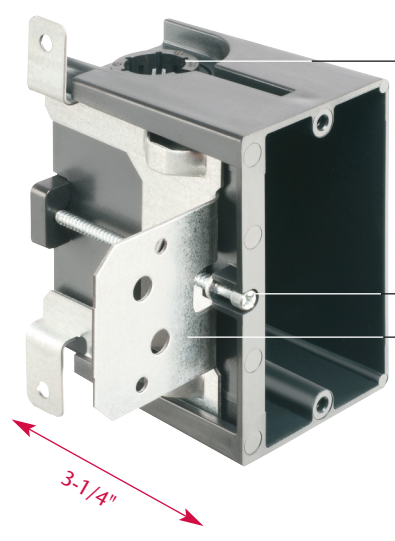
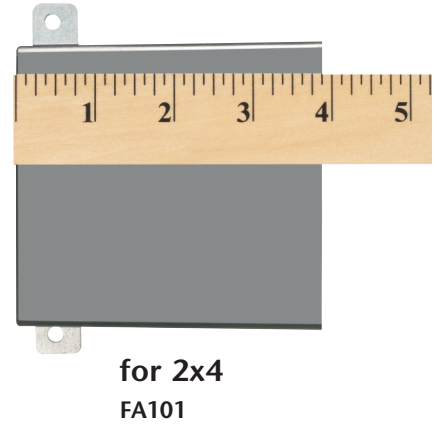
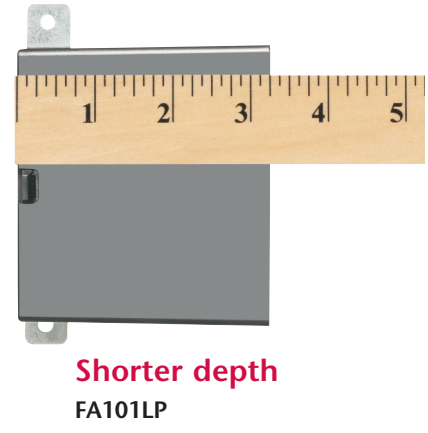
## Arlington

1 Stauffer Industrial Park  
Scranton, PA 18517  
**800/233.4717**  
**Fax 570/562.0646**  
[www.aifittings.com](http://www.aifittings.com)

# IN/OUT BOX™ Adjustable Plastic Outlet Box Made in USA

*Low Profile for Shallow Wall Cavities in New Construction*

Our single-gang, low profile FA101LP is **shorter than our 'regular' single-gang FA101 outlet box** – just right for shallow wall cavities.



NM cable connector

**FA101LP**  
Single-gang  
**Shorter Depth**  
Adjustable Outlet Box



Always accessible depth adjustment screw  
Heavy-duty mounting bracket

3-1/4"

Catalog Number	UPC/DEI/NAED Mfg. #018997	Description IN/OUT BOX™	Size/ Cu Inches	Unit/Std Pkg
FA101LP	76880	3.25" deep, Non-metallic outlet box	Single-gang 18.3 cu in	25
FA101LPGC	76882	3.25" deep, Non-metallic outlet box, with ground clip for Canada	Single-gang 18.3 cu in	25

w/ depth adjustment up to 1-1/2" (pre-set for 1/2" wall thickness)



1 Stauffer Industrial Park  
Scranton, PA 18517  
**800/233.4717**  
**Fax 570/562.0646**  
**www.aifittings.com**

Patent pending  
FA101 1014/15M