



## Weatherproof Box Holder

Zinc die-cast and non-metallic.



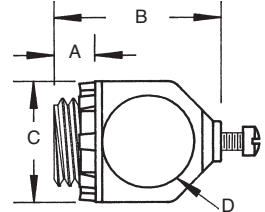
CATALOG NUMBER	UPC/DCI/NAED MFG #018997	TRADE SIZE	UNIT PKG	STD PKG	DIM A	DIM B	DIM C	DIM D
FS50	61050	1/2	25	25	.380	1.550	1.125	.860
FS75	61075	3/4	25	25	.380	1.550	1.125	.860
NMFS50*	54050	1/2	25	25	.380	1.550	1.125	.860
NMFS75	54075	3/4	25	25	.380	1.550	1.125	.860

\*UV rated non-metallic body.

Note: Can be used as an external means of support to meet the requirements of 2011 NEC Section 314-23.



E161207 LR49636

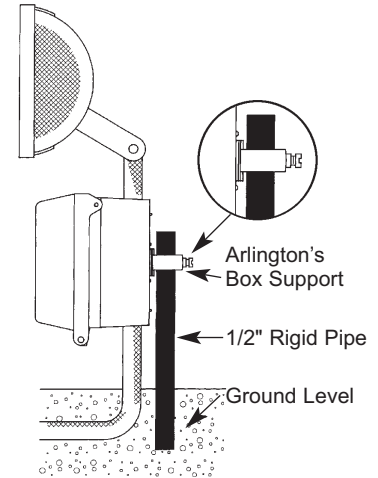


### Assembly Instructions

Just screw the box support into the electrical box; the entire assembly is held secure with a 1/2" rigid steel conduit or water pipe.

### Other Uses

- Stubbing up electrical enclosures above concrete slabs with rigid pipe.
- Suspending electrical boxes with rigid pipe between bar joists.
- Suspending fire alarms (smoke detectors) with rigid pipe between bar joists.
- Can be used for installation of equipment where a rigid pipe can be used for a holding means and a 1/2" knockout is present for attachment.



IN BOX