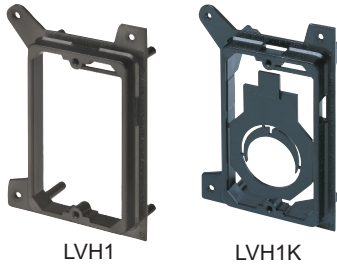


Low Voltage Mounting Brackets for New Construction

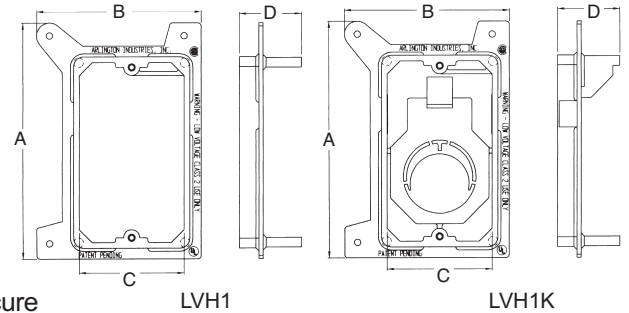
Designed to install LOW VOLTAGE Class 2 ONLY. Mounts vertical or horizontal on wood or metal studs.



LVH1

LVH1K

CATALOG NUMBER	UPC/DCI/NAED MFG #018997	UNIT PKG	STD PKG	DIM A	DIM B	DIM C	DIM E
LVH1	10979	50	50	4.552	3.187	2.000	1.205
LVH1K	10984	50	50	4.552	3.187	2.000	1.205



Features and Benefits

- Non-metallic
- Sturdy tabs provide extra-secure vertical or horizontal mounting of class 2, low voltage wiring.
- Convenient wire tie-off through slot at top
- Versatile LVH1K permits the use of 3/4" EMT or a 1" fitting.
- Costs 20% less than metal extension rings!