

# Type 1 Surge Protective Devices

Leviton's Type 1 Surge Protective Devices protect against lightning strikes entering into main service panels or electrical equipment with high exposure to lightning, such as farming irrigation systems.



50240-MSA

## Meter Socket Surge Adapter 50240 Surge Protective Devices

- Designed for 120/240 volt single-phase ringless or ring-type meters
- Rugged housing constructed of high-impact, non-conductive fiberglass-reinforced polycarbonate
- Featuring spring-loaded, high-pressure copper-plated contacts for maximum conductivity
- Limited Lifetime Product Warranty
- Connected equipment coverage up to \$10,000\*

\*Certain restrictions apply

## Ordering Information

Catalog Number	Description	Voltage (V AC) Configuration	Max Surge Current, Per mode
55240-ASA	Module	120/240 Single Phase	50kA
55208-ASA	Module	120/208 3Ø WYE, 240V 3Ø Delta	50kA
55480-ASA	Module	277/480 3Ø WYE, 480V 3Ø Delta	50kA
50240-MSA	Meter Socket Surge Adapter	120/240 Single Phase	50kA
51120-3R	Panel Mount	120/240 Single Phase	50kA



51120-3R

55208-ASA

## 55000 Series Surge Protective Devices

- Provided with #10 AWG stranded, 18 in. long pigtail leads
- Connected equipment coverage up to \$10,000\*
- May also be used in Type 2 applications
- NEMA Type 3R enclosure for indoor or outdoor use
- Limited Lifetime Product Warranty

## 51120-3R Series Surge Protective Devices

- Standard J-Box enclosure with pre-punched standard knock-outs can be easily surface mounted in typical frame construction
- Provided with #12 AWG stranded, 28 in. long cord
- Connected equipment coverage up to \$25,000\*
- May also be used in Type 2 applications



Specifications for: 55000 Series, 51120-3R and 50240-MSA Surge Protective Devices

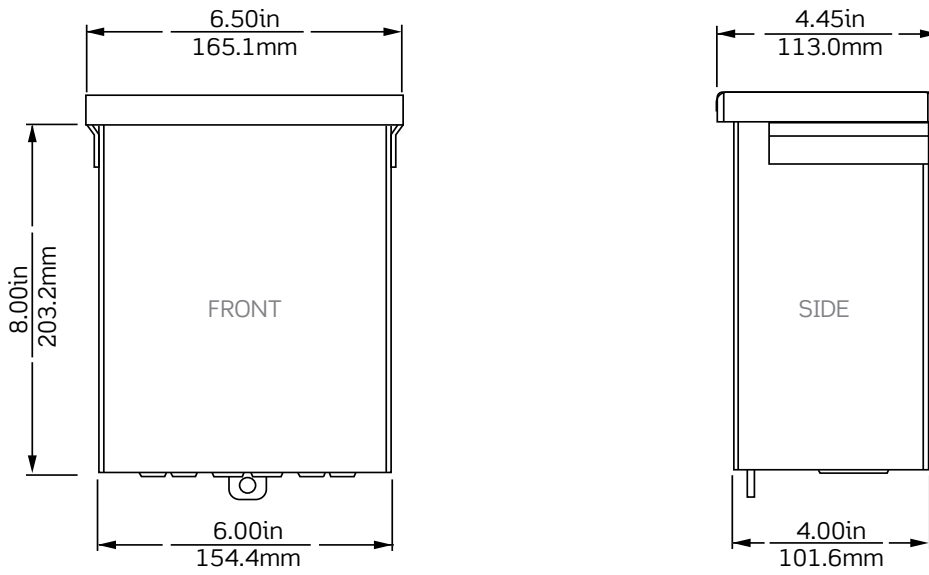
Catalog Number	55240-ASA	55208-ASA	55480-ASA	51120-3R	50240-MSA
<b>Electrical Specifications</b>					
Voltage	120/240V Single Phase	120/208V 3Ø WYE, 240V 3Ø Delta	277/480V 3Ø WYE, 480V 3Ø Delta	120/240V Single Phase	120/240V Single Phase
Frequency	50/60Hz	50/60Hz	50/60Hz	50/60Hz	50/60Hz
Surge Technology	TPMOV	TPMOV	TPMOV	TPMOV	TPMOV
Amperage	—	—	—	—	200A**
<b>Performance Data</b>					
Nominal Discharge Rating (I <sub>n</sub> )	20kA	20kA	20kA	20kA	20kA
Maximum Continuous Operating Voltage (MCOV)	150V	150V	320V	150V(L-N)/300V(L-L)	150V
Maximum Surge Current, Per Mode (Per Phase)	50kA (50kA)	50kA (50kA)	50kA (50kA)	50kA (50kA)	50kA (50kA)
Voltage Protection Rating (VPR) (Clamping)	600V(L-N)/800V(L-L)	600V(L-N)/800V(L-L)	800V(L-N)/700V(L-L)	500V(L-N)/800V(L-L)	600V(L1-N)/500V (L2-N)/ 400V (L1-L2)
Diagnostics	Protection Status LEDs & Audible Alarm			Protection Status LEDs	Protection Status LEDs
<b>Mechanical Specifications</b>					
Connection Type	Parallel Connection: Hardwired via 10AWG wire			Parallel Connection: Hardwired via 12AWG wire	Meter Base Connection: Hardwired Neutral
<b>Environmental Specifications</b>					
Flammability	Rated V-2 per UL 94			Rated V-2 per UL 94	Rated V-2 per UL 94
Operating Temperature	-10°C to 60°C			-10°C to 60°C	-40°C to 60°C
Storage Temperature	-20°C to 85°C			-20°C to 85°C	-50°C to 85°C
Enclosure Type	NEMA 3R			NEMA 3R	NEMA 3R
<b>Material Specifications</b>					
Enclosure	Polycarbonate with UV Inhibitors			Powder Coated Steel Outer Enclosure; Polycarbonate Module Enclosure	Fiberglass Reinforced Polycarbonate
Contacts	—			—	Copper
<b>Standards &amp; Certifications</b>					
Agency Certification	ETL Certified to be in compliance with UL 1449 3rd edition Type 1 Device				
National Electric Code (NEC)	285				
ANSI/IEEE Category C	C-62.11, C-62.41 & C-62.45				
<b>Warranty</b>					
Product Warranty	Limited Lifetime	Limited Lifetime	Limited Lifetime	Limited Lifetime	Limited Lifetime
Connected Equipment Coverage	Up to \$10,000*	Up to \$10,000*	Up to \$10,000*	Up to \$25,000*	Up to \$10,000*

\* As part of the True Whole House Surge Protection Warranty

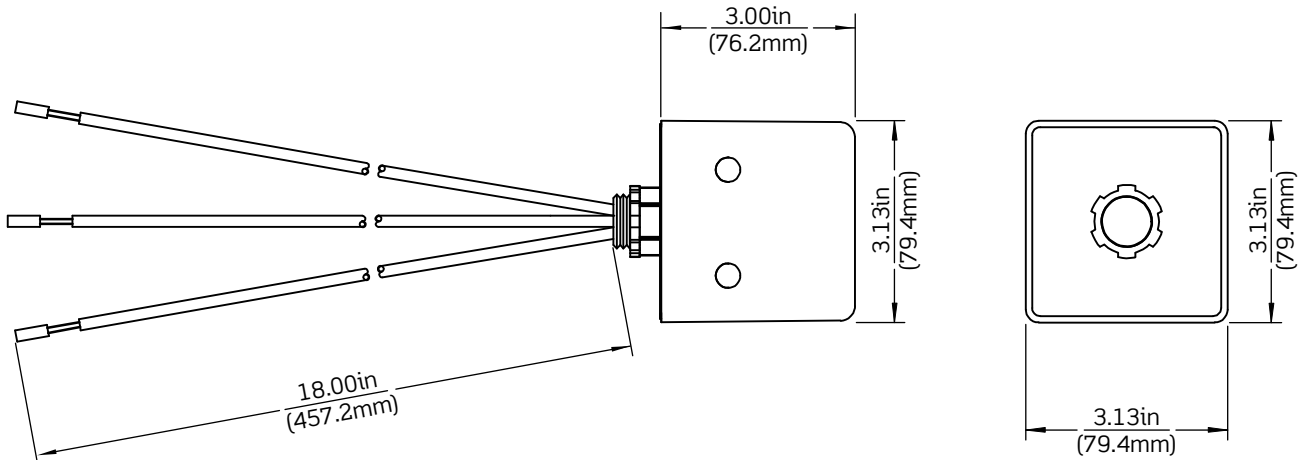
\*\* 200 Amp only when using Murray Cat. No. RH173CRF meter socket; otherwise 175 Amp

Dimensions for: 51120-3R, 55000 Series and 50240-MSA Surge Protective Devices

51120-3R



55000 Series



Typical for 50240-MSA

