



OVERLOAD RELAY 6...25 A FOR MOTOR PROTECTION  
 SIZE S0,  
 CLASS 10 FOR MOUNTING ONTO CONT. MAIN CIRCUIT:  
 SCREW CONNECTION AUX. CIRCUIT: SCREW  
 CONNECTION MANUAL-AUTOMATIC-RESET

**General technical data:**

<b>product brand name</b>		SIRIUS
<b>Product designation</b>		solid-state overload relay
<b>Size of overload relay</b>		S0
<b>Number of poles / for main current circuit</b>		3
<b>Product function / removable terminal for auxiliary and control circuit</b>		Yes
<b>Surge voltage resistance / Rated value</b>	kV	6
<b>Protection class IP / on the front</b>		IP20
<b>Protection against electrical shock</b>		finger-safe
<b>Installation altitude / at height above sea level / maximum</b>	m	2,000
<b>Shock resistance</b>		15g / 11 ms
<b>Ambient temperature</b>		
• during transport	°C	-40 ... +80
• during storage	°C	-40 ... +80
• during operation	°C	-25 ... +60
<b>Relative humidity / during operation / maximum</b>	%	100
<b>Electrostatic discharge / acc. to IEC 61000-4-2</b>		6 kV contact discharge / 8 kV air discharge
<b>Field-bound parasitic coupling / acc. to IEC 61000-4-3</b>		10 V/m
<b>Conducted interference BURST / acc. to IEC 61000-4-4</b>		2 kV (power ports), 1 kV (signal ports) corresponds to degree of severity 3

<b>Conducted interference conductor-earth SURGE / acc. to IEC 61000-4-5</b>		2 kV (line to earth) corresponds to degree of severity 3
<b>Conducted interference conductor-conductor SURGE / acc. to IEC 61000-4-5</b>		1 kV (line to line) corresponds to degree of severity 3
<b>Type of protection</b>		PTB 06 ATEX 3001 Ex II (2) GD
<b>Active power loss / total / typical</b>	W	0.05
<b>Size of contactor / can be combined / company-specific</b>		S0

#### Main circuit:

**Type of assignment**

2

#### Auxiliary circuit:

**Number of NC contacts / for auxiliary contacts**

1

**Number of NO contacts / for auxiliary contacts**

1

**Number of CO contacts / for auxiliary contacts**

0

**Design of the fuse link / for short-circuit protection of the auxiliary switch / required**

fuse gL/gG: 6 A

**Operating current / of the auxiliary contacts**

• at AC-15

• at 24 V

A

4

• at 110 V

A

4

• at 120 V

A

4

• at 125 V

A

4

• at 230 V

A

3

• at DC-13

• at 24 V

A

2

• at 60 V

A

0.55

• at 110 V

A

0.3

• at 125 V

A

0.3

• at 220 V

A

0.11

#### Protective and monitoring functions:

**Trip class**

CLASS 10

**Adjustable response value current / of the current-dependent overload release**

A

6 ... 25

#### Installation/ mounting/ dimensions:

**Mounting type**

direct mounting

**mounting position**

any

**Depth**

mm

75

**Height**

mm

73

**Width**

mm

45

## Connections/ terminals:

### Design of the electrical connection

- for main current circuit
- for auxiliary and control current circuit

screw-type terminals

screw-type terminals

### Type of connectable conductor cross-section

- for main contacts
  - solid
  - finely stranded
    - with core end processing
- for AWG conductors / for main contacts
- for auxiliary contacts
  - solid
  - finely stranded
    - with core end processing
- for AWG conductors / for auxiliary contacts

2x (1 ... 2.5 mm<sup>2</sup>), 2x (2.5 ... 6 mm<sup>2</sup>)

2x (1 ... 2.5 mm<sup>2</sup>), 2x (2.5 ... 6 mm<sup>2</sup>)

2x (14 ... 10)

0.5 ... 4 mm<sup>2</sup>, 2x (0.5 ... 2.5 mm<sup>2</sup>)

0.5 ... 2.5 mm<sup>2</sup>, 2x (0.5 ... 1.5 mm<sup>2</sup>)

2x (20 ... 14)

## Certificates/ approvals:

### General Product Approval

### EMC

### For use in hazardous locations



CCC



CSA



UL



C-TICK



ATEX

### Test Certificates

[Special Test Certificate](#)

[Type Test Certificates/Test Report](#)

### Shipping Approval



ABS



DNV



GL



LRS



RINA

### other

[Declaration of Conformity](#)

[other](#)

[Environmental Confirmations](#)

## Further information:

### Information- and Downloadcenter (Catalogs, Brochures,...)

<http://www.siemens.com/industrial-controls/catalogs>

### Industry Mall (Online ordering system)

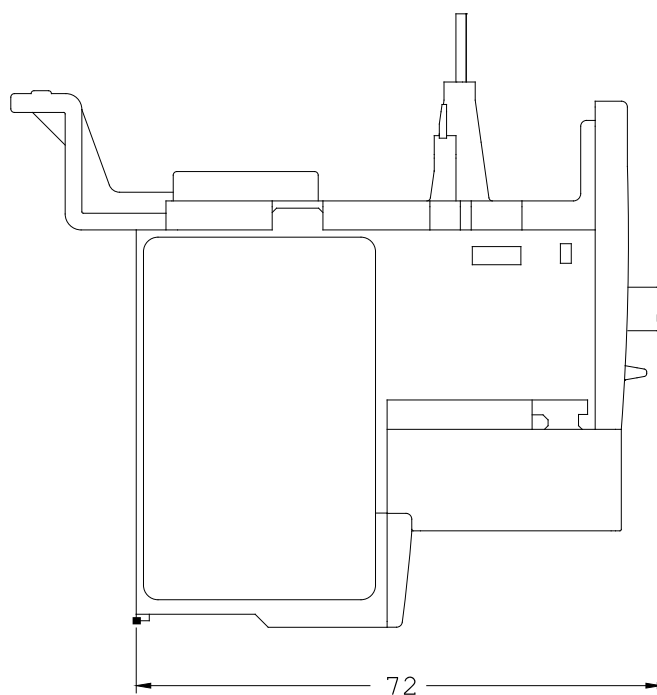
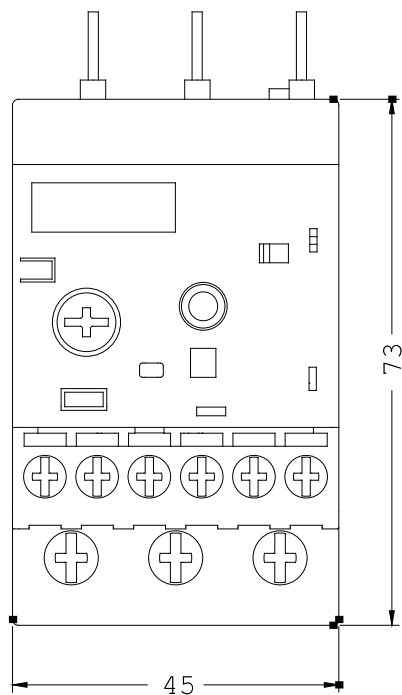
<http://www.siemens.com/industrial-controls/mall>

### Cax online generator

<http://www.siemens.com/cax>

### Service&Support (Manuals, Certificates, Characteristics, FAQs,...)

<http://support.automation.siemens.com/WWW/view/en/3RB2026-1QB0/all>



last change:

Dec 8, 2014