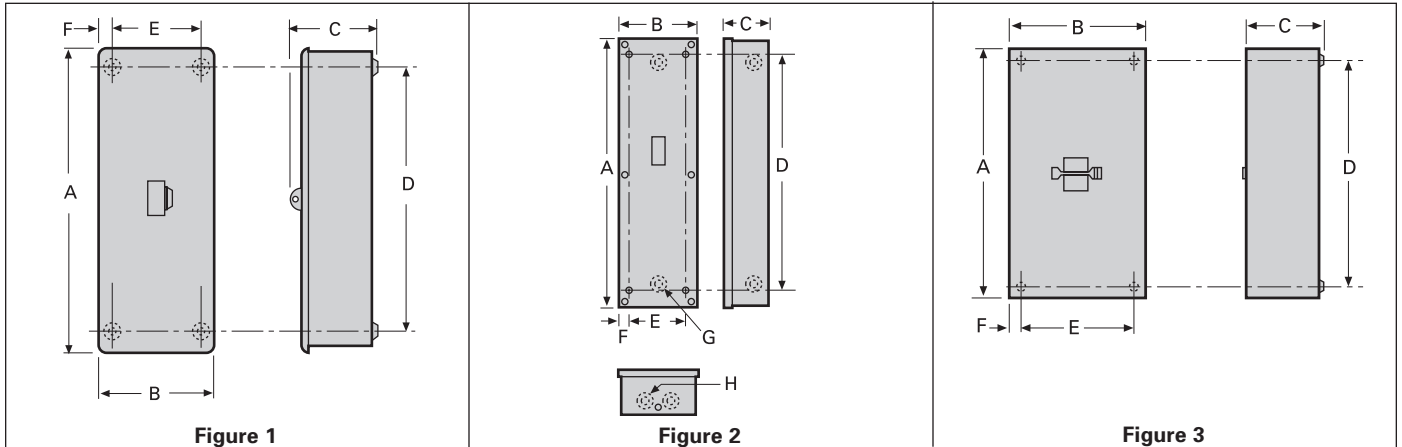


Enclosed Circuit Breakers

Enclosures — Type 1

Selection

Dimensions



Type 1

Fig. No.	Breaker Frame	Number of Poles	Maximum Current Rating	Catalog Number	Weight Lb./Ship. Package	Dimensions (inches)						K.O. Dimensions	
						A	B	C	D	E	F	G	H
1	QP, QPH, HQP	1-2	60	E0204ML1060S ^{①③④}	16	7 $\frac{1}{2}$	5 $\frac{1}{2}$	3 $\frac{3}{4}$	5 $\frac{1}{2}$	3 $\frac{3}{4}$	1 $\frac{1}{16}$	—	—
1	QP, QPH, HQP	3	100	E0303ML3100S ^{①③④}	8	17 $\frac{1}{2}$	7 $\frac{1}{2}$	4 $\frac{1}{4}$	14 $\frac{1}{2}$	4 $\frac{1}{2}$	1 $\frac{1}{16}$	—	—
1	BQ, BQH, HBQ	3	100	EB3100S ^{⑤⑥}	32	17 $\frac{1}{2}$	7 $\frac{1}{2}$	4 $\frac{1}{4}$	14 $\frac{1}{2}$	4 $\frac{1}{2}$	1 $\frac{1}{16}$	—	—
1	NGG	2-3	125	GG0121FN/SN	12	20	8 $\frac{3}{4}$	4	16	6	1 $\frac{1}{16}$	—	—
2	ED2, ED4, ED6, HED4	2-3	100	E2N1S ^{⑦⑧} E2N1F ^{⑨⑩}	8 8	16 $\frac{23}{32}$ 17 $\frac{1}{2}$	7 $\frac{1}{2}$ 8 $\frac{1}{2}$	5 $\frac{1}{16}$ 5 $\frac{1}{16}$	13 $\frac{45}{64}$ 13 $\frac{45}{64}$	5 $\frac{1}{2}$ 5 $\frac{1}{2}$	1 1	$\frac{1}{8}$, 1 $\frac{1}{8}$, 1 $\frac{1}{8}$	$\frac{1}{8}$, 1 $\frac{1}{8}$, 1 $\frac{1}{8}$
2	ED4, ED6, HED4, CED6	2-3	125	CED6N1S ^{③④⑩} CED6N1F ^{③④⑩}	14 14	21 $\frac{15}{32}$ 22 $\frac{1}{4}$	7 $\frac{19}{32}$ 8 $\frac{1}{2}$	5 $\frac{1}{4}$ 5 $\frac{1}{4}$	18 $\frac{1}{4}$ 18 $\frac{1}{4}$	5 $\frac{1}{2}$ 5 $\frac{1}{2}$	1 1	1 $\frac{1}{4}$, 2	1 $\frac{1}{4}$, 2
2	FXD6, FD6, FXD6, FD6, HFD6, HFXD6, HFD6, CFD6	2-3	250	F6N1S ^② F6N1F ^②	33	38 $\frac{13}{32}$	11 $\frac{15}{32}$	5 $\frac{1}{16}$	33	8	1 1 $\frac{23}{64}$	$\frac{1}{8}$, 1 $\frac{1}{8}$, 1 $\frac{1}{4}$, 2, 2 $\frac{1}{2}$, 3	1 $\frac{1}{8}$, 1 $\frac{1}{8}$, 1 $\frac{1}{4}$, 20, 2 $\frac{1}{2}$, 3
3	JXD2, JD6, JXD6, HJD6, HJXD6, HHJD6, HHJXD6, SJD6, SHJD6	2-3	400	J6N1 ^①	120	41 $\frac{1}{16}$	22 $\frac{27}{64}$	10 $\frac{45}{64}$	37	18 $\frac{1}{4}$	2 $\frac{3}{4}$	—	—
3	LD6, LXD6, HLD6, HLXD6, HLLD6, HLLXD6, SLD6, SHLD6, SCJD6, SCLD6, CJD6, CLD6	2-3	600	LD6N1 ^①	101	46	22 $\frac{27}{64}$	10 $\frac{45}{64}$	42	18 $\frac{1}{4}$	2 $\frac{3}{4}$	—	—
3	LMXD6, LMD6, HLMXD6, HLMD6	2-3	800	LMD1 ^②	202	60	22 $\frac{27}{64}$	10	55 $\frac{1}{2}$	18 $\frac{1}{4}$	2 $\frac{3}{4}$	—	—
3	MD6, MXD6, SMD6, HMD6, HMXD6, SHMD6, ND6, NXD6, SND6, HND6, HNXD6, SHND6, CMD6, SCMD6, CND6, SCND6	2-3	1200	MND61 ^②	202	60	22 $\frac{27}{64}$	10	55 $\frac{1}{2}$	18 $\frac{1}{4}$	2 $\frac{3}{4}$	—	—
—	PD6, PXD6, HPD6, HPXD6, CPD6, RD6, SPD6, SHPD6, RXD6, HRD6, HRXD6	3	2000	PRD6N1 [■]	350	90	32	28	—	—	—	—	—

For inches / millimeters conversion, see Application Data section.

All above enclosures are suitable for use as service entrance devices

■ Built to order. Allow 2-3 weeks for delivery.

①Surface mounted, indoor. If flush mounting is required, replace suffix "S" in catalog number with suffix "F".

Also, if outdoor model required, use prefix "W" instead of "E".

②Neutral not included. Order as separate item from table on next page.

③Neutral included in enclosure.

④Surface mounted, indoor. If outdoor model is required, use prefix "W" instead of "E". Not available in flush ("F") model.

⑤Use for 110-125 ampere ED4, ED6, or HED4 circuit breakers.

⑥Will not accept breaker with shunt trip.

⑦Will not accept 2-pole GFP or breaker with shunt trip.

⑧Includes 100% rated breakers.

⑨Enclosure will accept shunt trip and other internal accessories except GFP.

Enclosed Circuit Breakers

Enclosures — Type 1

Selection

Dimensions

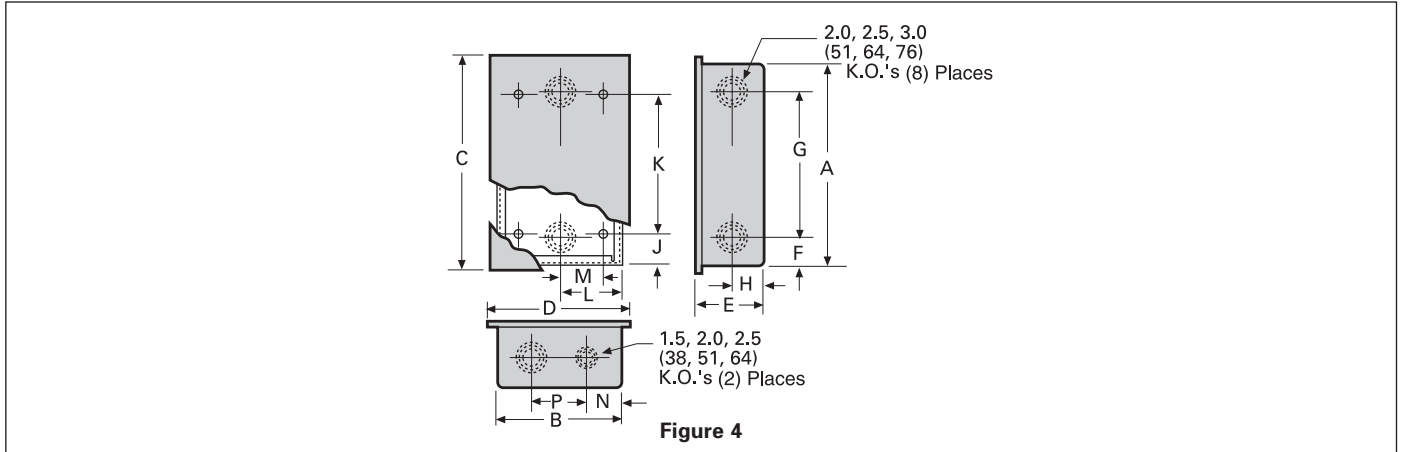


Figure Number	Breaker Frame	Number of Poles	Maximum Current Rating	Catalog Number	Weight Lb./Ship. Package	Dimensions (inches)													
						A	B	C	D	E	F	G	H	J	K	L	M	N	P
4	QJ2, QJH2, QH2-H	2-3	225	EB3225S EB3225F	15	27	10 ⁵ / ₁₆	27	10 ⁵ / ₁₆	5 ¹ / ₂	2 ¹³ / ₁₆	21 ¹ / ₁₆	2 ³ / ₁₆	3	20	5 ⁵ / ₁₆	2 ³ / ₁₆	2 ³ / ₁₆	4 ¹ / ₂

Neutrals

Neutral Catalog Number	Enclosure Catalog Number	Neutral Cable Capacity and Wire Range
N225QJ	EB3225(S)(F)	(1 pc.) #4 - 2/0 Cu/Al (1 pc.) #1 - 300 kcmil Cu/Al Gnd. Lug (1pc.) #14 - #4 & (3 pcs.) #14 - #10 Cu or (1 pc.) #12 - #4 & (3 pcs.) #12 - #10 Al
N125GG	GG0121SN/FN	(1 pc.) #14-2/0 Cu/Al, (1 pc.) #1-300 kcmil Cu/Al Gnd. Lug (1 pc.) #12 - #4 Cu/Al (3 pcs.) #12 - #10 Cu/Al
W53045	E2N1(S)(F)	(1 pc.) #14-2 Cu/Al Gnd. Lug (1 pc.) #14-8 Cu/Al
	CED6N1(S)(F)®	
N250	F6N1(S)(F)	(1 pc.) #6-350 kcmil Cu/Al Gnd. Lug (1 pc.) #14-2/0 Cu/Al
W60992	J6N1	(1 pc.) #1/0-750 kcmil Cu/Al or (2 pcs.) #1/0-300 kcmil Cu/Al Gnd. Lug (1 pc.) #6-250 kcmil Cu/Al
W60993	LD6N1	(2 pcs.) #1/0-600 kcmil Gnd. Lug (1 pc.) #6-250 kcmil Cu/Al
W63623	LMD1	(4 pcs.) 250 kcmil-500 kcmil Cu/Al® Gnd. Lug (1 pc.) #6-300 kcmil Cu/Al
	MND61	
N2000	PRD6N1	(6 pcs.) #3/0-750 kcmil Cu/Al Gnd. Lug (2 pcs.) #3/0-750 Cu/Al

200% Neutrals (For Type 1, 3R, 4/4X and 12 Enclosures)

Neutral Catalog Number	Enclosure Catalog Number	Neutral Cable Capacity and Wire Range
N2250	F6N1(S)(F)®	(2 pcs.) #4-350 kcmil Cu/Al Gnd. Lug (1 pc.) #14-2/0 Cu/Al
W60993	J6N1®	(2 pcs.) #1/0-600 kcmil Gnd. Lug (1 pc.) #6-250 kcmil Cu/Al
W63623	LD6N1®	(4 pcs.) 250 kcmil-500 kcmil Cu/Al Gnd. Lug (1 pc.) #6-300 kcmil Cu/Al

For inches / millimeters conversion, see Application Data section.

- ®Surface mounted, indoor. If flush mounting is required, replace suffix "S" in catalog number with suffix "F". Also, if outdoor model required, use prefix "W" instead of "E".
- ®Neutral not included. Order as separate item from table on next page.

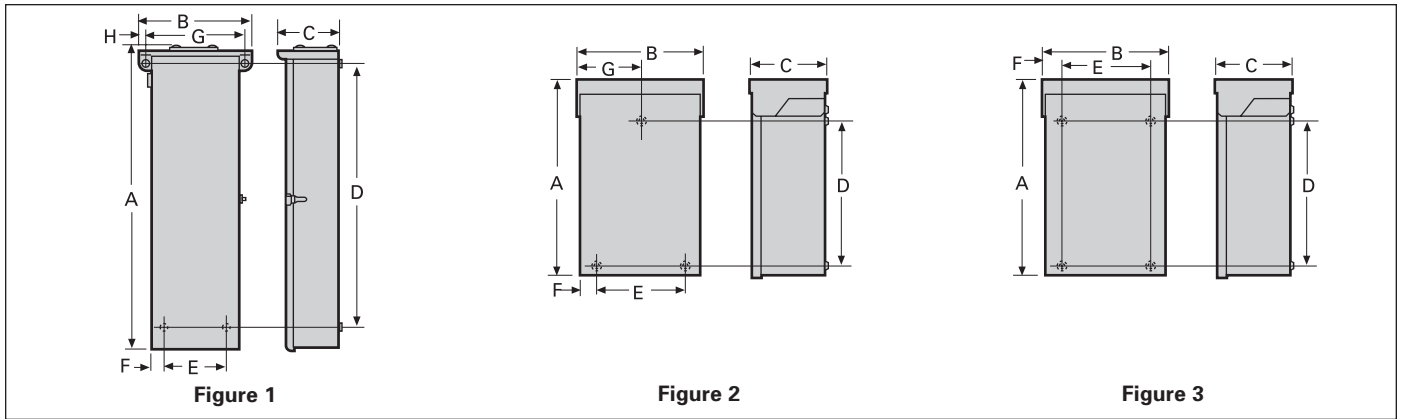
- ®Surface mounted, indoor. If outdoor model is required, use prefix "W" instead of "E". Not available in flush ("F") model.
- ®Use for 110-125 ampere ED4, ED6, or HED4 circuit breakers.
- ®Will not accept breaker with shunt trip.
- ®Also for use with Type 3R, 12, 12K & 4X enclosures (Catalog numbers F6N3R, F6N12, F6N12K & FD6SS4).

- ®Also for use with Type 3R, 12 & 4X enclosures (Catalog numbers J6N3R, J6N12, & LD6SS4).
- ®Also for use with Types 3R and 12 enclosures (Catalog numbers LD6N3R & LD6N12).
- ®For 600 MCM neutral cable (3) in, (3) out (#4-600 kcmil Cu/Al) use catalog number W411239

Enclosed Circuit Breakers

Enclosures — Type 3R

Selection



Type 3R

Figure Number	Breaker Frame	Number of Poles	Maximum Current Rating	Catalog Number	Weight Lb./Ship. Package	Dimensions (inches)							
						A	B	C	D	E	F	G	H
2	QP, QPH	1-2	60	W0204ML1060 [Ⓞ]	28	8 ⁵ / ₈	5 ⁵ / ₈	4 ⁵ / ₈	—	—	—	—	—
2	QPP, QPPH, HQPP	1-4	225	W0406ML1225CU [Ⓞ]	24	23 ³ / ₈	10 ¹ / ₂	4 ¹ / ₈	20	7 ¹ / ₂	1 ¹ / ₈	5 ¹ / ₂	—
2	QP, QPH, HQP	3	100	W0303ML3100 [Ⓞ]	9	17 ³ / ₈	7 ³ / ₈	4 ⁵ / ₈	14 ¹ / ₈	4 ¹ / ₂	1 ¹ / ₈	3 ¹ / ₈	—
2	BQ, BQH, HBQ	3 3	50 100	WB3100 [Ⓞ]	9	17 ³ / ₈	7 ³ / ₈	4 ⁵ / ₈	14 ¹ / ₈	4 ¹ / ₂	1 ¹ / ₈	3 ¹ / ₈	—
2	NGG	2-3	125	GG0123RN	15	19 ¹ / ₄	9	5	16 ¹ / ₈	6	1 ¹ / ₄	4 ¹ / ₂	—
5	ED2, ED4, ED6, HED4, HED6	2-3	100	E2N3R [Ⓢ]	12	17 ¹ / ₈	7 ¹ / ₄	5 ¹ / ₄	12 ³ / ₆₄	5 ¹ / ₄	1	3	—
5	CED6, ED2, ED4, ED6	2-3	125	CED6N3R [Ⓢ]	16	22 ¹ / ₆₄	7 ¹ / ₄	5 ¹ / ₄	17 ³ / ₈	5 ¹ / ₄	1	3	—
1	FXD6, FD6, FXD6, FD6, HFD6, HFXD6, HHFD6, CFD6	2-3	250	F6N3R [Ⓢ]	45	38 ³ / ₈	14 ¹ / ₈	7 ³ / ₄	33 ³ / ₃₂	8	1 ³ / ₈	13 ¹ / ₂	1 ³ / ₈
1	JXD2, JD6, JXD6, HJD6, HJXD6, HHJD6, HHJXD6, SJD6, SHJD6	2-3	400	J6N3R [Ⓢ]	126	40 ⁶ / ₆₄	26 ³ / ₈	11 ² / ₃₂	35 ¹ / ₄	18 ¹ / ₄	2 ¹ / ₈	24 ¹ / ₂	1 ¹ / ₈
1	LD6, LXD6, LXD6H, HLD6, HLXD6, HHLXD6, CJD6, CLD6, SCJD6, SLD6, SHLD6	2-3	600	LD6N3R [Ⓢ]	137	45 ⁶ / ₆₄	26 ³ / ₈	11 ² / ₃₂	40 ¹ / ₄	18 ¹ / ₄	2 ¹ / ₈	24 ¹ / ₂	1 ¹ / ₈
4	LMXD6, LMD6, HLMXD6, HLMD6	2-3	800	LMD3R [Ⓢ]	210	61 ¹ / ₆₄	26 ³ / ₈	11 ² / ₃₂	57 ¹ / ₃₂	18 ¹ / ₄	2 ¹ / ₈	24 ¹ / ₂	1 ¹ / ₈
1	MD6, MXD6, SMD6, HMD6, HMXD6, SHMD6, ND6, NXD6, SND6, HND6, HNXD6, SHND6, CMD6, SCMD6, CND6, SCND6	2-3	1200	MND63 [Ⓢ]	210	61 ¹ / ₆₄	26 ³ / ₈	11 ² / ₃₂	57 ¹ / ₃₂	18 ¹ / ₄	2 ¹ / ₈	24 ¹ / ₂	1 ¹ / ₈

For inches / millimeters conversion, see Application Data section.

Note: All above enclosures are suitable for use as service entrance equipment.

Ⓢ Does not include circuit breaker. Order circuit breaker separately.

Ⓞ Neutral not included. Order as separate item from table on next page.

Ⓢ Neutral included in enclosure.

Ⓢ Will not accept breaker with shunt trip.

Ⓢ Will not accept 2 pole GFP or breaker with shunt trip.

Ⓢ Includes 100% rated breakers.

Enclosed Circuit Breakers

Enclosures — Type 3R

Selection / Dimension

Dimensions

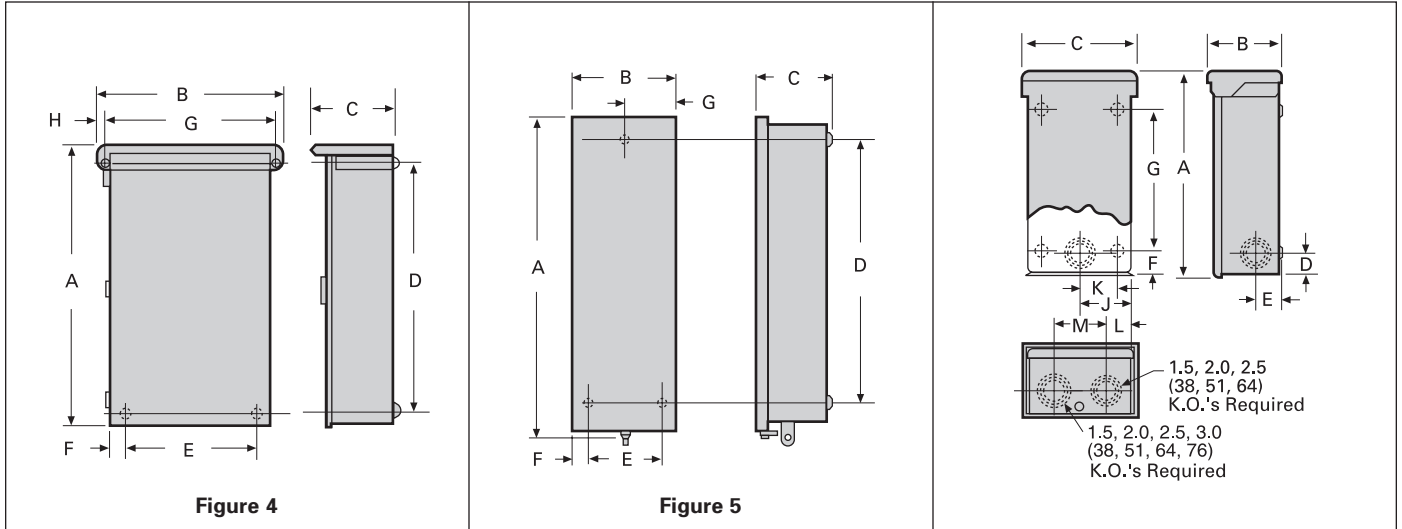


Figure Number	Breaker Frame	Number of Poles	Maximum Current Rating	Catalog Number	Weight Lb./Ship. Package	Dimensions (inches)											
						A	B	C	D	E	F	G	H	J	K	L	M
6	QJ2, QJH2, QJ2-H	2	225	WB2225	17	27	5	7 ¹ / ₁₆	2 ¹ / ₄	2	2 ¹ / ₂	20	4 ¹ / ₂	3 ³ / ₈	2 ¹ / ₂	2 ¹ / ₂	—
		3	225	WB3225	17	27	5 ⁵ / ₈	10 ¹ / ₂	2 ¹ / ₂	2	2 ¹ / ₂	20	4 ¹ / ₂	5 ¹ / ₂	2 ¹ / ₂	2 ¹ / ₂	4 ¹ / ₂

Neutrals^④

Neutral Catalog Number	Enclosure Catalog Number	Neutral Cable Capacity and Wire Range
N125GG	GG0123RN	(1 PC.) #14-2/0 Cu/Al, (1 pc.) #1-300 kcmil Cu/Al Grd. Lug (1 pc.) #12 - #4 Cu/Al (3 pcs.)#12 - #10 Cu/Al
N225QJ	WB2225	(1 pc.) #4 - 2/0 Cu/Al (1 pc.) #1 - 300 kcmil Cu/Al Grd. Lug (1pc.) #14 - #4 & (3 pcs.) #14 - #10 Cu or (1 pc.) #12 - #4 & (3 pcs.) #12 - #10 Al
	WB3225	
W53045 ^②	E2N3R	(1 pc.) #14-2 Cu/Al Grd. Lug (1 pc.) #14-8 Cu/Al
	CED6N3R ^③	
N250 ^④	F6N3R	(1 pc.) #6-350 kcmil Grd. Lug (1 pc.) #14-2/0 Cu/Al
W60992 ^④	J6N3R	(1 pc.) #1/0-750 kcmil Cu/Al or (2 pcs.) #1/0-300 kcmil Cu/Al Grd. Lug (1 pc.) #6-250 kcmil Cu/Al
W60993 ^④	LD6N3R	(2 pcs.) #1/0-600 kcmil Grd. Lug (1 pc.) #6-250 kcmil Cu/Al
W63623	LMD3R	(4 pcs.) 250 kcmil-500 kcmil Cu/Al ^⑤ Grd. Lug (1 pc.) #6-300 kcmil Cu/Al
	MND63	

Hubs — see page 6-14.

For inches / millimeters conversion, see Application Data section.

④Neutral not included. Order as separate item from table on next page.

②Neutral included in enclosure.

③ Use CED enclosure for all ED-frame 110-125 ampere units.

④200% neutrals are also available. See listing on page 6-9.

⑤For applications requiring 600MCM neutral conductors (3) in, (3) out (#4-600 kcmil Cu/Al) use neutral catalog number W41123.

Enclosed Circuit Breakers

Enclosures — Types 4, 4X, 7, and 9

Selection / Dimensions

Dimensions

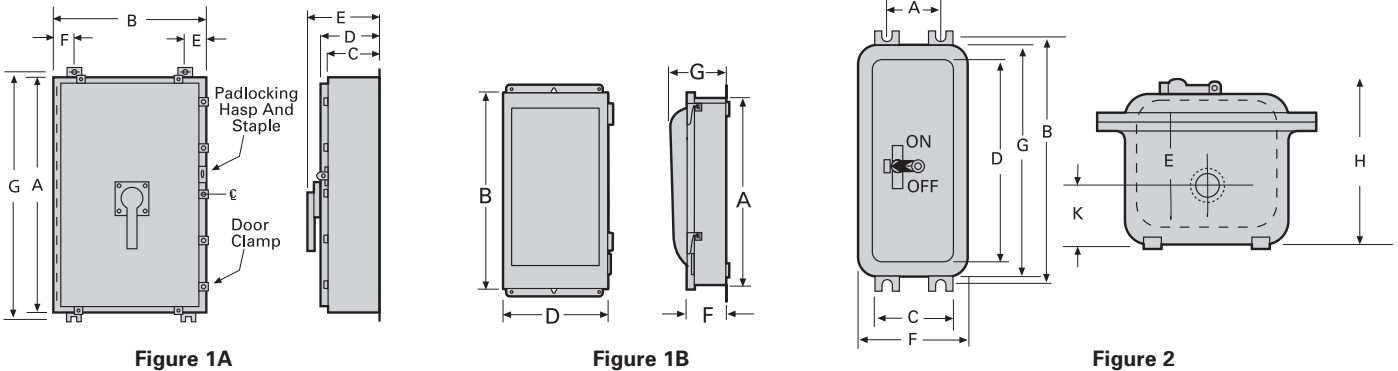


Figure 1 Types 4 and 4X

Breaker Frame	See Figure Drawing	Number of Poles	Maximum Current Rating	Catalog Number ^①	Weight Lb./Ship Package	Dimensions (inches)						
						A	B	C	D	E	F	G
NGG ^⑤	1A	2-3	125	GG0124XN		19¼	17¼	9½	—	3⅝	3⅝	18¾
ED2, ED4, ED6, HED4	⑥ 1A	3	125	ED6SS4 ^⑦	44	20	16	6	7½/₃₂	9¾	3	—
ED2, ED4, ED6, HED4	1B	3	125	ED6S4 ^⑧	19	16.27	17.46	—	9.17	—	5.33	6.12
ED2, ED4, ED6, HED4	1B	3	125	ED6S4316 ^⑨	19	16.27	17.46	—	9.17	—	5.33	6.12
FXD6, FD6, HFD6, FXD6, FD6	⑥ 1A	2-3	250	FD6SS4 ^⑦	106	36	24	8	9⅝/₃₂	11¾	3	—
JXD2, JXD6, JD6, HJD6, HJXD6, HHJD6, HHJXD6, SJD6, SHJD6, LXD6, LD6, HLD6, HLXD6, HHLXD6, HHLXD6, SLD6, SHLD6	⑥⑩ 1A	2-3	600	LD6SS4 ^⑦	145	42	30	10	11⅝/₃₂	13¾	3	—

Neutrals

Neutral Catalog Number	Enclosure Catalog Number ^②	Neutral Cable Capacity and Wire Range
W53045 ^④	ED6SS4	(1 pc.) #14-2 Cu/Al Grd. Lug (1 pc.) #14-8 Cu/Al
N250 ^{④⑥}	FD6SS4	(1 pc.) #6-350 kcmil Grd. Lug (1 pc.) #14-2/0 Cu/Al
W60993 ^{④⑥}	LD6SS4	(2 pcs.) #1/0-600 kcmil Grd. Lug (1 pc.) #6-250 kcmil Cu/Al

Figure 2 Types 7 and 9^⑤

Breaker Frame	Number of Poles	Maximum Current Rating	Catalog Number ^{④⑥}	Weight Lb./Ship Package	Dimensions (inches)									Knockouts	
					Mounting			Inside			Outside			Conduit Size	
					A	B	C	D	E	F	G	H	K	Std.	Max
ED2, ED4, ED6, HED4	2-3	15-60 70-100	EA ■ EB ■	27 32	5½ 6	13⅝ 18	5⅝/₁₆ 6½	10¾ 16	5⅝/₁₆ 5⅝/₁₆	9⅝/₁₆ 9⅝/₁₆	14¼ 19%	6⅝/₁₆ 6⅝/₁₆	1⅝ 2	1¼ 2	1¼ 2
CED6	2-3	100	N/A												
FXD6, FD6, HFD6, HFXD6, CFD6	2-3	250	EC2 ■	85	10%	22%	11%	20	6%	15%	23%	8%	2%	2%	2
JXD2, JXD6, JD6, SJD6, HJD6, HJXD6, HHJD6, HHJXD6, SHJD6	2-3	200-350 300-400	EC4 ■ EE ■	85 93	10% 8%	22% 27%	11% 10%	20 24%	6% 7%	15% 13%	23% 27%	8% 9⅝/₁₆	2% 4	2¼ 3	3 4
LXD6, LD6, SLD6, HLD6, HLXD6, HHLXD6, HHLXD6, SHLD6	2-3	600	ED6 ■	190	11%	40%	13%	37%	7%	18%	42%	9%	3%	4	4

For inches / millimeters conversion, see Application Data selection.
Note: Above enclosures are suitable for use as service entrance equipment.
■ Built to order. Allow 2-3 weeks for delivery.
① Does not include circuit breaker.
Order circuit breaker separately.

② Enclosures shipped with handle and breaker hardware packaged within enclosure.
③ Neutral included.
④ Neutral not included. Order as separate item.
⑤ Breather and drain option is by SPECIAL ORDER only — add \$70.00 to list price.

⑥ For 400A max. 4/4x applications which require a 200% Neutral. See listing on page 6-9.
⑦ Suitable for use as Service Entrance device.
⑧ Includes 100% rated breakers.
⑨ Non-metallic enclosure.
⑩ 304 Stainless Steel enclosures.
⑪ 316 Stainless Steel enclosures.

Enclosed Circuit Breakers

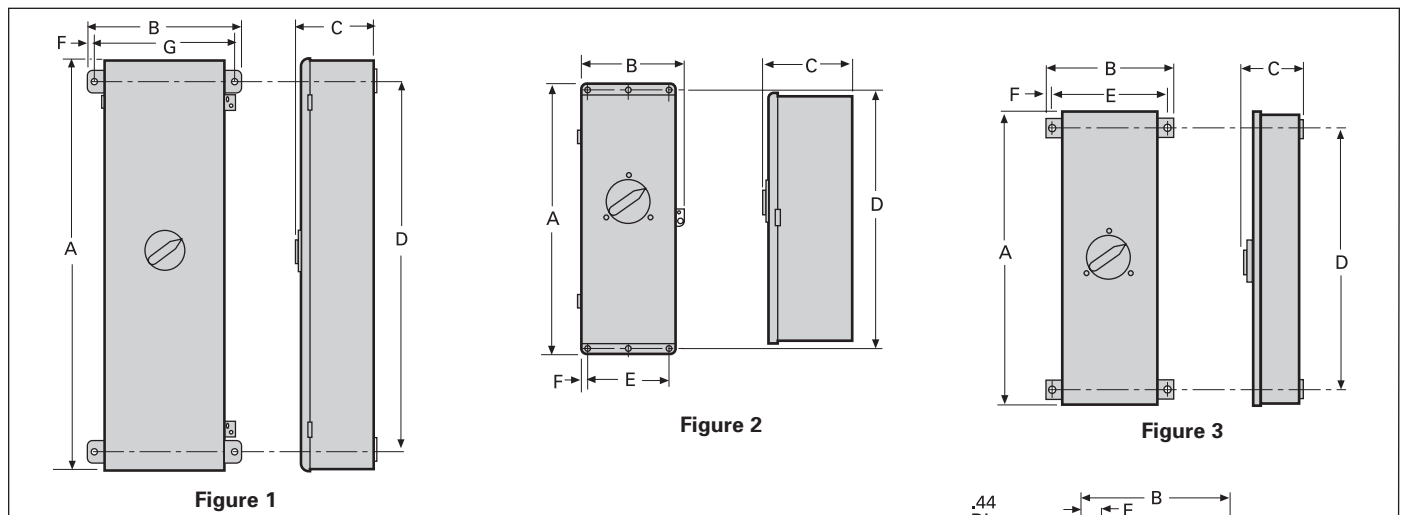
Enclosures — Types 5, 12 and 12K

Selection / Dimensions

Types 5, 12 and 12K

Figure Number	Breaker Frame	Number of Poles	Maximum Current Rating	Catalog Number ^②	Weight Lb./Ship. Package	Dimensions (inches)					
						A	B	C	D	E	F
2	ED2, ED4, ED6, HED4	2-3	100	E2N12 ^{①④}	12	18 ^{5/8}	8 ^{1/2}	7 ^{1/6}	18	6 ^{1/6}	1/2
1	CED6, ED2, ED4, ED6	2-3	125	CED6N12 ^{①④} ■	16	23 ^{3/4}	8 ^{1/2}	7 ^{1/6}	22 ^{3/4}	6 ^{1/6}	1/2
2	FXD6, FD6, FXD6, FD6, HFD6, CFD6	2-3	250	F6N12 ^{①③}	40	38 ^{19/32}	14 ^{29/64}	8 ^{1/6}	34	13	23/32
3	JXD2, JD6, JXD6, HJD6, HJXD6, HHJD6, HHJXD6, SJD6, SHJD6	2-3	400	J6N12	104	41 ^{1/2}	21 ^{1/6}	11 ^{1/6}	37 ^{5/32}	20 ^{3/6}	5/8
3	LD6, LXD6, HLD6, HLXD6, HHL6, HHLXD6, SL6, SHLD6, CJD6, CLD6, SCJD6, SCLD6	2-3	600	LD6N12■	104	46 ^{1/2}	21 ^{1/6}	11 ^{1/6}	42 ^{5/32}	20 ^{3/6}	5/8
4	LMXD6, LMD6, HLMXD6, HLMD6	2-3	800	LMD12■	220	60	37 ^{3/4}	10	3/8	3	2
4	MD6, MXD6, SMD6, HMD6, HMXD6, SHMD6, ND6, NXD6, SND6, HND6, HNXD6, SHND6, CMD6, SCMD6, CND6, SCND6	2-3	1200	MND612 ^③ ■	220	60	37 ^{3/4}	10	3/8	3	2

Dimensions



Neutrals

Neutral Catalog Number	Enclosure Catalog Number	Neutral Cable Capacity and Wire Range
W53045 ^⑤	E2N12	(1 pc.) #14-2 Cu/Al
	CED6N12 ^⑥	(1 pc.) #14-2 Cu/Al
N250 ^{③⑥}	F6N12	(1 pc.) #6-350 kcmil Grd. Lug (1 pc.) #14-2/0 Cu/Al
W60992 ^{③⑥}	J6N12	(1 pc.) #1/0-750 kcmil Cu/Al or (2 pc.) #1/0-300 kcmil Cu/Al Grd. Lug (1 pc.) #6-250 kcmil Cu/Al
W60993 ^{③⑥}	L6N12	(2 pcs.) #1/0-600 kcmil Grd. Lug (1 pc.) #6-250 kcmil Cu/Al
W63623 ^③	LMD612	(4 pcs.) 250 kcmil-500 kcmil Cu/Al Grd. Lug (1 pc.) #6-300 kcmil Cu/Al
	MND612	

For inches/millimeters conversion, see Application Data section.
 ■ Built to order. Allow 2-3 weeks for delivery.
 Note: All above enclosures are suitable for use as service entrance devices.

①Catalog Number is for Type 12. If Type 12K with knockouts is required, add suffix "K" to catalog number.
 ②Does not include circuit breaker.
 ③Order circuit breaker separately.
 ④Neutral not included. Order as separate item.
 ⑤Neutral included in enclosure.

⑥Use CED enclosure for all ED-frame 110-125 ampere units.
 ⑦200% neutrals are also available. See listing on page 6-9.
 ⑧For 600 MCM neutral cable (3) in, (3) out (#4-600 kcmil Cu/Al) use catalog number W411239
 ⑨Includes 100% rated breakers.

Enclosed Circuit Breakers

Enclosures — Knockout and Hub Data

Dimensions

Knockouts & Wire Bending Space

Breaker Frame	Conduit Range Per Knockout Outside Dimensions (inches)	Types 1, 12 and 12K				Type 3R				Maximum Cable Sizes Recommended (Cu/Al) for Type 1, 3R, 4, 4X, 12 & 12K Enclosures ^{④⑤}
		Number of Knockouts Per Panel (Type 4, 4X, 12 have no KO's)								
		Top	Bottom	Side	Back	Bottom	Side	Back	Maximum Hub Size (inches) Type 3R	
QP, QPH, HQP 15-125	½, ¾, 1, 1¼, 1½	4	4	4	4	3	1	1	2	7½" high encl. #6 ^⑥
BQ, BQH, HBP 70-100	¾, 1, 1¼	1	1	2	2	8	1	3	2	④
QPP, QPPH, HQPP 125-225	½, ¾, 1, 1¼, 1½, 2, 2½	—	—	—	—	4	1	1	2½	250 kcmil
QJ	1½, 2, 2½, 3	2	2	2	2	3	1	1	2½	④
NGG	¾, 1, 1¼, 1½, 2, 2½	—	—	—	—	—	—	—	—	
ED2, ED4, ED6, HED4	¾, 1, 1¼, 1½, 2	2	2	2	2	2	1	1	2	④
CED6	¾, 1, 1¼, 1½, 2	2 ^①	2 ^①	—	—	2	—	—	2	④(CFD6 only 300 kcmil)
	¾, 1, 1¼, 1½, 2, 2½	2	2	2 ^②	2 ^②	—	1	1	2	
FXD6, FD6, FXD6, FD6 HFD6, CFD6	1½, 1¾, 1¾, 2, 2½, 3	1	1	2 ^②	2 ^②	1	1	—	4	④
		1	1	—	—	1	—	—		
JXD2, JXD6, JD6, HJD6, HJXD6, HHJD6, HHJXD6, SJD6, SHJD6	1½, 2, 2½, 3, 3½, 4	1	1	2	4	—	—	—	4	(2) 600 kcmil
LXD6, LD6, HLXD6, HLD6, HHLXD6, HHLXD6, SLD6, SHLD6	1½, 2, 2½, 3, 3½, 4	1	1	2	4	—	—	—	4	(2) 600 kcmil
LMXD6, LMD6 HLMXD6, HMLD6	—	—	—	—	—	—	—	—	4	(3) 600 kcmil
MD6, SMD6, HMD6 ND6, SND6, HND6	—	—	—	—	—	—	—	—	4	(3) 600 kcmil or (4) 500 kcmil

6
ENCLOSED
CIRCUIT BREAKERS

Hubs (Type 3R)

Breaker Frame	Conduit Size (inches)	Catalog Number
QP, QPH, HQP, BQ, BQH, HBQ, NGG	¾	ECHS075
	1	ECHS100
	1¼	ECHS125
	1½	ECHS150
	2	ECHS200
QPP, QPPH, HQPP, QJ2, QJH2, QJ2-H	1¼	ECHS125
	1½	ECHS150
	2	ECHS200
	2½	ECHS250
ED2, ED4, ED6, HED4, HED6, HHED6, CED6	¾	ECHR075
	1	ECHR100
	1¼	ECHR125
	1½	ECHR150
FXD6, FD6, HFD6, HFXD6, CFD6, JXD2, JD6, JXD6, HJD6, HJXD6, LD6, LXD6, HLD6, HLXD6(A)	2	ECHV200
	2½	ECHV250
	3	ECHV300
	3½	ECHV350
	4	ECHV400



For inches / millimeters conversion, see Application Data section.

①Type 12K only.

②Type 12K enclosure has no knockouts this location.

③17½" high enclosure provides sufficient wire bending space for all available CB lugs.

④Sufficient wire bending space is provided for all available mechanical type CB lugs.

⑤The use of cables larger than those listed below may violate NEC & UL wire bending space requirements.

⑥The use of compression type connectors will violate NEC and UL wire bending space requirements.