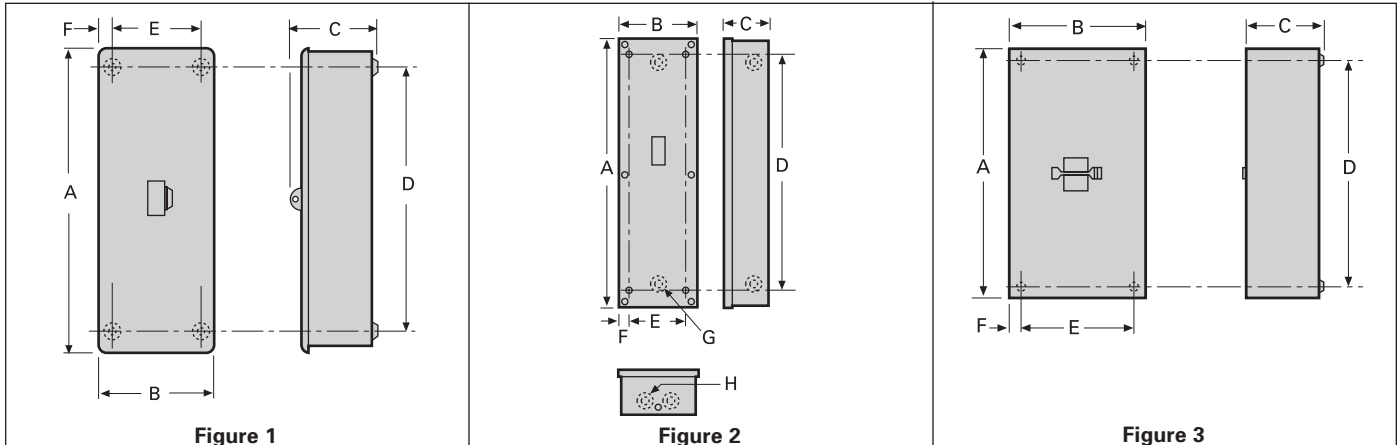


Enclosed Circuit Breakers

Enclosures — Type 1

Selection

Dimensions



Type 1

Fig. No.	Breaker Frame	Number of Poles	Maximum Current Rating	Catalog Number	Weight Lb./Ship. Package	Dimensions (inches)						K.O. Dimensions	
						A	B	C	D	E	F	G	H
1	QP, QPH, HQP	1-2	60	E0204ML1060S ^{①③②}	16	7 $\frac{1}{2}$	5 $\frac{1}{2}$	3 $\frac{3}{4}$	5 $\frac{1}{2}$	3 $\frac{3}{4}$	1 $\frac{1}{16}$	—	—
1	QP, QPH, HQP	3	100	E0303ML3100S ^{①③②}	8	17 $\frac{1}{2}$	7 $\frac{1}{2}$	4 $\frac{1}{4}$	14 $\frac{1}{2}$	4 $\frac{1}{2}$	1 $\frac{1}{16}$	—	—
1	BQ, BQH, HBQ	3	100	EB3100S ^{③④}	32	17 $\frac{1}{2}$	7 $\frac{1}{2}$	4 $\frac{1}{4}$	14 $\frac{1}{2}$	4 $\frac{1}{2}$	1 $\frac{1}{16}$	—	—
1	NGG	2-3	125	GG0121FN/SN	12	20	8 $\frac{3}{4}$	4	16	6	1 $\frac{1}{16}$	—	—
2	ED2, ED4, ED6, HED4	2-3	100	E2N1S ^{③⑤} E2N1F ^{③⑤}	8 8	16 $\frac{23}{32}$ 17 $\frac{1}{2}$	7 $\frac{1}{2}$ 8 $\frac{1}{2}$	5 $\frac{1}{16}$ 5 $\frac{1}{16}$	13 $\frac{45}{64}$ 13 $\frac{45}{64}$	5 $\frac{1}{2}$ 5 $\frac{1}{2}$	1 1	$\frac{1}{8}$, 1 $\frac{1}{8}$, 1 $\frac{1}{8}$	$\frac{1}{8}$, 1 $\frac{1}{8}$, 1 $\frac{1}{8}$
2	ED4, ED6, HED4, CED6	2-3	125	CED6N1S ^{③⑤⑥} CED6N1F ^{③⑤⑥}	14 14	21 $\frac{15}{32}$ 22 $\frac{1}{4}$	7 $\frac{19}{32}$ 8 $\frac{1}{2}$	5 $\frac{1}{4}$ 5 $\frac{1}{4}$	18 $\frac{1}{4}$ 18 $\frac{1}{4}$	5 $\frac{1}{2}$ 5 $\frac{1}{2}$	1 1	1 $\frac{1}{4}$, 2	1 $\frac{1}{4}$, 2
2	FXD6, FD6, FXD6, FD6, HFD6, HFXD6, HFD6, CFD6	2-3	250	F6N1S ^② F6N1F ^②	33	38 $\frac{13}{32}$	11 $\frac{15}{32}$	5 $\frac{1}{16}$	33	8	1 1 $\frac{23}{64}$	$\frac{1}{8}$, 1 $\frac{1}{8}$, 1 $\frac{1}{4}$, 2, 2 $\frac{1}{2}$, 3	1 $\frac{1}{8}$, 1 $\frac{1}{8}$, 1 $\frac{1}{4}$, 20, 2 $\frac{1}{2}$, 3
3	JXD2, JD6, JXD6, HJD6, HJXD6, HHJD6, HHJXD6, SJD6, SHJD6	2-3	400	J6N1 ^①	120	41 $\frac{1}{16}$	22 $\frac{27}{64}$	10 $\frac{45}{64}$	37	18 $\frac{1}{4}$	2 $\frac{3}{4}$	—	—
3	LD6, LXD6, HLD6, HLXD6, HLLD6, HLLXD6, SLD6, SHLD6, SCJD6, SCLD6, CJD6, CLD6	2-3	600	LD6N1 ^①	101	46	22 $\frac{27}{64}$	10 $\frac{45}{64}$	42	18 $\frac{1}{4}$	2 $\frac{3}{4}$	—	—
3	LMXD6, LMD6, HLMXD6, HLMD6	2-3	800	LMD1 ^②	202	60	22 $\frac{27}{64}$	10	55 $\frac{1}{2}$	18 $\frac{1}{4}$	2 $\frac{3}{4}$	—	—
3	MD6, MXD6, SMD6, HMD6, HMXD6, SHMD6, ND6, NXD6, SND6, HND6, HNXD6, SHND6, CMD6, SCMD6, CND6, SCND6	2-3	1200	MND61 ^②	202	60	22 $\frac{27}{64}$	10	55 $\frac{1}{2}$	18 $\frac{1}{4}$	2 $\frac{3}{4}$	—	—
—	PD6, PXD6, HPD6, HPXD6, CPD6, RD6, SPD6, SHPD6, RXD6, HRD6, HRXD6	3	2000	PRD6N1 ■	350	90	32	28	—	—	—	—	—

For inches / millimeters conversion, see Application Data section.

All above enclosures are suitable for use as service entrance devices

■ Built to order. Allow 2-3 weeks for delivery.

①Surface mounted, indoor. If flush mounting is required, replace suffix "S" in catalog number with suffix "F".

Also, if outdoor model required, use prefix "W" instead of "E".

②Neutral not included. Order as separate item from table on next page.

③Neutral included in enclosure.

④Surface mounted, indoor. If outdoor model is required, use prefix "W" instead of "E". Not available in flush ("F") model.

⑤Use for 110-125 ampere ED4, ED6, or HED4 circuit breakers.

⑥Will not accept breaker with shunt trip.

⑦Will not accept 2-pole GFP or breaker with shunt trip.

⑧Includes 100% rated breakers.

⑨Enclosure will accept shunt trip and other internal accessories except GFP.

Enclosed Circuit Breakers

Enclosures — Type 1

Selection

Dimensions

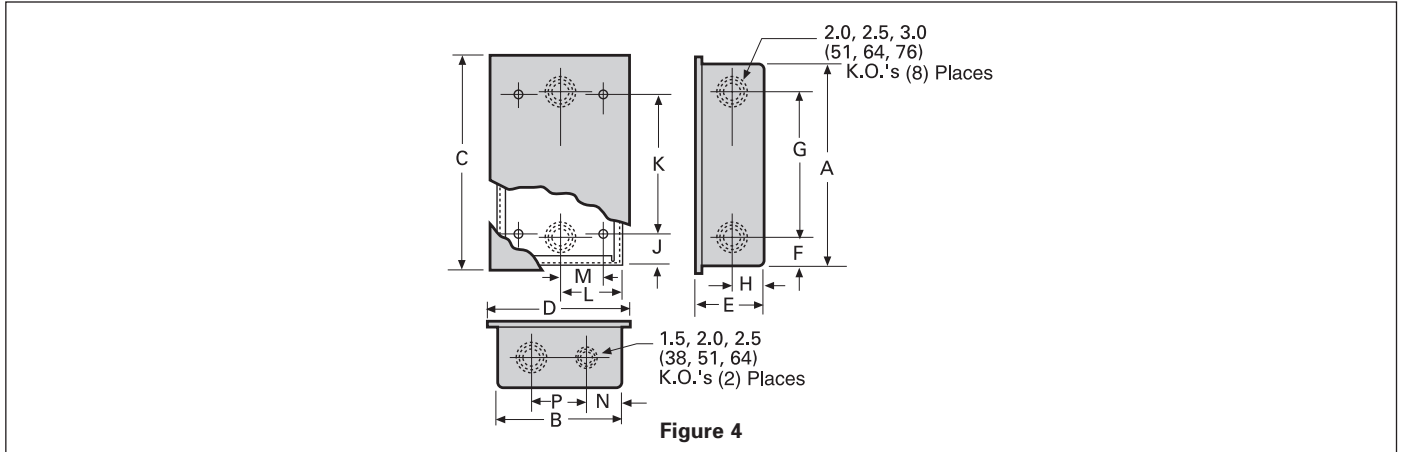


Figure 4

Figure Number	Breaker Frame	Number of Poles	Maximum Current Rating	Catalog Number	Weight Lb./Ship. Package	Dimensions (inches)													
						A	B	C	D	E	F	G	H	J	K	L	M	N	P
4	QJ2, QJH2, QH2-H	2-3	225	EB3225S EB3225F	15	27	10 ⁵ / ₁₆	27	10 ⁵ / ₁₆	5 ¹ / ₂	2 ¹³ / ₁₆	21 ¹ / ₁₆	2 ³ / ₁₆	3	20	5 ⁵ / ₁₆	2 ³ / ₁₆	2 ³ / ₁₆	4 ¹ / ₂
						27	10 ⁵ / ₁₆	28 ¹ / ₁₆	11 ¹ / ₁₆	5 ¹ / ₂	2 ¹³ / ₁₆	21 ¹ / ₁₆	2 ³ / ₁₆	3	20	5 ⁵ / ₁₆	2 ³ / ₁₆	2 ³ / ₁₆	4 ¹ / ₂

Neutrals

Neutral Catalog Number	Enclosure Catalog Number	Neutral Cable Capacity and Wire Range
N225QJ	EB3225(S)(F)	(1 pc.) #4 - 2/0 Cu/Al (1 pc.) #1 - 300 kcmil Cu/Al Gnd. Lug (1pc.) #14 - #4 & (3 pcs.) #14 - #10 Cu or (1 pc.) #12 - #4 & (3 pcs.) #12 - #10 Al
N125GG	GG0121SN/FN	(1 pc.) #14-2/0 Cu/Al, (1 pc.) #1-300 kcmil Cu/Al Gnd. Lug (1 pc.) #12 - #4 Cu/Al (3 pcs.) #12 - #10 Cu/Al
W53045	E2N1(S)(F)	(1 pc.) #14-2 Cu/Al Gnd. Lug (1 pc.) #14-8 Cu/Al
	CED6N1(S)(F)®	
N250	F6N1(S)(F)	(1 pc.) #6-350 kcmil Cu/Al Gnd. Lug (1 pc.) #14-2/0 Cu/Al
W60992	J6N1	(1 pc.) #1/0-750 kcmil Cu/Al or (2 pcs.) #1/0-300 kcmil Cu/Al Gnd. Lug (1 pc.) #6-250 kcmil Cu/Al
W60993	LD6N1	(2 pcs.) #1/0-600 kcmil Gnd. Lug (1 pc.) #6-250 kcmil Cu/Al
W63623	LMD1	(4 pcs.) 250 kcmil-500 kcmil Cu/Al® Gnd. Lug (1 pc.) #6-300 kcmil Cu/Al
	MND61	
N2000	PRD6N1	(6 pcs.) #3/0-750 kcmil Cu/Al Gnd. Lug (2 pcs.) #3/0-750 Cu/Al

200% Neutrals (For Type 1, 3R, 4/4X and 12 Enclosures)

Neutral Catalog Number	Enclosure Catalog Number	Neutral Cable Capacity and Wire Range
N2250	F6N1(S)(F)®	(2 pcs.) #4-350 kcmil Cu/Al Gnd. Lug (1 pc.) #14-2/0 Cu/Al
W60993	J6N1®	(2 pcs.) #1/0-600 kcmil Gnd. Lug (1 pc.) #6-250 kcmil Cu/Al
W63623	LD6N1®	(4 pcs.) 250 kcmil-500 kcmil Cu/Al Gnd. Lug (1 pc.) #6-300 kcmil Cu/Al

For inches / millimeters conversion, see Application Data section.

- ®Surface mounted, indoor. If flush mounting is required, replace suffix "S" in catalog number with suffix "F". Also, if outdoor model required, use prefix "W" instead of "E".
- ®Neutral not included. Order as separate item from table on next page.

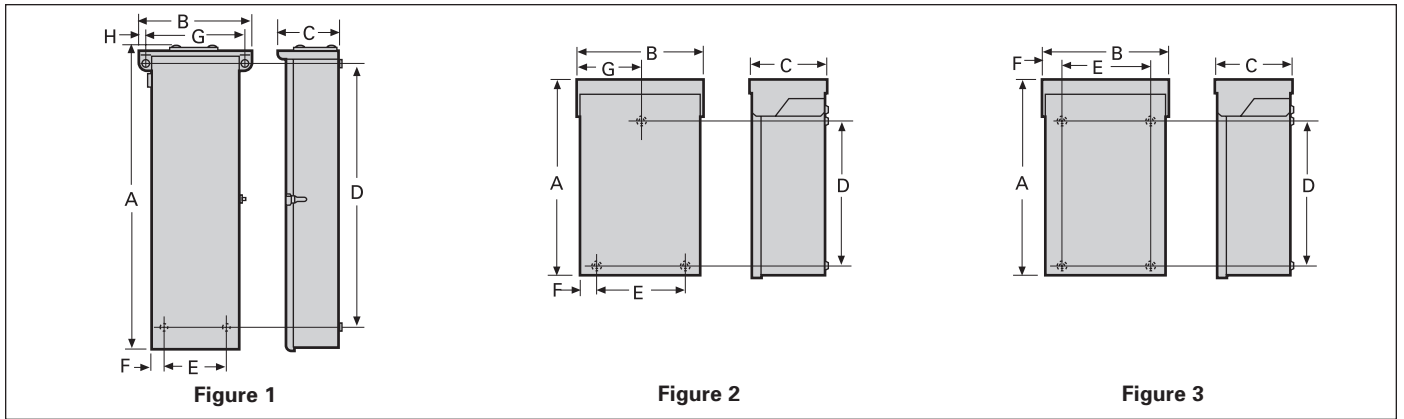
- ®Surface mounted, indoor. If outdoor model is required, use prefix "W" instead of "E". Not available in flush ("F") model.
- ®Use for 110-125 ampere ED4, ED6, or HED4 circuit breakers.
- ®Will not accept breaker with shunt trip.
- ®Also for use with Type 3R, 12, 12K & 4X enclosures (Catalog numbers F6N3R, F6N12, F6N12K & FD6SS4).

- ®Also for use with Type 3R, 12 & 4X enclosures (Catalog numbers J6N3R, J6N12, & LD6SS4).
- ®Also for use with Types 3R and 12 enclosures (Catalog numbers LD6N3R & LD6N12).
- ®For 600 MCM neutral cable (3) in, (3) out (#4-600 kcmil Cu/Al) use catalog number W411239

Enclosed Circuit Breakers

Enclosures — Type 3R

Selection



Type 3R

Figure Number	Breaker Frame	Number of Poles	Maximum Current Rating	Catalog Number	Weight Lb./Ship. Package	Dimensions (inches)							
						A	B	C	D	E	F	G	H
2	QP, QPH	1-2	60	W0204ML1060 ^①	28	8 ⁵ / ₈	5 ⁵ / ₈	4 ⁵ / ₈	—	—	—	—	—
2	QPP, QPPH, HQPP	1-4	225	W0406ML1225CU ^①	24	23 ³ / ₈	10 ¹ / ₂	4 ¹ / ₈	20	7 ¹ / ₂	1 ¹ / ₈	5 ¹ / ₂	—
2	QP, QPH, HQP	3	100	W0303ML3100 ^①	9	17 ³ / ₈	7 ³ / ₈	4 ⁵ / ₈	14 ³ / ₈	4 ¹ / ₂	1 ¹ / ₈	3 ¹ / ₈	—
2	BQ, BQH, HBQ	3 3	50 100	WB3100 ^②	9	17 ³ / ₈	7 ³ / ₈	4 ⁵ / ₈	14 ³ / ₈	4 ¹ / ₂	1 ¹ / ₈	3 ¹ / ₈	—
2	NGG	2-3	125	GG0123RN	15	19 ¹ / ₄	9	5	16 ¹ / ₈	6	1 ¹ / ₄	4 ¹ / ₂	—
5	ED2, ED4, ED6, HED4, HED6	2-3	100	E2N3R ^③	12	17 ¹ / ₈	7 ¹ / ₄	5 ¹ / ₄	12 ³ / ₆₄	5 ¹ / ₄	1	3	—
5	CED6, ED2, ED4, ED6	2-3	125	CED6N3R ^③	16	22 ¹ / ₆₄	7 ¹ / ₄	5 ¹ / ₄	17 ³ / ₈	5 ¹ / ₄	1	3	—
1	FXD6, FD6, FXD6, FD6, HFD6, HFXD6, HHFD6, CFD6	2-3	250	F6N3R ^②	45	38 ³ / ₈	14 ¹ / ₈	7 ³ / ₄	33 ³ / ₃₂	8	1 ³ / ₈	13 ¹ / ₂	1 ³ / ₈
1	JXD2, JD6, JXD6, HJD6, HJXD6, HHJD6, HHJXD6, SJD6, SHJD6	2-3	400	J6N3R ^②	126	40 ⁶ / ₆₄	26 ³ / ₈	11 ² / ₃₂	35 ¹ / ₄	18 ¹ / ₄	2 ¹ / ₈	24 ¹ / ₂	1 ¹ / ₈
1	LD6, LXD6, LXD6H, HLD6, HLXD6, HHLXD6, CJD6, CLD6, SCJD6, SLD6, SHLD6	2-3	600	LD6N3R ^②	137	45 ⁶ / ₆₄	26 ³ / ₈	11 ² / ₃₂	40 ¹ / ₄	18 ¹ / ₄	2 ¹ / ₈	24 ¹ / ₂	1 ¹ / ₈
4	LMXD6, LMD6, HLMXD6, HLMD6	2-3	800	LMD3R ^②	210	61 ¹ / ₆₄	26 ³ / ₈	11 ² / ₃₂	57 ¹ / ₃₂	18 ¹ / ₄	2 ¹ / ₈	24 ¹ / ₂	1 ¹ / ₈
1	MD6, MXD6, SMD6, HMD6, HMXD6, SHMD6, ND6, NXD6, SND6, HND6, HNXD6, SHND6, CMD6, SCMD6, CND6, SCND6	2-3	1200	MND63 ^②	210	61 ¹ / ₆₄	26 ³ / ₈	11 ² / ₃₂	57 ¹ / ₃₂	18 ¹ / ₄	2 ¹ / ₈	24 ¹ / ₂	1 ¹ / ₈

For inches / millimeters conversion, see Application Data section.

Note: All above enclosures are suitable for use as service entrance equipment.

① Does not include circuit breaker. Order circuit breaker separately.

② Neutral not included. Order as separate item from table on next page.

③ Neutral included in enclosure.

④ Will not accept breaker with shunt trip.

⑤ Will not accept 2 pole GFP or breaker with shunt trip.

⑥ Includes 100% rated breakers.