

22MM METAL ROUND ACTUATOR: PUSH-PULL BUTTON
40MM LATCHING W.PULL-TO-UNLOCK MECH.
ILLUMINABLE INCL. HOLDER FOR 3 ELEMENTS WITH
HOLDER RED

Actuator:		
Design of the product		Single device round
Design of the operating mechanism		Mushroom-shaped push-pull switch
Outer diameter / of the actuating element	mm	40
Manner of function / of the actuating element		Latching
Type of unlocking device		pull-to-unlatch mechanism
Color / of the actuating element		Red
Material / of the actuating element		plastic
Number of switching positions		2
Product component / front ring		Yes
Material / of the front ring		metal
Color / of the front ring		silver
Design of the front ring		Standard
Product function / EMERGENCY STOP function		No

Holder:		
Material / of the holder		Metal

General technical data:		
Shock resistance		
<ul style="list-style-type: none"> • for devices with incandescent lamp / acc. to IEC 60068-2-27 • for devices without incandescent lamp / acc. to IEC 60068-2-27 		<= 30g <= 50g
Vibration resistance / acc. to IEC 60068-2-6		20 ... 200 Hz: 5g
Operating frequency / maximum	1/h	1,000
Mechanical service life (switching cycles) / typical		300,000
Product expansion / optional / Light source		Yes
Reference code		
<ul style="list-style-type: none"> • acc. to DIN EN 61346-2 • acc. to DIN 40719 extended according to IEC 204-2 / acc. to IEC 750 		S S
Tightening torque / of the screws in the bracket / maximum	N·m	1
Ambient temperature		

• during operation	°C	-25 ... +70
• during storage	°C	-40 ... +80
Protection class IP		IP67
Climate class / during operation / acc. to EN 60721		3K6
Mounting type		front mounting
Shape / of the installation opening		round
Installation width	mm	40
Mounting diameter	mm	22
Mounting height	mm	24.5
Installation depth	mm	29

Certificates/ approvals:

General Product Approval



Test Certificates

[Special Test Certificate](#)

Shipping Approval



other

[Confirmation](#)

[other](#)

[Environmental Confirmations](#)

Further information:

Information- and Downloadcenter (Catalogs, Brochures,...)

<http://www.siemens.com/industrial-controls/catalogs>

Industry Mall (Online ordering system)

<http://www.siemens.com/industrial-controls/mall>

Cax online generator

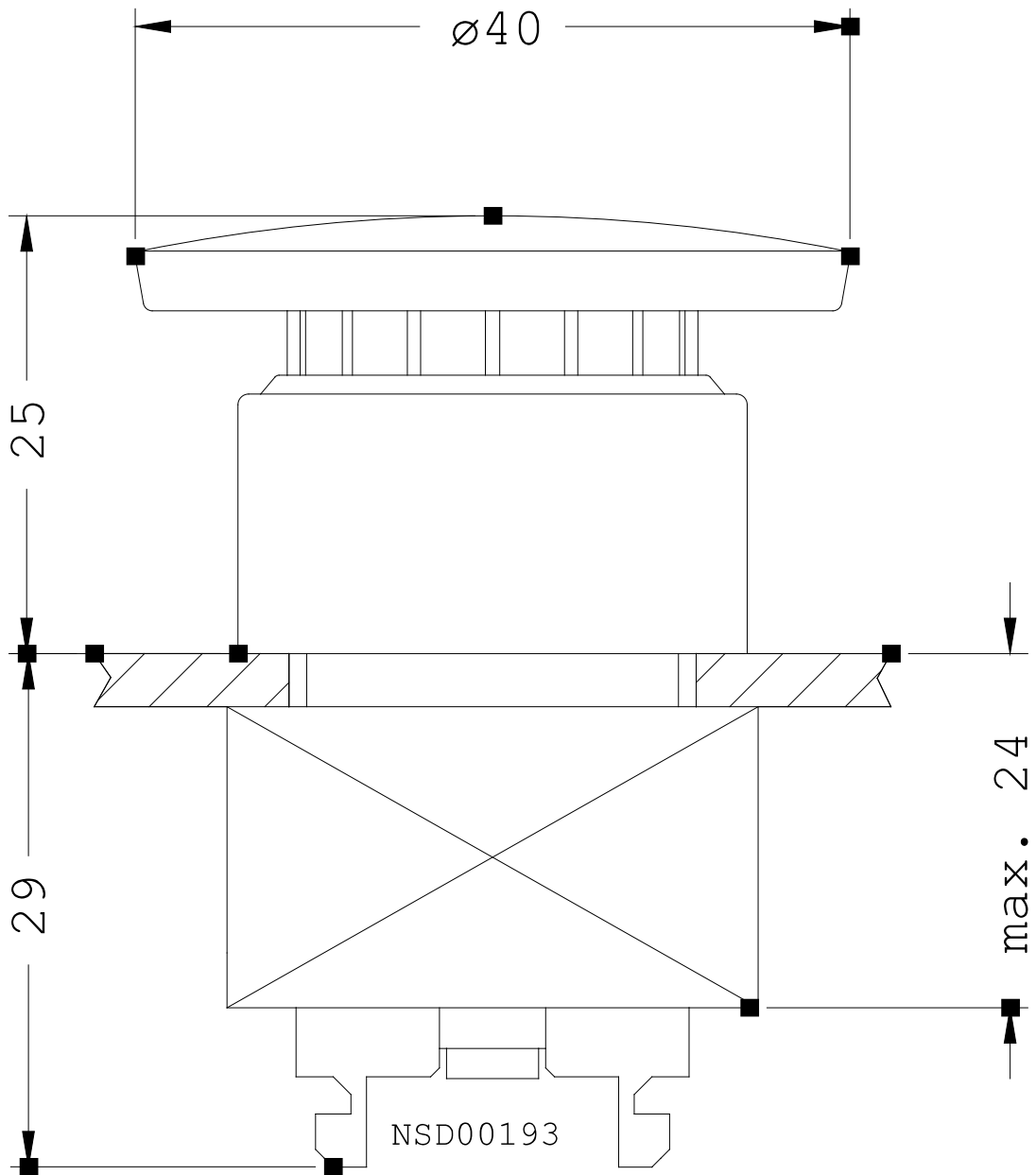
<http://www.siemens.com/cax>

Service&Support (Manuals, Certificates, Characteristics, FAQs,...)

<http://support.automation.siemens.com/WW/view/en/3SB3501-1CA21/all>

Image database (product images, 2D dimension drawings, 3D models, device circuit diagrams, ...)

http://www.automation.siemens.com/bilddb/cax_en.aspx?mlfb=3SB3501-1CA21



last change:

Nov 3, 2014