

New Energy-Efficient LED Ceiling Occupancy Sensor Turns Lights ON/OFF Automatically



Ideal for Closets, Storage Areas, Attics and Basements Meets NFPA[®] 70, NEC[®] Section 410.16, C (1) Requirements

Leviton has expanded its line of Ceiling Lampholders for closets and closed spaces to include this new LED Ceiling Occupancy Sensor model. With the phase-out of incandescent lamps, LED lighting is today's energy-efficient alternative to incandescent fixtures as well as the popular alternative to CFL fixtures. Our new LED Ceiling Occupancy Sensor incorporates today's most desired features and meets NFPA 70 and NEC Section 410.16, C (1) requirements. Suitable for all areas of the home, it automatically senses movement to turn lights ON. It is easy to install with pigtail leads and has mounting holes for multiple box configurations.

Applications

- Install in closets, workrooms, basements, storage areas, utility rooms and attics
- Suitable for indoor use only
- Lights turn ON automatically when motion is detected and OFF after 3 minutes when no motion is detected
- Green LED indicator light blinks when motion is detected



Features and Benefits

- 8.7W LED module
- Occupancy Sensor
- Automatic ON/OFF - no wall switch required
- 284° Field of view
- Built of tough thermoplastic
- Pigtail leads provide easy installation
- Four mounting holes on housing to position for maximum coverage
- Backed by a Limited Two-Year Warranty

Note: Not intended for dimmers

Agency Standards

- ENERGY STAR Qualified
- ETL Listed
- CA Title 24 Compliant
- Meets NFPA® 70, NEC® Section 410.16, C (1) Requirements
- Can be utilized in closets and open spaces

Rating

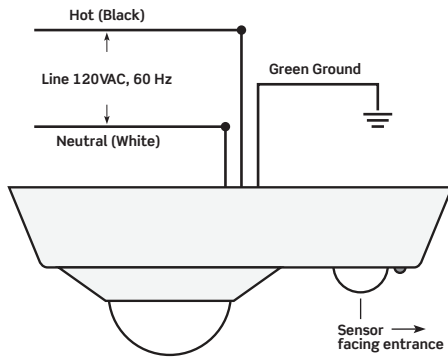
- 8.7W-120VAC, 60 Hz

Specifications

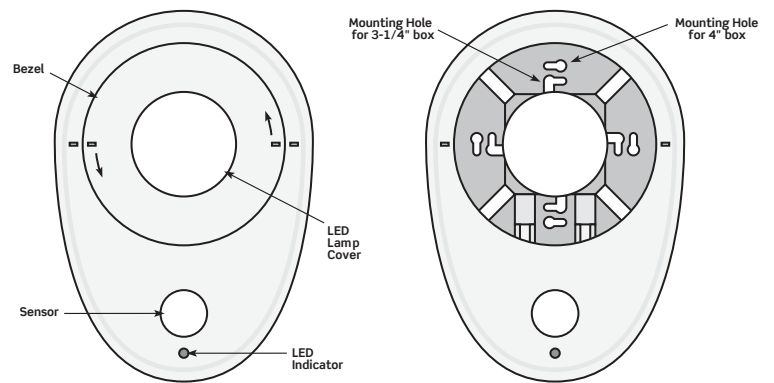
- Lamp Output = 800 Lumens
- Lamp Color = 4000K
- Average Luminaire Life = Approximately 50,000 hours

Note: Supply conductors must have minimum 90° rating

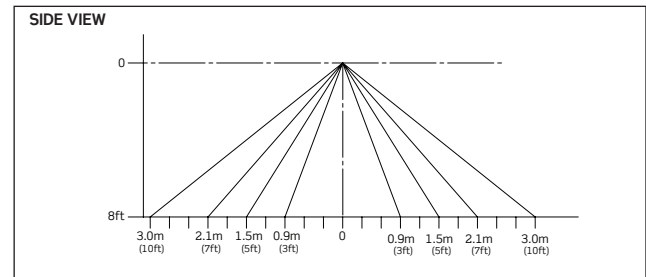
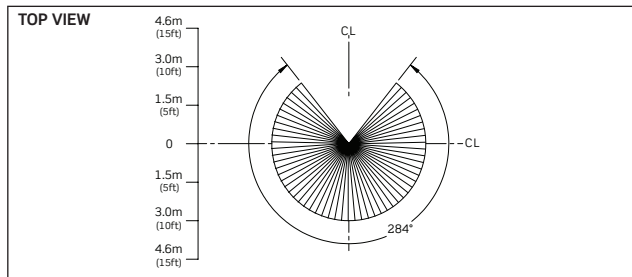
Wiring Diagram



Dimensional Drawings



Field of View



Ordering Information

Cat. No.	Description	UPC Number	Standard Pack
001-09864-LED	LED Ceiling Occupancy Sensor	07847773204 5	1/Box, 18/Carton



Leviton Manufacturing Co., Inc.

201 North Service Road, Melville, NY 11747-3138
 Telephone: 1-800-323-8920 • FAX: 1-800-832-9538
 Tech Line (8:30AM-7:00PM E.T. Monday-Friday): 1-800-824-3005

Visit our Website at: www.leviton.com/sensors

© 2015 Leviton Manufacturing Co., Inc. All rights reserved.
 All trademarks are the property of their respective owners.

