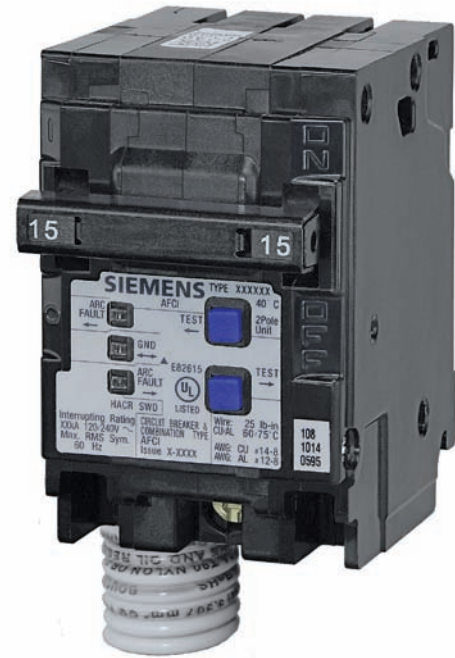


Circuit Breaker and Combination Type AFCI

2-pole

Features:

- Plug in circuit breaker
- LED trip indicators - a Siemens exclusive!
- 10kA interrupting rating
- 22kA interrupting rating for "H" models
- UL Listed
- 120 Volts AC
- Wire range #14 - 8 AWG
- Padlocking device available, use catalog number ECPLD2
- Handle blocking device available, use catalog number ECBX231M



2-pole Combination Type AFCI

| Catalog number | Ampere rating | Interrupting rating | UL type |
|----------------|---------------|---------------------|---------|
| Q215AFC | 15 | 10kA | QAF |
| Q220AFC | 20 | 10kA | QAF |
| Q215AFCH | 15 | 22kA | QAFH |
| Q220AFCH | 20 | 22kA | QAFH |

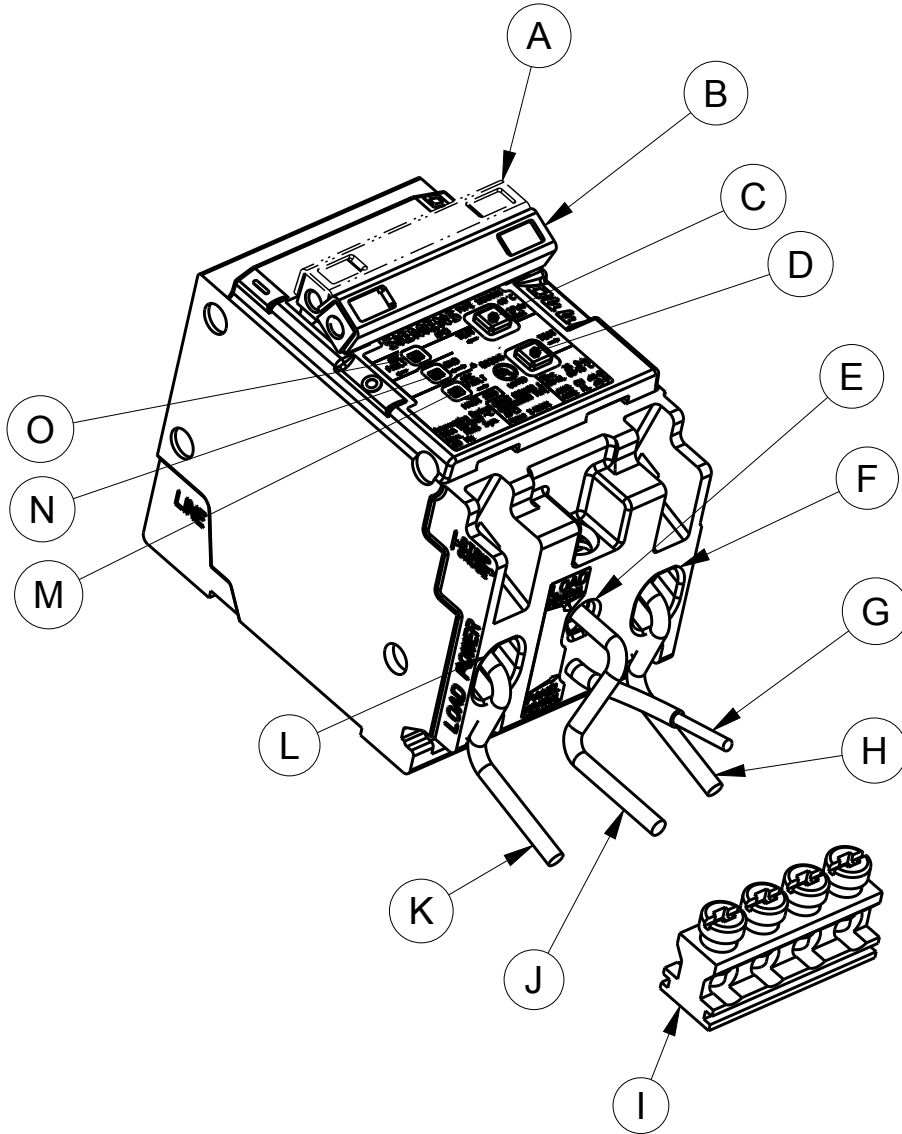
Data Sheet

www.usa.siemens.com/afci

SIEMENS

Circuit Breaker and Combination Type AFCI

Parts description



A Handle tripped center position

B Breaker handle

C Blue test button

D Blue test button

E Neutral terminal

F Load terminal

G Neutral (pig tail) wire

H Load power wire

I Panel neutral

J Load neutral wire

K Load power wire

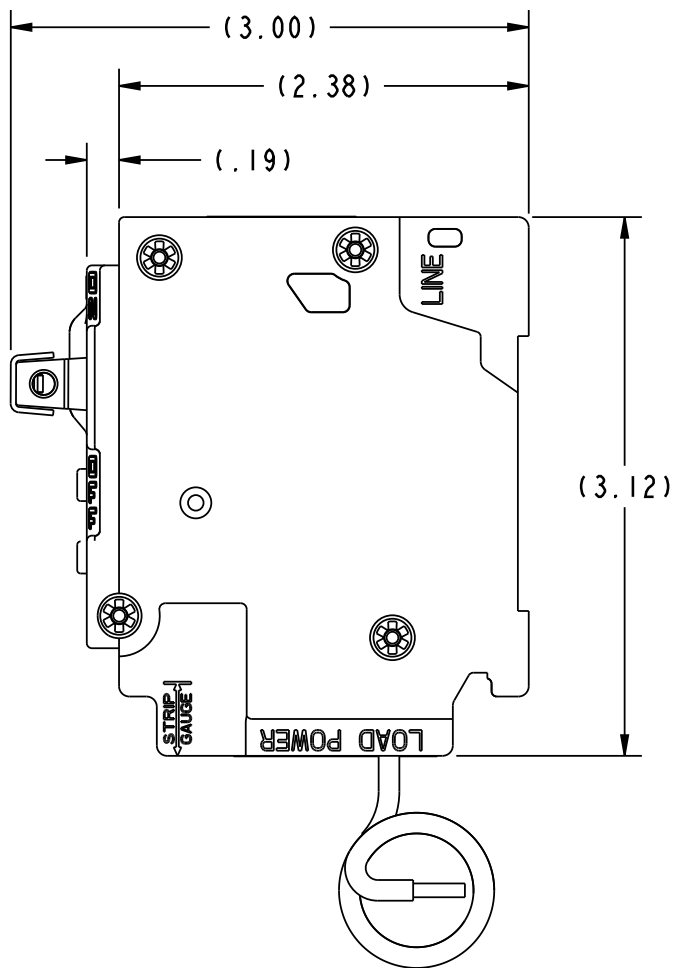
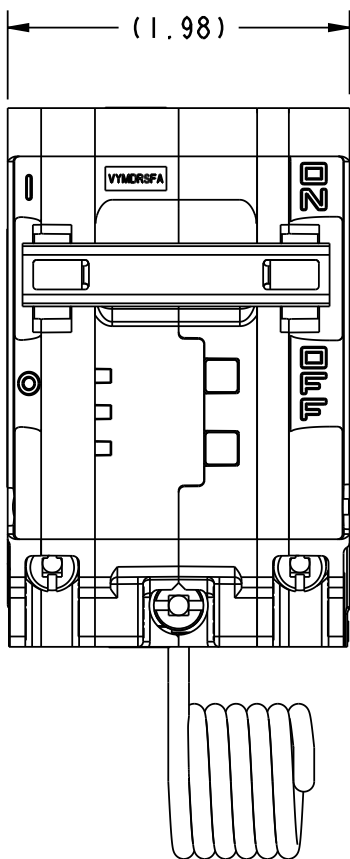
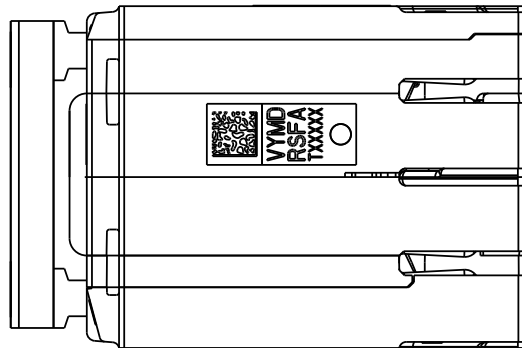
L Load terminal

M LED trip indicator

N LED trip indicator

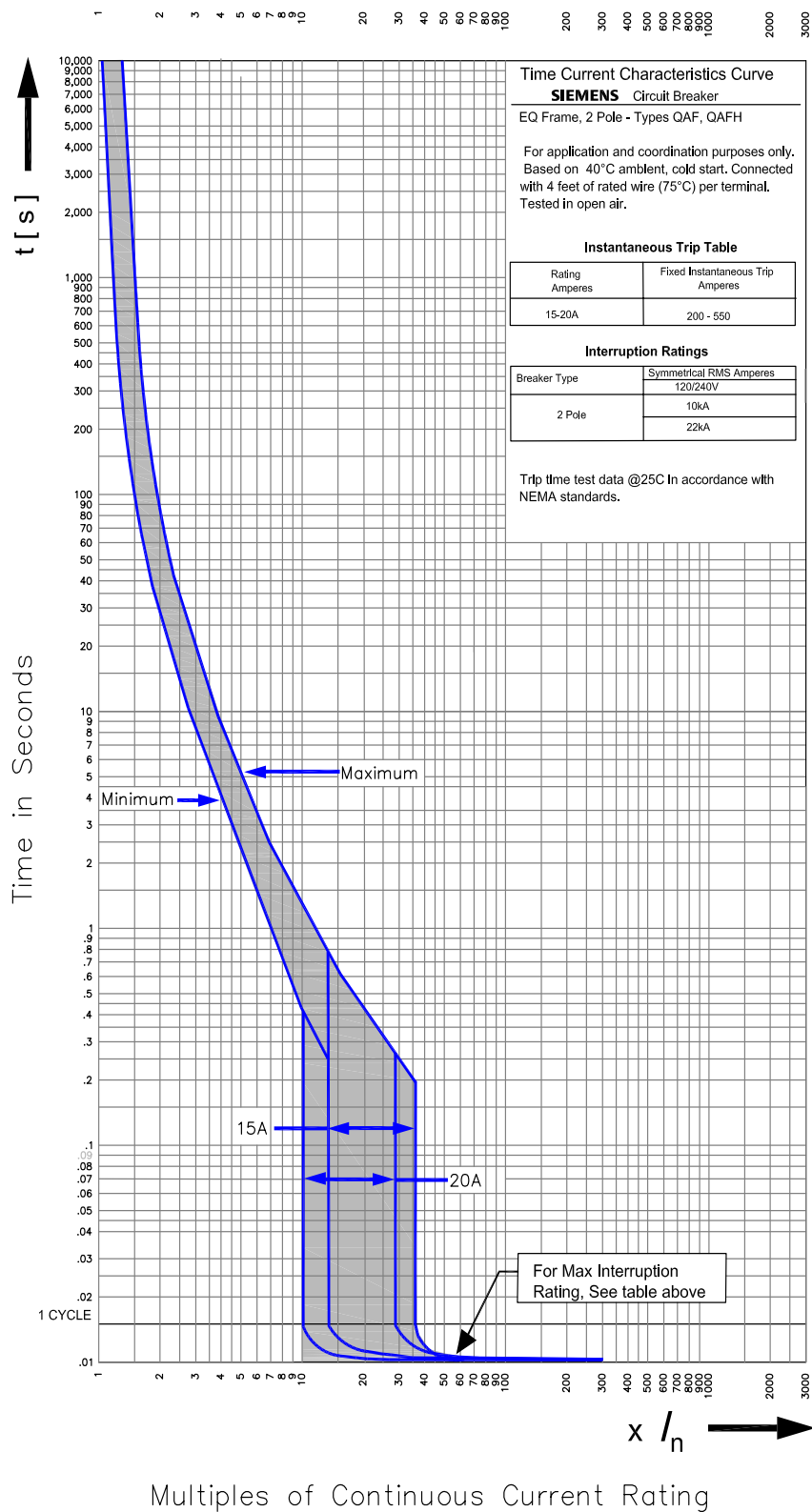
O LED trip indicator

Circuit Breaker and Combination Type AFCI Outline drawings (inches)



Circuit Breaker and Combination Type AFCI

Time current characteristic curves



Siemens Industry, Inc.
 Building Technologies Division
 5400 Triangle Parkway
 Norcross, GA 30092

1-800-964-4114
 info.us@siemens.com

©2009 Siemens Industry, Inc.
 All Rights Reserved. Siemens is a registered trademark of Siemens AG. Product names mentioned may be trademarks or registered trademarks of their respective companies. Specifications are subject to change without notice.

RPFL-2POLE-0409