

Specification Data

Panasonic Ventilation Fan



FV-08VQL5 (80 CFM)

Description

Ventilating fan shall be Low Noise ceiling mount type rated for continuous operation. Fan shall be ENERGY STAR rated and certified by the Home Ventilating Institute (HVI). Fan shall include energy efficient compact fluorescent lighting. Evaluated by Underwriters Laboratories and conform to both UL and cUL safety standards.

Motor/Blower:

- Four-pole totally enclosed condenser motor rated for continuous operation.
- Power Rating shall be 120 volts and 60 Hz.
- Fan shall be UL and cUL listed for tub/shower enclosure when used with a GFCI branch circuit wiring and use in insulated ceiling (TYPE I.C.)
- Motor equipped with thermal-cut-off fuse.
- Removable with permanently lubricated plug-in motor.

Housing:

- Rust proof paint, galvanized steel body.
- Detachable 4" diameter duct adapter.
- Built in backdraft damper.
- Double hanger bar system allowing for ideal positioning.
- Expandable extension bracket up to 24".

Grille:

- Attractive design using PP material.
- Attaches directly to housing with torsion springs.

Light:

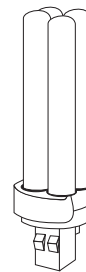
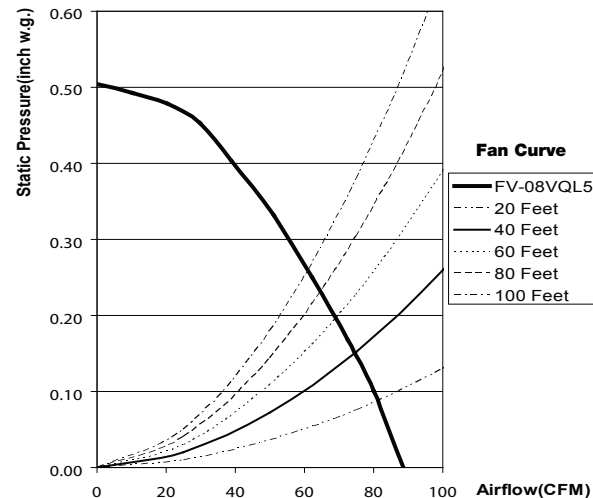
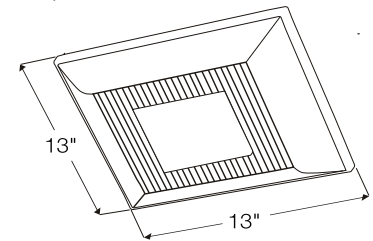
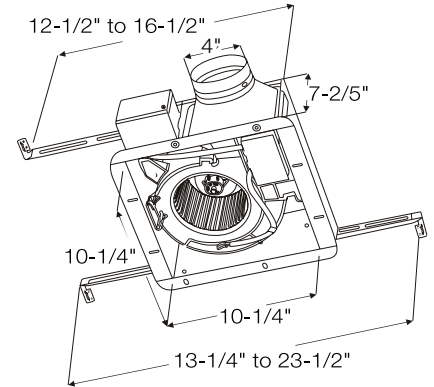
- One 32-Watt compact fluorescent lamp with electronic ballast included.
- One 4-Watt night-light included.
- FCC Part 18 compliant.

Warranty:

- The factory warranty shall be a minimum of 3 years.

Typical Specifications:

Ventilating fan and light shall be of the ceiling mount, ENERGY STAR rated type, with no less than 80 CFM and no more than 0.3 sone as certified by the Home Ventilating Institute (HVI) at 0.1 static pressure in inches water gauge. Fan power consumption shall be no greater than 14.9 watts and ENERGY STAR rated with efficiency rating of no less than 5.5 CFM/watt. The motor shall be totally enclosed, four pole condenser type engineered to operate continuously. Power rating shall be 120v/60Hz. Duct diameter shall be no less than 4". Fan shall be UL and cUL listed for tub/shower enclosure when used with GFCI branch circuit wiring and use in insulated ceiling (TYPE I.C.) Lamps shall be compact fluorescent utilizing no less than one 32-Watt light bulb with electronic ballast and include one 4-Watt night-light. Fan shall be ASHRAE 62.2, LEED, EarthCraft, California Title 24, ENERGY STAR IAP and WA Ventilation Code compliant.



Included:
1 Panasonic
32-Watt
Compact
Fluorescent
Lamp.



Specifications:	FV-08VQL5	
Static Pressure (inches w.g.)	0.1"	0.25
Air Volume (CFM)	80	62
Noise (sones)	<0.3	0.4
Power Consumption (Watts)	14.9	14.7
Energy Efficiency (CFM/Watts)	5.5	4.3
Speed (RPM)	863	1117
Current (Amps)	0.12	0.12
Power Rating (V/Hz)	120/60	
ENERGY STAR rated	Yes	

As of 06/10

For Complete Installation Instructions Visit www.panasonic.com/building

Model	Quantity	Comments	Project:
			Location:
			Architect:
			Engineer:
			Contractor:
			Submitted by:
			Date: