

Specification Data

Panasonic Ventilation Fan



Description

Ventilating fan shall be Low Noise remote mount type rated for continuous run. Fan shall be certified by the Home Ventilating Institute (HVI). Fan shall include energy efficient compact fluorescent lighting and night-light. Heating element shall be included. Evaluated by Underwriters Laboratories and conform to both UL and cUL safety standards. Fan is not intended for installation over a tub/shower enclosure.

Motor/Blower:

- Four-pole totally enclosed condenser motor rated for continuous run.
- Power Rating shall be 120 volts and 60 Hz.
- Motor equipped with thermal-cutoff fuse.
- Removable with permanently lubricated plug-in motor.

Housing:

- Rust proof paint, galvanized steel body.
- 4" diameter duct adapter.
- Built-in backdraft damper.

Grille:

- Attractive design using ABS.
- Attaches directly to housing with torsion springs.

Light:

- Two 18-Watt, 3500 Kelvin quick start compact fluorescent lamps included.
- One 4-Watt Night-light included.

Heater:

- Tubular steel sheathed heating element. Nichrome wire with magnesium oxide for optimal heat transfer and electrical insulation at elevated temperatures.
- 90 CFM super quiet, energy efficient blower motor.
- Quick 1-minute warm-up.

Warranty:

- The factory warranty shall be a minimum of 3 years limited warranty on parts.

Typical Specifications:

Ventilating Fan, Heater, Light and night-light combination shall be ceiling mount, with no less than 110 CFM and no more than 0.7 sone as certified by the Home Ventilating Institute (HVI) at 0.1 static pressure in inches water gauge. Ventilating fan power consumption shall be no greater than 30.6 watts with efficiency rating of no less than 3.6 CFM/watt. The motor shall be totally enclosed, four pole condenser type engineered to run continuously. Power rating shall be 120v/60Hz. Duct diameter shall be no less than 4". Fan shall be California Title 24 compliant and UL listed for insulated ceiling (TYPE I.C.)

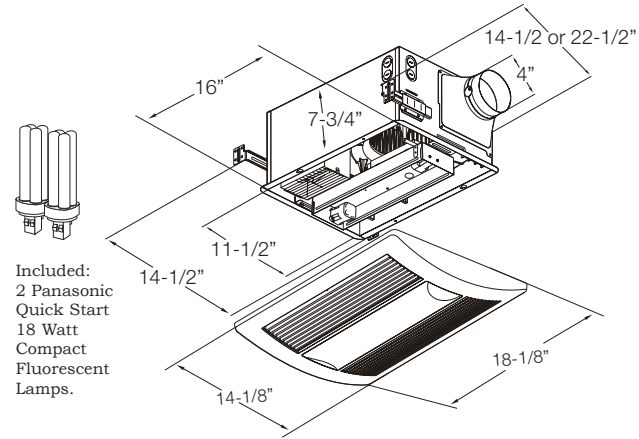
Heating element shall be Nichrome wire in tubular steel sheath construction with magnesium oxide for optimal heat transfer. Heating element power consumption no less than 1400 watts. Heating feature shall include a 90 CFM blower fan with energy efficient condenser type motor and quick 1-minute warm-up.

Lamps shall be of the compact fluorescent type with the fan utilizing no less than two 18-watt energy efficient, compact fluorescent lamps. One 4-Watt night-light bulb is included.

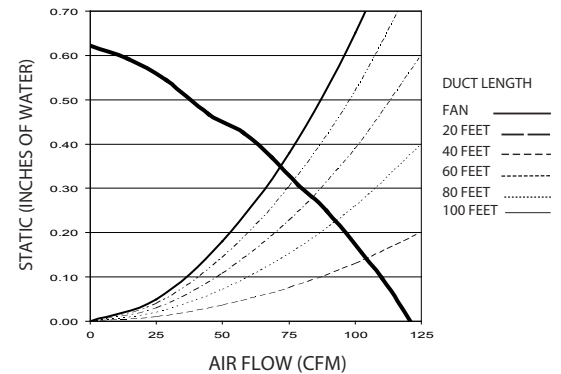
The heating element is designed to be used for supplemental heating only and does not contribute to the ENERGY STAR qualification of the product.

Minimum 20 Amp dedicated circuit recommended. For optimum performance, install heater no more than 8 feet from floor to ceiling.

FV-11VHL2 (110 CFM)



Fan Curve FV-11VHL2



Specifications:		
	FV-11VHL2	
Static pressure in inches w.g.	0.1"	0.25"
Air Volume (CFM)	110	89
Noise (sones)	0.7	NA
Power Consumption (Watts)	30.6	30.5
Energy Efficiency: CFM/Watt	3.6	2.9
Speed (RPM)	812	956
Heating Element (Watts)	1400	
Heater Fan (Watts)	25	
Fan/Heater/Light/Night-Light (Watts)	1496	
Fan/Heater/Light/Night-Light (Amps)	12.5	
ENERGY STAR Rated	No	
Washington State VIAQ Code	Yes	

For Complete Installation Instructions Visit www.panasonic.com/building



Model	Quantity	Comments	Project:
			Location:
			Architect:
			Engineer:
			Contractor:
			Submitted by:
			Date: