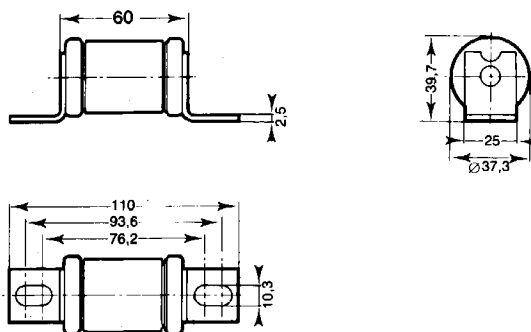


URR/URGL/URU/URGM British Standard

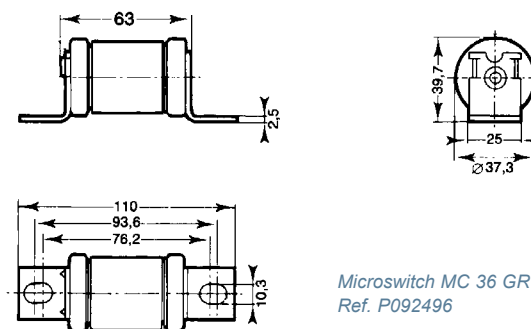
Size	Description	Catalog No.
36x55mm	6,9 URGL36/50	X097103
	6,9 URGL36/65	H097113
	6,9 URGL36/75	H097136
	6,9 URGL36/85	M097163
	6,9 URGL36/90	N097164
	6,9 URGL36/110	P097165
	6,9 URGL36/150	Q097166
	6,9 URGL36/180	R097167
	6,9 URR36/200	T097169
	6,9 URGL36/200	V097170
	6,9 URR36/250	W097171
	6,9 URGL36/280	A097175
	6,9 URGL36/315	B097176
	6,9 URGL36/355	C097177
	6,9 URGL36/400	D097178

36x55 - without Trip-Indicator (mm)



Size	Description	Catalog No.
36x55mm	6,9 URGL36T50	N097210
	6,9 URGL36T65	K097230
	6,9 URGL36T75	H099965
	6,9 URGL36T85	M097255
	6,9 URGL36T90	N097256
	6,9 URGL36T110	R099973
	6,9 URGL36T150	Z082178
	6,9 URGL36T180	P097257
	6,9 URR36T200	A085560
	6,9 URGL36T200	R097259
	6,9 URR36T250	W097263
	6,9 URGL36T250	X097264
	6,9 URGL36T280	Y097265
	6,9 URGL36T315	Z097266
	6,9 URGL36T355	A097267
	6,9 URGL36T400	C097269

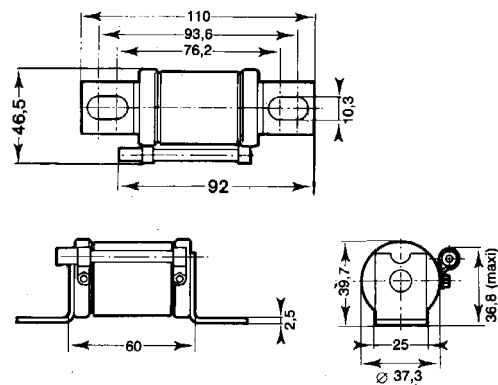
36x55 - with Built-in Trip-Indicator (mm)



Microswitch MC 36 GR 2.5 N -
Ref. P092496

Size	Description	Catalog No.
36x55mm	6,9 URGL36P90	H097182
	6,9 URR36P110	J097183
	6,9 URGL36P150	K097184
	6,9 URGL36P180	L097185
	6,9 URR36P200	M097186
	6,9 URGL36P200	N097187
	6,9 URR36P250	P097188
	6,9 URGL36P250	Q097189
	6,9 URGL36P280	R097190
	6,9 URGL36P315	V097193
	6,9 URGL36P355	Y097196
	6,9 URGL36P400	M097209

36x55 - with Separated Trip-Indicator (mm)

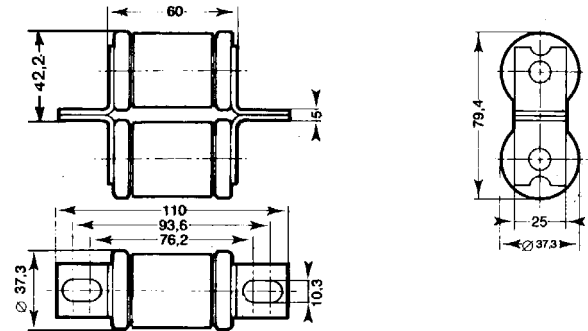


Microswitch MC 6.3 GR 2.5 N -
Ref. Y310015

URR/URGL/URU/URGM British Standard

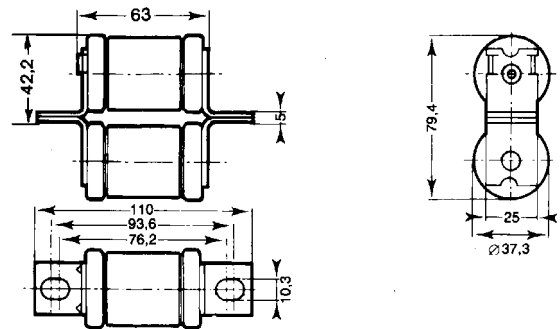
Size	Description	Catalog No.
2X36x55mm	6,9 URGM236/175	D097270
	6,9 URU236/200	F097272
	6,9 URU236/235	J097275
	6,9 URGM236/300	K097276
	6,9 URGM236/325	R097282
	6,9 URGM236/355	S097283
	6,9 URU236/400	T097284
	6,9 URGM236/450	Y097288
	6,9 URGM236/500	Z097289
	6,9 URU236/500	A097290
	6,9 URGM236/630	B097291
	6,9 URU236/630	R097351
	6,9 URGM236/710	S097352
6,9 URGM236/800	Y097357	

2x36x55 - without Trip-Indicator (mm)



Size	Description	Catalog No.
2X36x55mm	6,9 URGM236T175	F097456
	6,9 URU236T200	G097457
	6,9 URU236T235	A082179
	6,9 URGM236T300	S085553
	6,9 URGM236T325	J097459
	6,9 URGM236T355	N097463
	6,9 URU236T400	P097464
	6,9 URGM236T450	Q097465
	6,9 URGM236T500	R097466
	6,9 URU236T500	S09746
	6,9 URGM236T630	V097469
	6,9 URU236T630	W097470
	6,9 URGM236T710	C097476
6,9 URGM236T800	D097477	

2x36x55 - with Built-in Trip-Indicator (mm)



Microswitch MC 36 GR 2.5 N - Ref. P 092496

690/700 Volt PSC Square Body

Mersen 690/700V PSC square body fuses provide maximum flexibility in equipment design and ultimate protection for today's power conversion equipment. These square body fuses are available in four different body sizes, each size having more than seven worldwide acceptable mounting styles. The different mounting styles and body sizes along with a broad range of ampere ratings allow greatest flexibility in equipment design.

Mersen PSC fuses have been engineered to provide state-of-the-art protection for SCRs, diodes, thyristors, GTOs and IGBT devices. They have die-cut elements embedded in solidified sand, which helps control arcing characteristics for low I^2t and high interrupting rating. All contact surfaces are silver plated and all hardware is non-magnetic.

All PSC square body fuses are equipped with a low voltage trip-indicator. This trip-indicator can operate a field mountable microswitch which is easily mounted directly onto the fuse.

Features/Benefits:

- Choice of mounting styles gives wide choice for equipment design
- Broad range of ampere ratings in a given body size for design flexibility
- UL/CSA/IEC 60269-4 compliance for worldwide semiconductor applications

Highlights:

- Extremely fast-acting
- Current-limiting
- Very low I^2t
- Worldwide acceptability
- Superior cycling ability

Applications:

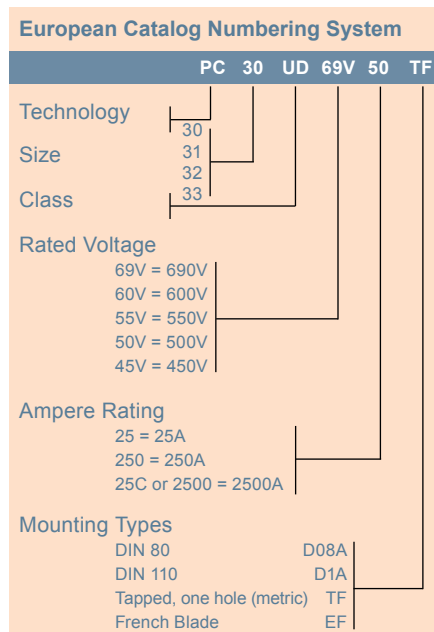
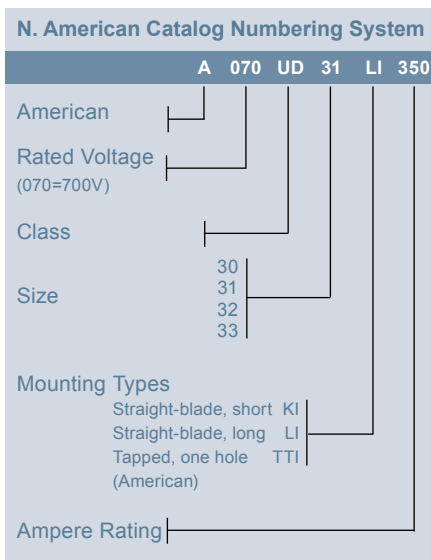
- Protection of rectifiers, inverters, DC drives, UPS Systems, reduced voltage motor starters, and other equipment in globally accepted applications

Catalog Number Designation:

A070 UR: North American
Mounting Style/Approval
Tested @ V_N

PC: European/IEC
Mounting Style/Approval
Tested @ $1.1 V_N$

* V_N = rated voltage



Ratings:

- Volts** : 450-700 VAC
 : DC - consult factory
- Amps** : 40-2500A
- I.R.** : 200kA AC

Approvals:

- UL recognized component
File E76491
- IEC 60269-4 certified
- CSA 012636 0 000
- CCC approved

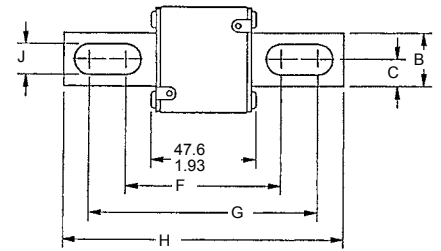


690/700 Volt PSC Square Body

North American Short Straight Blade, Type KI

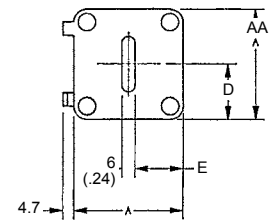
Body Size	Type	Dimensions - mm / in								
		A	B	C	D	E	F	G	H	J
30	KI	40 (1.57)	25 (.98)	12.5 (.49)	21 (.83)	18 (.71)	68 (2.68)	107 (4.21)	129 (5.08)	10.5 (.41)
31		51 (2.00)	25 (.98)	12.5 (.49)	25.5 (1.00)	22.5 (.88)	67.6 (2.66)	107.1 (4.216)	128.8 (5.07)	14.3 (.56)
32		60 (2.36)	32 (1.26)	16 (.63)	30 (1.18)	27 (1.06)	74.2 (2.92)	109 (4.29)	134 (5.28)	14.6 (.57)
33		74.5 (2.93)	40 (1.57)	20 (.79)	37.2 (1.46)	34.2 (1.35)	75.4 (2.97)	107.6 (4.24)	134 (5.28)	15.9 (.63)

Outline Dimensions: Types KI and LI



North American Long Straight Blade, Type LI

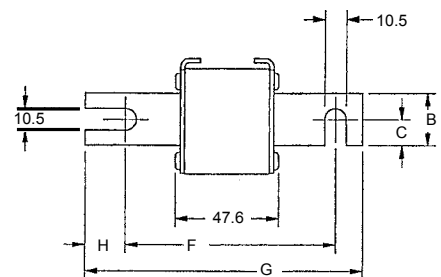
Body Size	Type	Dimensions - mm / in								
		A	B	C	D	E	F	G	H	J
30	LI	40 (1.57)	25 (.98)	12.5 (.49)	21 (.83)	18 (.71)	87.6 (3.45)	126.6 (4.98)	148.6 (5.85)	10.5 (.41)
31		51 (2.01)	25 (.98)	12.5 (.49)	25.5 (1.00)	22.5 (.89)	91.6 (3.61)	122.4 (4.82)	148.6 (5.85)	14.6 (.57)
32		60 (2.36)	32 (1.26)	16 (.63)	30 (1.18)	27 (1.06)	94.2 (3.71)	129 (5.08)	153 (6.02)	14.6 (.57)
33		74.5 (2.93)	40 (1.57)	20 (.79)	37.2 (1.46)	34.2 (1.35)	94.4 (3.72)	126.6 (4.98)	153 (6.02)	15.9 (.63)



European Blade DIN 80, Type D08A

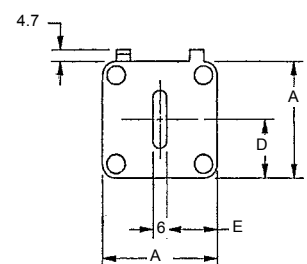
Body Size	Type	Dimensions - mm						
		A	B	C	D	E	F	G
30	DIN 80	40	25	12.5	21	17	77	110
31		51	25	12.5	25	22.5	77	110
32		60	32	16	30	27	77	110
33		74.5	40	20	37.2	34.25	77	110

Outline Dimensions: Types D08A and D1A



European Blade DIN 110, Type D1A

Body Size	Type	Dimensions - mm						
		A	B	C	D	E	F	G
30	DIN 110	40	25	12.5	21	17	101.6	134.6
31		51	25	12.5	25.5	22.5	101.6	134.6
32		60	32	16	30	27	101.6	134.6
33		74.5	40	20	37.2	34.25	101.6	134.6

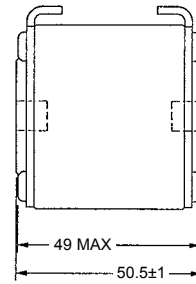
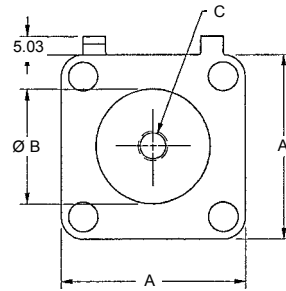


690/700 Volt PSC Square Body

North American Tap Single Hole, Type TTI

Body Size	Type	Dimensions - mm / in		
		A	B	C
30	TTI	1.57 (40)	1.00 (25)	5/16-18 x .35
31		2.00 (50.8)	1.19 (30.2)	5/16-18 x .35
32		2.37 (60.3)	1.50 (38.1)	3/8-16 x .35
33		2.94 (74.6)	1.81 (46)	1/2-13 x .35

Outline Dimensions Types TTI and TTF



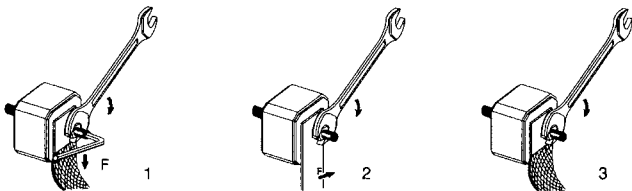
European Tap Single Hole, Type TTF

Body Size	Type	Dimensions - mm		
		A	B	C
30	TTF	40	26	M8 x 1.25 x 6 DP
31		51	30	M8 x 1.25 x 9 DP
32		60	38	M10 x 1.50 x 9 DP
33		74.5	46	M12 x 1.75 x 9 DP

Standard Threaded Studs

Size	Reference No. per Pair	Dimension Per Pair of Studs	Weight (g)	Max Stud Mounting Torque (Nm)*	Max Nut Tightening Torque (Nm)*		
					Fig. 1	Fig. 2	Fig. 3
30 & 31	S98801	HC M8 X 30 & M 8 X 35	23	10	13.5	13.5	13.5
32	T98802	HC M 10 X 30 & M 10 X 50	40	15	26	26	26
33	V98803	HC M 12 X 35 & M 12 X 50	60		46	46	46

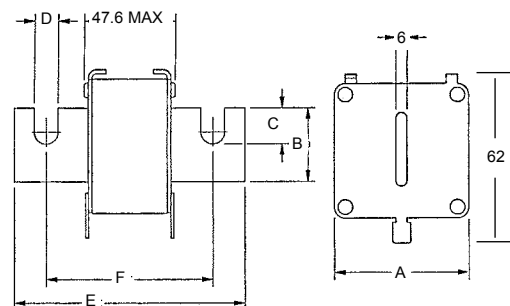
*in.lbs = Nm/0.113



Type EF

European French Blade, Type EF

Body Size	Type	Dimensions - mm					
		A	B	C	D	E	F
30	EF	40	18	11	9	100	76.6
31		50	25	16	10.5	110	86.5
32		59	32	21.2	13	13	90.8
33		74.5	40	19.5	13	13	91

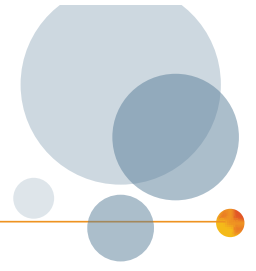


690/700 Volt PSC Square Body

690 Volt European/IEC Style Ratings and Application Data, DIN 110 Mounting

Body Size	Ampere Rating I_n (A)	Rated Voltage V_n (V) (IEC)	Melting I^2t ($A^2s \times 10^3$)	Total Clearing I^2t @ V_n ($A^2s \times 10^3$)	Watts Loss @ I_n (W)	Reference No.	Catalog No.	Description
30	50	690	0.116	0.68	9	G301191	PC30UD69V50D1A	6,9URD30D11A0050
	63	690	0.2	1.2	14	Q300118	PC30UD69V63D1A	6,9URD30D11A0063
	80	690	0.33	1.9	19	R300119	PC30UD69V80D1A	6,9URD30D11A0080
	100	690	0.47	2.7	26	S300120	PC30UD69V100D1A	6,9URD30D11A0100
	125	690	0.85	4.9	30	T300121	PC30UD69V125D1A	6,9URD30D11A0125
	160	690	1.6	9.2	37	V300122	PC30UD69V160D1A	6,9URD30D11A0160
	200	690	3	16.7	43	W300123	PC30UD69V200D1A	6,9URD30D11A0200
	250	690	5.8	32.4	50	X300124	PC30UD69V250D1A	6,9URD30D11A0250
	315	690	12	67	55	Y300125	PC30UD69V315D1A	6,9URD30D11A0315
	350	690	15.5	86	60	Z300126	PC30UD69V350D1A	6,9URD30D11A0350
	400	690	23	130	65	A300127	PC30UD69V400D1A	6,9URD30D11A0400
	450	690	26	165	88	S300695	PC30UD69V450D1A	6,9URD30D11A0450
	500	690	41	264	88	Y301091	PC30UD69V500D1A	6,9URD30D11A0500
550	690	52	330	90	Z301092	PC30UD69V550D1A	6,9URD30D11A0550	
31	200	690	2.6	14.6	45	H300019	PC31UD69V200D1A	6,9URD31D11A0200
	250	690	4.7	27	52	J300020	PC31UD69V250D1A	6,9URD31D11A0250
	315	690	7.5	43	65	K300021	PC31UD69V315D1A	6,9URD31D11A0315
	350	690	10.5	59	67	P300048	PC31UD69V350D1A	6,9URD31D11A0350
	400	690	19	110	68	L300022	PC31UD69V400D1A	6,9URD31D11A0400
	450	690	26.5	150	70	M300023	PC31UD69V450D1A	6,9URD31D11A0450
	500	690	37	210	72	N300024	PC31UD69V500D1A	6,9URD31D11A0500
	550	690	52	300	75	P300025	PC31UD69V550D1A	6,9URD31D11A0550
	630	690	75	421	85	Q300026	PC31UD69V630D1A	6,9URD31D11A0630
	700	690	95	530	95	R300027	PC31UD69V700D1A	6,9URD31D11A0700
800	690	140	880	120	H300709	PC31UD69V800D1A	6,9URD31D11A0800	
32	400	690	15	86	75	P300186	PC32UD69V400D1A	6,9URD32D11A0400
	450	690	22	124	80	Q300187	PC32UD69V450D1A	6,9URD32D11A0450
	500	690	28	157	90	R300188	PC32UD69V500D1A	6,9URD32D11A0500
	550	690	37	211	95	S300189	PC32UD69V550D1A	6,9URD32D11A0550
	630	690	54	302	105	T300190	PC32UD69V630D1A	6,9URD32D11A0630
	700	690	76	432	110	V300191	PC32UD69V700D1A	6,9URD32D11A0700
	800	690	115	648	120	W300192	PC32UD69V800D1A	6,9URD32D11A0800
	900	690	170	972	125	X300193	PC32UD69V900D1A	6,9URD32D11A0900
	1000	690	240	1350	135	Y300194	PC32UD69V10CD1A	6,9URD32D11A1000
33	500	690	19	108	105	S300258	PC33UD69V500D1A	6,9URD33D11A0500
	550	690	27	151	110	T300259	PC33UD69V550D1A	6,9URD33D11A0550
	630	690	40	227	120	V300260	PC33UD69V630D1A	6,9URD33D11A0630
	700	690	55	324	125	W300261	PC33UD69V700D1A	6,9URD33D11A0700
	800	690	95	529	130	X300262	PC33UD69V800D1A	6,9URD33D11A0800
	900	690	135	760	135	Y300263	PC33UD69V900D1A	6,9URD33D11A0900
	1000	690	170	970	155	Z300264	PC33UD69V10CD1A	6,9URD33D11A1000
	1100	690	240	1360	160	A300265	PC33UD69V11CD1A	6,9URD33D11A1100
	1250	690	350	2000	180	B300266	PC33UD66V12CD1A	6,9URD33D11A1250
	1400	690	480	2700	200	C300267	PC33UD69V14CD1A	6,9URD33D11A1400
	1500	600	500		220	H301974	PC33UD60V15CD1A	6URD33D11A1500
1600	600	555	3250	240	Z301437	PC33UD60V16CD1A	6URD33D11A1600	

690/700 Volt PSC Square Body



690 Volt European/IEC Style Ratings and Application Data, DIN 80 Mounting

Body Size	Ampere Rating I_n (A)	Rated Voltage V_n (V) (IEC)	Melting I^2t ($A^2s \times 10^3$)	Total Clearing I^2t @ V_n ($A^2s \times 10^3$)	Watts Loss @ I_n (W)	Reference No.	Catalog No.	Description
30	50	690	0.116	0.68	9	F301926	PC30UD69V50A	6,9URD30D08A0050
	63	690	0.2	1.2	14	E300108	PC30UD69V63A	6,9URD30D08A0063
	80	690	0.33	1.9	19	F300109	PC30UD69V80A	6,9URD30D08A0080
	100	690	0.47	2.7	26	G300110	PC30UD69V100A	6,9URD30D08A0100
	125	690	0.85	4.3	30	H300111	PC30UD69V125A	6,9URD30D08A0125
	160	690	1.6	9.2	37	J300112	PC30UD69V160A	6,9URD30D08A0160
	200	690	3	16.7	43	K300113	PC30UD69V200A	6,9URD30D08A0200
	250	690	5.8	32.4	50	L300114	PC30UD69V250A	6,9URD30D08A0250
	315	690	12	67	55	M300115	PC30UD69V315A	6,9URD30D08A0315
	350	690	15.5	86	60	N300116	PC30UD69V350A	6,9URD30D08A0350
	400	690	23	130	65	P300117	PC30UD69V400A	6,9URD30D08A0400
	450	690	26	165	88	A300403	PC30UD69V450A	6,9URD30D08A0450
	500	690	41	256	88	B300404	PC30UD69V500A	6,9URD30D08A0500
	550	690	52	330	90	C300405	PC30UD69V550A	6,9URD30D08A0550
31	200	690	2.6	14.6	45	Y300010	PC31UD69V200A	6,9URD31D08A0200
	250	690	4.7	27	52	Z300011	PC31UD69V250A	6,9URD31D08A0250
	315	690	7.5	43	65	A300012	PC31UD69V315A	6,9URD31D08A0315
	350	690	10.5	59	67	Q300049	PC31UD69V350A	6,9URD31D08A0350
	400	690	19	110	68	B300013	PC31UD69V400A	6,9URD31D08A0400
	450	690	26.5	150	70	C300014	PC31UD69V450A	6,9URD31D08A0450
	500	690	37	210	72	D300015	PC31UD69V500A	6,9URD31D08A0500
	550	690	52	300	75	E300016	PC31UD69V550A	6,9URD31D08A0550
	630	690	75	421	85	F300017	PC31UD69V630A	6,9URD31D08A0630
	700	690	95	530	95	G300018	PC31UD69V700A	6,9URD31D08A0700
800	690	140	880	120	D300406	PC31UD69V800A	6,9URD31D08A0800	
32	400	690	15	86	75	E300177	PC32UD69V400A	6,9URD32D08A0400
	450	690	22	124	80	F300178	PC32UD69V450A	6,9URD32D08A0450
	500	690	28	157	90	G300179	PC32UD69V500A	6,9URD32D08A0500
	550	690	37	211	95	H300180	PC32UD69V550A	6,9URD32D08A0550
	630	690	54	302	105	J300181	PC32UD69V630A	6,9URD32D08A0630
	700	690	76	432	110	K300182	PC32UD69V700A	6,9URD32D08A0700
	800	690	115	648	120	L300183	PC32UD69V800A	6,9URD32D08A0800
	900	690	170	972	125	M300184	PC32UD69V900A	6,9URD32D08A0900
	1000	690	240	1350	135	N300185	PC32UD69V1000A	6,9URD32D08A1000
	1100	600	270	1450	165	W302101	PC32UD60V1100A	6URD32D08A1100
	1250	550	410	1950	180	G300409	PC32UD50V1250A	5,5URD32D08A1250
33	500	690	19	108	105	G300248	PC33UD69V500A	6,9URD33D08A0500
	550	690	27	151	110	H300249	PC33UD69V550A	6,9URD33D08A0550
	630	690	40	227	120	J300250	PC33UD69V630A	6,9URD33D08A0630
	700	690	55	324	125	K300251	PC33UD69V700A	6,9URD33D08A0700
	800	690	95	529	130	L300252	PC33UD69V800A	6,9URD33D08A0800
	900	690	135	760	135	M300253	PC33UD69V900A	6,9URD33D08A0900
	1000	690	170	970	155	N300254	PC33UD69V1000A	6,9URD33D08A1000
	1100	690	240	1360	160	P300255	PC33UD69V1100A	6,9URD33D08A1100
	1250	690	350	2000	180	Q300256	PC33UD69V1250A	6,9URD33D08A1250
	1400	690	480	2700	200	R300257	PC33UD69V1400A	6,9URD33D08A1400
	1500	600	500		220	M235071	PC33UD60V1500A	6URD33D08A1500
	1600	600	555	3250	240	X301803	PC33UD60V1600A	6URD33D08A1600
	1800	600	720		260	E301971	PC33UD60V1800A	6URD33D08A1800