

# CLASS J 600 Volt Fuse Blocks

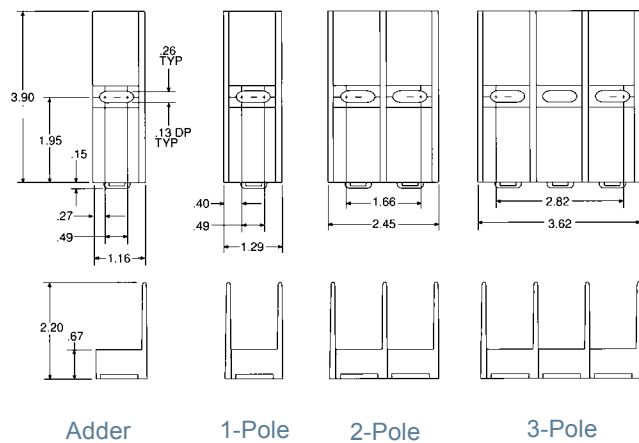
## 600 Volt, 30 & 60 Ampere Class J Fuse Blocks

Ampere Rating	Poles	Connectors		Catalog Number		Connector Torque In - lb
		Types	Wire Range	Non-Spring Reinforced	Spring Reinforced	
30 GFPC Insulator	ADDER	BOX	Al/Cu #2-14	60300J	60305SJ	35
	1			60301J	60306SJ	
	2			60302J	60307SJ	
	3			60303J	60308SJ	
	ADDER	SCREW	Cu* #4-14	60310J	60315SJ	20
	1			60311J	60316SJ	
	2			60312J	60317SJ	
	3			60313J	60318SJ	
	ADDER	PRESSURE PLATE	Cu* #4-14	60320J	60325SJ	20
	1			60321J	60326SJ	
	2			60322J	60327SJ	
	3			60323J	60328SJ	
	ADDER	BOX	Cu* #4-14	-	60355SJ	35
	1			-	60356SJ	
	2			-	60357SJ	
3	-			60358SJ		
60 GFPC Insulator	ADDER	BOX	Al/Cu #2-14	60600J	60605J	45
	1			60601J	60606J	
	2			60602J	60607J	
	3			60603J	60608J	
	ADDER	BOX	Cu* #4-14	-	60655J	45
	1			-	60656J	
	2			-	60657J	
3	-			60658J		

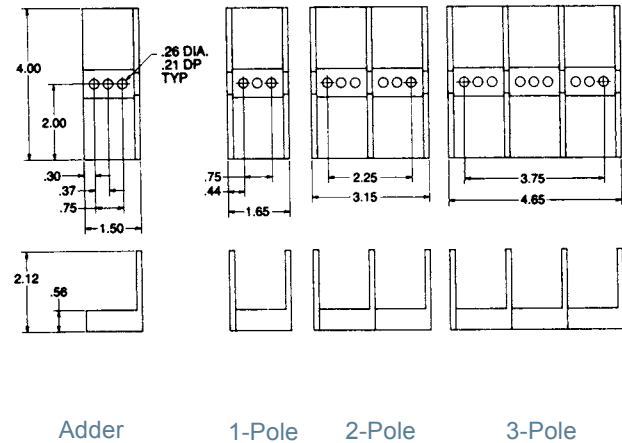
**Note:** To convert 30A "SJ" adder pole to single pole use end barrier cat # U09372. To convert 30A or 60A standard J adder pole to single use pole use end barrier cat # U09617. Recommended mounting screws for all 30A and 60A fuse blocks: 1/4" (0.250" dia).

\*Fuses have copper box connectors and clips and are for copper wires only. These are specifically designed with the same coefficient of expansion as copper wire for improved heat cycling and meet or exceed OEM "no aluminum" specifications.

### Dimensions for 30A Space Saving "SJ" Style Fuse Blocks



### Dimensions for 30A and 60A Standard Class J Style Fuse Blocks

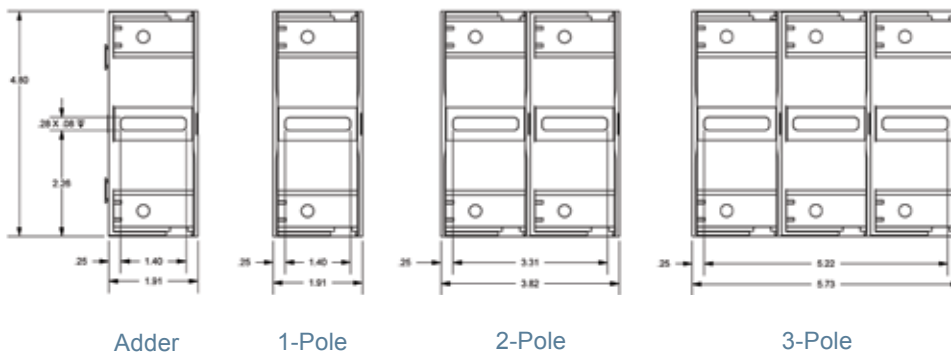


# CLASS J 600 Volt Fuse Blocks

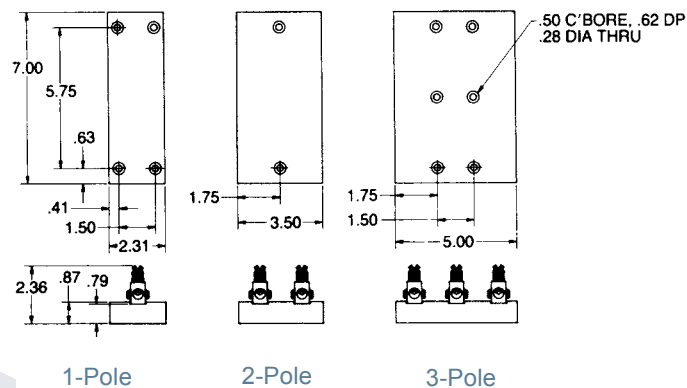
## 600 Volt, 200, 400 & 600 Ampere Class J Fuse Blocks

Ampere Rating	Poles	Connectors		Catalog Number	Connector Torque In - lb
		Type	Wire Range	Spring Reinforced	
100 GFCP Insulator	Adder			61005SJ	
	1	Box	Al/Cu	61006SJ	100 (Al)
	2	Side Clip	2/0-#6	61007SJ	60 (Cu)
	3			61008SJ	
	1	Box	Al/Cu 2/0-#6	61036J	120
	2			61037J	
	3			61038J	
	1	Box	Cu* 2/0-#12	61006J	50
	2			61007J	
3	61008J				

## Dimensions for 100A Space Saving "SJ" Style Fuse Blocks



## Dimensions for 100A Standard Class J Style Fuse Blocks



# CLASS J 600 Volt Fuse Blocks

## 600 Volt, 200, 400 & 600 Ampere Class J Fuse Blocks

Ampere Rating	Poles	Connector		Catalog No.	Fig.	Connector Torque In - lb
		Type	Wire Range			
200 Phenolic Insulator	1	Box	Al/Cu	62001J	1	375
	3	Side-Clip	350kcmil-#6	62003J	2	
	1	Box	Cu**	62051J	1	275
	3	Side-Clip	350kcmil-#6	62053J	2	
400 Phenolic Insulator	1	Box*	Al/Cu	64001J	3	375
	3	Side-Clip	1000-250kcmil	64003J	4	
	1	Box	Al/Cu	64031J	5	275
	3	In-Line Clip	(2) 350kcmil-#4	64033J	6	
	1	Box*	Cu**	64051J	3	375
	3	Side-Clip	1000-250kcmil	64053J	4	
600 Phenolic Insulator	1	Box	Al/Cu	6631J	7	500
	3	In-Line Clip	(2) 500kcmil-#4	6633J	8	
	1	Box	Cu**	6661J	7	375
	3	In-Line Clip	(2) 500kcmil-#4	6663J	8	

\* Not UL Listed or CSA Certified

\*\* Fuse blocks have copper box connectors and clips and are for copper wires only. These are specifically designed with the same coefficient of expansion as copper wire for improved heat cycling and meet or exceed OEM "no aluminum" specifications.

Recommended mounting screws:  
All 200A, 400A & 600A - 5/16" (.313" dia.)

### Dimensions

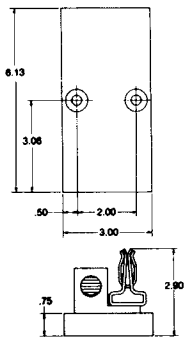


Figure 1

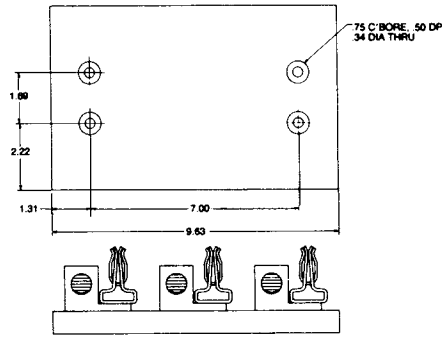


Figure 2

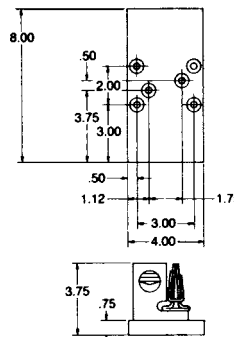


Figure 3

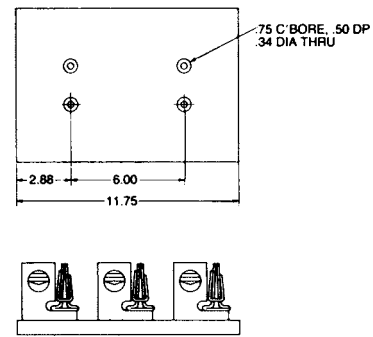


Figure 4

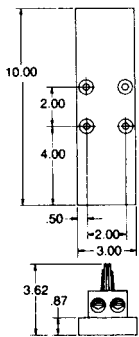


Figure 5

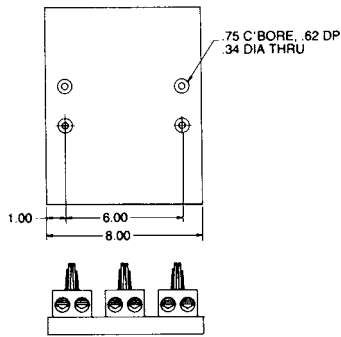


Figure 6

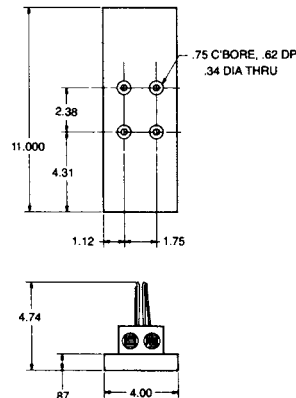


Figure 7

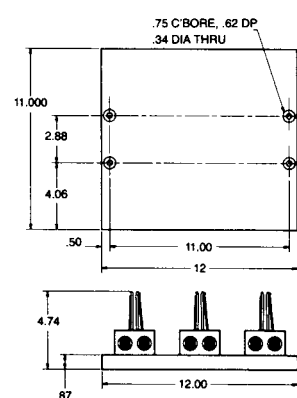


Figure 8

# MIDGET & CLASS CC

## 600 Volt Fuse Blocks

### 600 Volt midget and Class CC fuse blocks

Mersen midget fuse blocks accommodate all 30 ampere 1-1/2" x 13/32" midget fuses. Class CC fuse blocks accommodate all 30 ampere Class CC fuses. A choice of box, screw, or pressure-plate connectors fit a wide range of stranded or solid copper wire. Insulators are glass-filled polycarbonate (GFPC) with verified dielectric strength in excess of 2500V. Fuse blocks feature a unique adder block which can be snapped onto 1-, 2- or 3-pole blocks to form multi-pole segmented blocks of as many poles as desired. All fuse clips are made of high conductivity tin-plated copper alloy.

### Recommended Fuse Usage:

**Midget Fuse Block** use with ATQ, ATM, A6Y-2B, A25Z-2,

TRM, OTM, A15QS-2, GFN, GGU, A60Q-2, DCT

**Class CC Fuse Block** use with ATDR, ATMR, ATQR

### Clip & Connector Types

#### 30A MIDGET/CC

COPPER BOX  
CONNECTOR



SCREW WITH DOUBLE  
QUICK-CONNECTS



PRESSURE PLATE  
WITH DOUBLE QUICK-  
CONNECTS



PRESSURE PLATE WITH  
DOUBLE QUICK-CONNECTS  
(CLASS CC REJECTION END)



### Ratings:

#### Midget Block

**Volts** : 600VAC / DC

**Amps** : 30A Maximum

**SCCR** : 100kA (depending on  
fuse I.R.)

: 10kA (when using quick  
connect terminal)

#### Class CC Block

**Volts** : 600VAC / DC

**Amps** : 30A Maximum

**SCCR** : 200kA

: 10kA (when using quick  
connect terminal)

Temperature/flammability GFPC  
insulators rated 125°C, 94V-0  
flammability.

### Approvals:

All fuse blocks meet the  
requirements of UL 4248

#### Midget Block

- UL recognized component  
guide IZLT2, File E52283
- CSA certified class 6225,  
File 32169

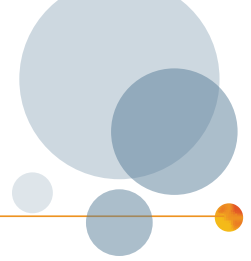
#### Class CC Block

- UL listed, guide IZLT, File  
E52283
- CSA certified class 6225,  
File 32169



# MIDGET & CLASS CC

## 600 Volt Fuse Blocks



### 600 Volt, 30A Midget and Class CC Fuse Blocks

Type	Connector		Poles*	Catalog No.			Torque In - lb	
	Wire Range	Midget		Listing	Class CC	Listing		
Screw w/ double quick connects at both ends	Cu #10-14	ADDER	30310		30310R		20	
		1	30311	UL Rec.	30311R	UL		
		2	30312	&	30312R	&		
		3	30313	CSA	30313R	CSA		
Pressure plate (sems) w/ double quick connects at both ends	Cu #10-14	ADDER	30320		30320R		20	
		1	30321	UL Rec.	30321R	UL		
		2	30322	&	30322R	&		
		3	30323	CSA	30323R	CSA		
Copper box	Cu #6-14	ADDER	30350		30350R		35	
		1	30351	UL Rec.	30351R	UL		
		2	30352	&	30352R	&		
		3	30353	CSA	30353R	CSA		
			4	30354		30354R		

Note: To convert Midget or Class CC adder pole to single pole, use end barrier #U09301.

\* Available in any number of poles. Replace last digit in Catalog Number with number of poles needed.

Example: 303112 is a 12-pole screw/double QC connector Midget Fuse Block. Total width of N poles = (N x .76) + .08 inches. 12 poles = (12 x .76") + .08" = 9.20".

Recommended mounting screws for all Midget and Class CC fuse blocks: #8 (.164" dia.)

### Dimensions

