

Gears & Fuse Gears



American General Purpose Fuses Cylindrical & Blade Fuse Blocks Class H, K & R

CLASS H, K AND R FUSE BLOCKS

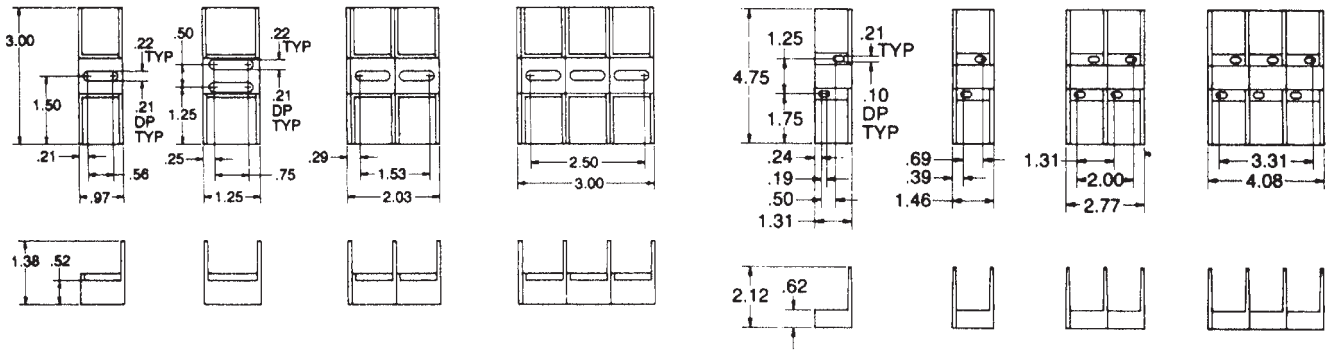


Figure 1 Figure 2 Figure 3 Figure 4 Figure 5 Figure 6 Figure 7 Figure 8

Recommended mounting screws for all 30A and 60A fuse blocks: #10 (.190" dia.)

250 Volt, 30 & 60 Ampere Class H, K and R Fuse Blocks

| Amper Rating | Poles | Connector | | Catalog Number. | | | Reference Number | | | Fig | Connector Torque In - lb |
|-------------------|-------|----------------|----------------|---------------------------------|-----------------------------|---------------------------|---------------------------------|-----------------------------|---------------------------|-----|--------------------------|
| | | Type | Wire Range | Class H&K Non-spring reinforced | Class H&K Spring reinforced | Class R Spring reinforced | Class H&K Non-spring reinforced | Class H&K Spring reinforced | Class R Spring reinforced | | |
| 30 GFPC INSULATOR | ADDER | BOX | Al/Cu #2-14 | 20300 | 20305 | 20305R | Y223282 | E211351 | L211863 | 1 | 35 |
| | | | | 20301* | 20306* | 20306R* | N201101* | Z212381* | T213411* | 2 | |
| | | | | 20302 | 20307 | 20307R | Z201617 | A214429 | C214937 | 3 | |
| | | | | 20303 | 20308 | 20308R | C204702 | F215446 | K215956 | 4 | |
| | ADDER | SCREW | Cu #10-14 | 20310 | 20315 | 20315R | K216462 | V218518 | P219042 | 1 | 20 |
| | | | | 20311* | 20316* | 20316R* | V216977* | E219562* | Z222018* | 2 | |
| | | | | 20312 | 20317 | 20317R | G217494 | K222764 | Z223283 | 3 | |
| | | | | 20313 | 20318 | 20318R | P218007 | P201102 | A201618 | 4 | |
| | ADDER | PRESSURE PLATE | Cu #10-14 | 20320 | 20325 | 20325R | L204710 | Q230520 | A212382 | 1 | 20 |
| | | | | 20321* | 20326* | 20326R* | F211352* | V213412* | N213912* | 2 | |
| | | | | 20322 | 20327 | 20327R | M211864 | F230511 | B214430 | 3 | |
| | | | | 20323 | 20328 | 20328R | E230510 | D214938 | L215957 | 4 | |
| ADDER | BOX | Cu** #4-14 | - | 20355 | 20355R | - | L216463 | W216978 | 1 | 35 | |
| | | | - | 20356* | 20356R* | - | H217495* | Q218008* | 2 | | |
| | | | - | 20357 | 20357R | - | W218519 | Q219043 | 3 | | |
| | | | - | 20358 | 20358R | - | F219563 | A222019 | 4 | | |
| 60 GFPC INSULATOR | ADDER | BOX | Al/Cu #2-14 | 20600 | 20605 | 20605R | L222765 | L204756 | G211353 | 5 | 45 |
| | | | | 20601 | 20606 | 20606R | A223284 | N211865 | B212383 | 6 | |
| | | | | 20602 | 20607 | 20607R | Q201103 | W213413 | P213913 | 7 | |
| | | | | 20603 | 20608 | 20608R | B201619 | C214431 | E214939 | 8 | |
| | ADDER | BOX | Cu** #4-14 | - | 20655 | 20655R | - | B223285 | R201104 | 5 | 45 |
| | | | | - | 20656 | 20656R | - | C201620 | M204757 | 6 | |
| | | | | - | 20657 | 20657R | - | H211354 | P211866 | 7 | |
| | | | | - | 20658 | 20658R | - | C212384 | X213414 | 8 | |

Note: To convert 30A adder pole to single pole, use end barrier #U09322 (R227508). To convert 60A adder pole to single pole, use end barrier #U09365 (V227511).

* 1-pole, 30A block does not accept adder pole.

**Fuse blocks have copper box connectors and clips and are for copper wires only. These are specifically designed with the same coefficient of expansion as copper wire for improved heat cycling and meet or exceed OEM "no aluminum" specifications.