

# Pilot and Signaling Devices

## Heavy-Duty 22.5 mm Watertight/Oiltight Push Buttons

### C-2000

Multi Function

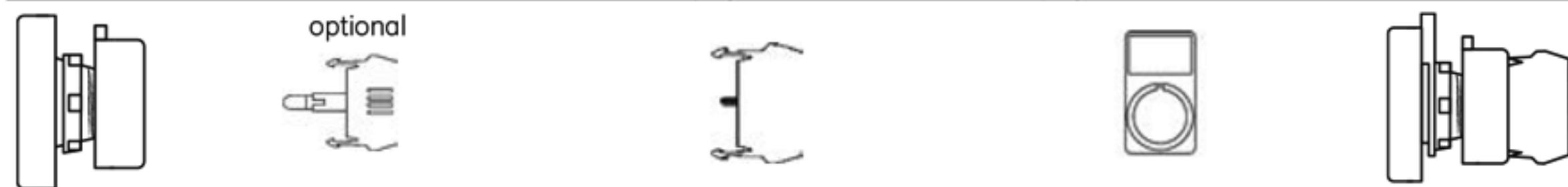
Illuminated

600 VAC Max., 300 VDC Max.

10 Amps Continuous AC, 2.5 Amps Continuous DC

#### Selection Process

Select operator below + Select power supply from pages 9-92 & 9-93 + Select contact block from page 9-93 + Select nameplate, if required, from pages 9-95 to 9-97 = Complete unit



Multi Function Push Buttons

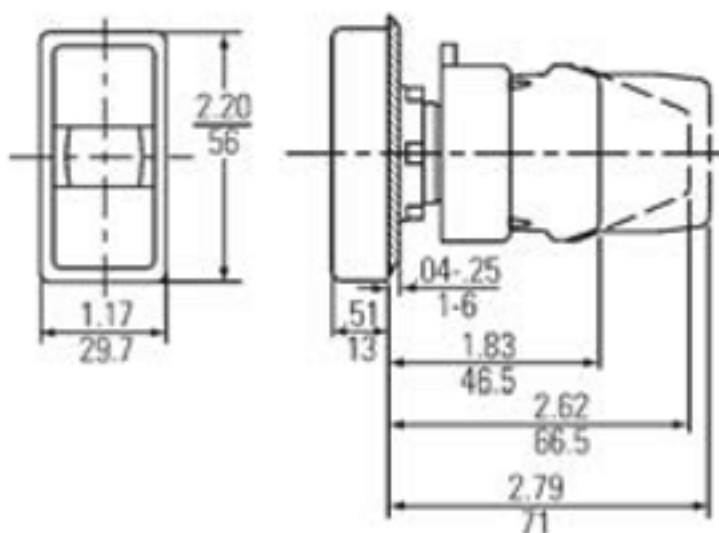
#### NEMA 1 Operators

Color	Special Function Type	Marking	Product Number
Black Top - Red Bottom	Flush	None	P9DPLNRG00
Black Top - Red Bottom	Flush	Top—I, Bottom—O	P9DPLNRG01
Black Top - Red Bottom	Flush Top, Extended Bottom	None	P9DPLNRS00
Black Top - Red Bottom	Flush Top, Extended Bottom	Top—I, Bottom—O	P9DPLNRS01
Green Top - Red Bottom	Flush	None	P9DPLVRG00
Green Top - Red Bottom	Flush	Top—I, Bottom—O	P9DPLVRG01
Green Top - Red Bottom	Flush Top, Extended Bottom	None	P9DPLVRS00
Green Top - Red Bottom	Flush Top, Extended Bottom	Top—I, Bottom—O	P9DPLVRS01

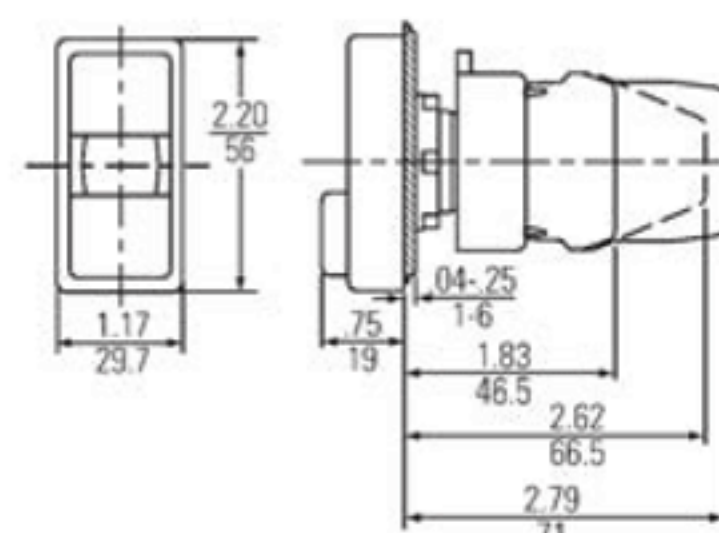
#### Accessories

Description	Operator Type	Product Number
Silicone rubber boot For conversion to NEMA 3, 3R, 3S, 4, 4X, 12 & 13, and IP66	Flush	080CPDT
Silicone rubber boot For conversion to NEMA 3, 3R, 3S, 4, 4X, 12 & 13, and IP66	Flush Top/Extended Bottom	P9ADCST

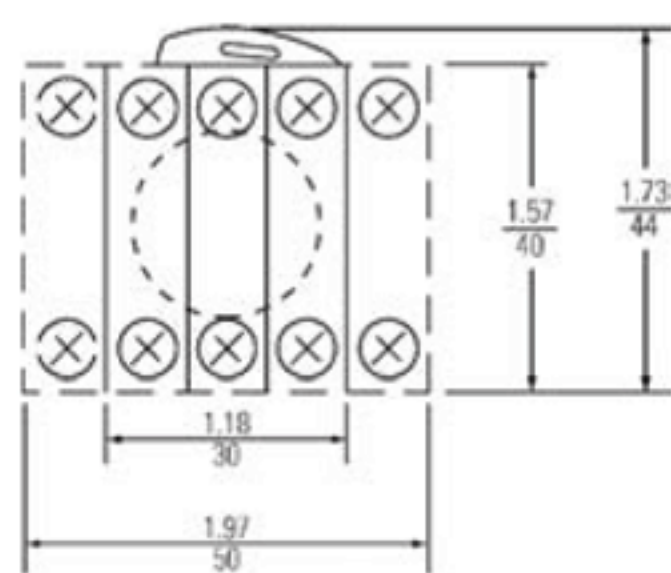
#### Outlines and Dimensions (in./mm) (For Estimating Only)



Double Push Button (Top & Bottom Flush)



Double Push Button (Top Flush & Bottom Extended)



Typical Back Side View



Accessories: See page 9-102 to 9-111  
 Technical Data: See page 9-119 to 9-125