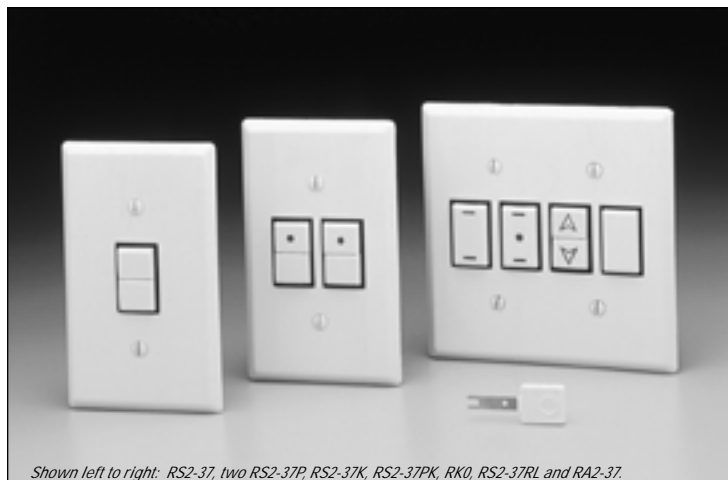


RS Series Momentary Switches

MANUAL OVERRIDE SWITCHES are momentary, single-pole, double-throw devices wired to the relay using standard Class 2 control wiring. The RS2 series switches are designed for installation in mounting straps as shown or snap-in mounting in control panels (.76" x 1.28" rectangular hole required). They are available in three configurations:

1. Unlighted, 2-button
2. Locator lighted 2-button (0.03 amp, 28 VAC lamp)*
3. Pilot lighted 2-button, red dot "ON" (0.04 amp, 28 VAC lamp)*

For fast, trouble-free wiring, each switch is supplied with five 0.187" quick disconnect terminals. Matching blank fillers and pilot lighted blanks are also available.



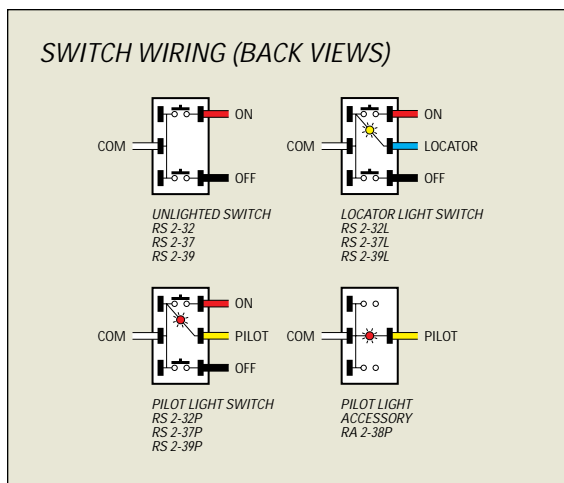
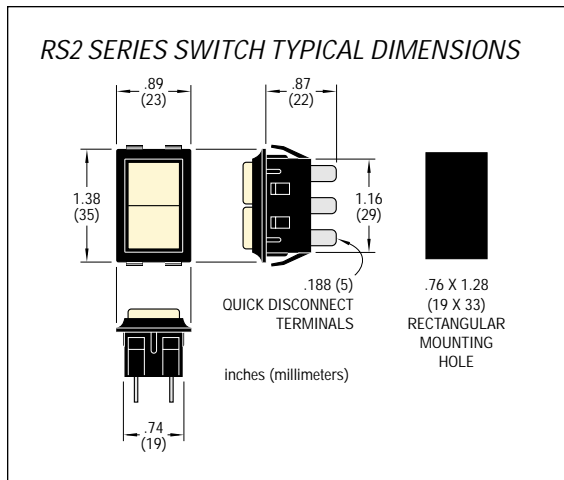
Shown left to right: RS2-37, two RS2-37P, RS2-37K, RS2-37PK, RK0, RS2-37RL and RA2-37.

Catalog # Standard	Catalog # Key-operated*	Description	Button/Face Color (all have black collar)
RS2-32	RS2-32K	Unlighted	Ivory
RS2-37	RS2-37K	Unlighted	White
RS2-39	RS2-39K	Unlighted	Gray
RS2-32L	RS2-32LK	Locator Light	Ivory
RS2-37L	RS2-37LK	Locator Light	White
RS2-39L	RS2-39LK	Locator Light	Gray
RS2-32P	RS2-32PK	Pilot Light	Ivory/Red Dot
RS2-37P	RS2-37PK	Pilot Light	White/Red Dot
RS2-38P		Pilot Light	Red/Black Dot
RS2-38PA		Pilot Light	Clear Red
RS2-39P	RS2-39PK	Pilot Light	Gray/Red Dot
RS2-32RL	RS2-32RLK	Raise/Lower	Ivory/Red Arrows
RS2-37RL	RS2-37RLK	Raise/Lower	White/Red Arrows
RS2-39RL	RS2-39RLK	Raise/Lower	Gray/Red Arrows
RK0		Replacement Key for K-suffix switches	
RA2-32		Blank Filler	Ivory Face
RA2-37		Blank Filler	White Face
RA2-39		Blank Filler	Gray Face
RA2-38P		Pilot Light Blank	Red Lens

*Key operated switches are supplied with 2 RK0 keys.

For heavy-duty conventional-style toggle switches, see page 15.

* NOTE: Lamps are rated at 50,000 hours when using half-wave rectified power supply. Lamps are NOT replaceable.



Switches