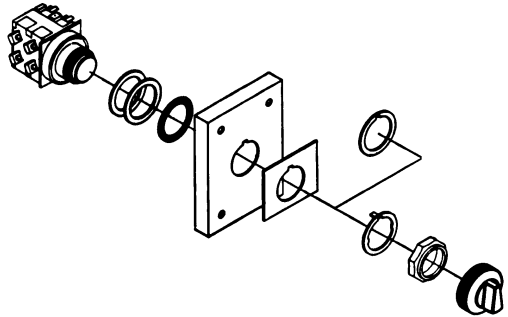
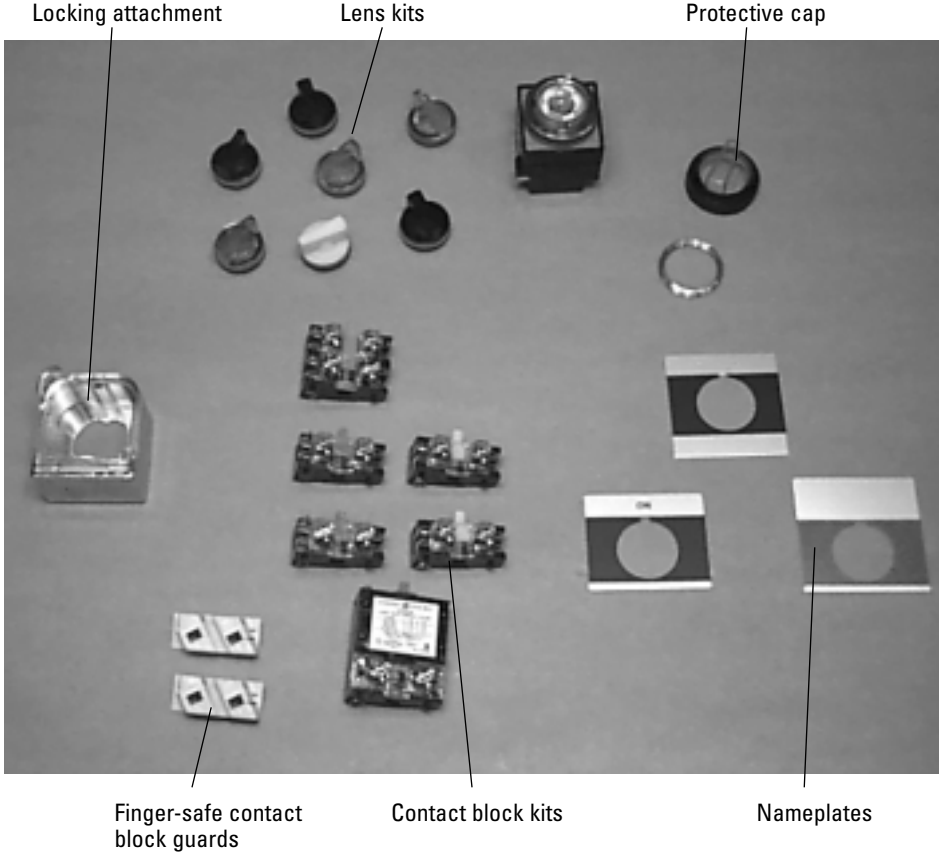


Illuminated Selector Switches, 2-position

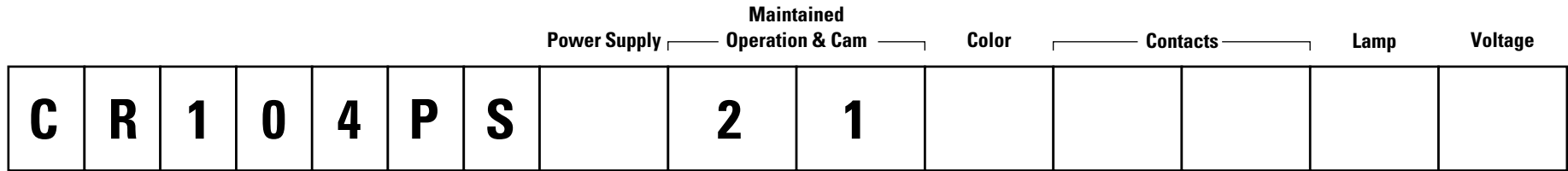


- Knob**
 - Interchangeable design
 - 6 colors: red, green, yellow, blue, amber, white + clear
- Lamp**
 - Incandescent, LED, neon
- Operator With Cam**
 - 2-position forms
 - Multiple cam configurations allow optimum versatility
 - Maintained and spring return forms
- Power Supply**
 - 3 types: full voltage, transformer, resistor
- Contact Blocks**
 - Color coded for quick installation
 - Maximum of 4 single or 2 double contact blocks
 - Visible contacts for easy, accurate inspections
 - Special applications: gold flashed, reed switch

Accessories



Illuminated Selector Switches, 2-position



L = Full voltage
T = Transformer

A = None
C = Clear
E = Yellow
G = Green
L = Blue
M = Amber
R = Red
W = White

00 = None
01 = 1NC
10 = 1NO
11 = 1NO/1NC
22 = 2NO/2NC

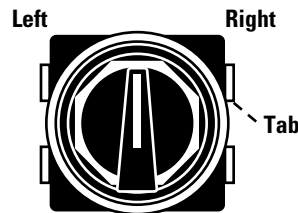
L = LED
S = Standard

2 = 120V
3 = 240V
4 = 480V
5 = 600V
6 = 6V
7 = 12V
8 = 24V

Operation & Cam

Operation	Operator Position		Type Of Contact	Contact Mounting Position
	Left ↖	Right ↗		
Maintained(21)	X 0	0 X	NC NO	Left or Right Left or Right

Tip for Quick Service: For small quantities, order selector switch without lens; order lenses E, G, L, M or R; and contact blocks separately.



Always view left-right facing operator

Available Combinations

Power Supply & Lamp	Lens Color Code	Voltage						
		6	12	24	120	240	480	600
Full Voltage	All	■	■	■	■			
Full Voltage LED	E,G,M,R	■	■	■	■			
Transformer	All				■	■	■	■
Transformer LED	E,G,M,R				■	■	■	■
Resistor	All				■	■		
Neon	R,W,C				■			

Technical Data

General specifications

Standards & approvals	UL Listed - File Number E2403 CSA Certified - LR15492, Class 321103 NEMA - ICS2 - 1988 IEC 947.5.1 VDE 0660		
Enclosure ratings	All units are suitable for use in NEMA Type 1, 3, 3R, 3S, 4, 4X, 12 and 13 applications when mounted in enclosures rated for those same applications. For some NEMA 4X applications, protective caps will provide improved corrosion resistance.		
Finger protection at terminals	IP2X according to IEC 529 Terminal identification per CENELEC EN 50013		
Temperature range	<u>Operating</u> -25° to +70° C -13° to +158° F	<u>Storage</u> -40° to +70° C -40° to 158° F	
Climate suitability/humidity	<u>Climate Type</u> Temperate Wet Hot Wet Variable Wet	<u>Temperature</u> 74°F (23°C) 74°F (23°C) 104°F (40°C) 74°-104v F (23° to 40° C)	<u>Relative Humidity</u> 50% 83% 92% 83%-92%
Shock and vibration	Resistance to shock - 50g, 11ms Frequency range - 1-100 Hz Vibration amplitude - 1-13.2 Hz - displacement ±1mm 13.2-100 Hz - acceleration ±0.7g		
Operating force		Standard recessed <u>push buttons</u>	Standard flush <u>push buttons</u>
	Without contact blocks	1.625 lbf	2.5 lbf
	With 1NO contact block	2.5 lbf	2.875 lbf
	With 2 NO contact blocks	3.5 lbf	3.5 lbf
	With 3 NO contact blocks	4.0 lbf	4.375 lbf
Wire size	22-12 AWG stranded or solid copper wire		
Torque requirements	Terminal screws: 10-14 in-lbs Contact block mounting screws: 10-14 in-lbs		

Technical Data

Contacts

Electrical reliability data	With indicating light loads, tested for 5,000,000 operations at 40mA and 115V resistive loads with no failures observed.		
Electrical characteristics	<u>Characteristic</u>	<u>Value</u>	
	Thermal current	10A per IEC 947-5-1	
	Insulation voltage	Ui = 660V AC/DC	
	Protection from electrical shock	Class I per IEC 536 for metal operators; Class II (double insulation) per IEC 536 for plastic operators	
	Insulation category	Group C per VDE 0110	
	Dielectric strength	2500V	
	Short circuit protection	10A time delay fuse gG per IEC 269.1 & 269.3	
Finger safe terminals	Available for silver and gold single contact blocks, as components and as assembled versions.		
Contact characteristics	NC: slow make, double break (positive opening) NO: slow make, double break Opposite polarity Self-cleaning below 300 volts NO and NC snap action (for use on joysticks)		
AC ratings, NEMA A600 Heavy Pilot Duty	Maximum AC voltage	Continuous current amperes	AC voltamperes @ 60/50 Hz ¹
			Make Break
	600	10	7200 720
	¹ Maximum make and break currents are 60 and 6 amperes respectively for voltages of 120 and below.		
DC ratings, NEMA P600	Maximum make or break amperes		
	125V	250V	600V
	1.1	0.55	0.2
Reed switch block ratings		AC ratings	DC ratings
	Operating voltage	2-120 VAC	2-30 VDC
	Continuous current (maximum)	.001-.15 A	.001-.15 A
	Resistive, watts (VA)	8 VA maximum	4.5 VA maximum
Power supply resistor values	<u>Input</u>	<u>Resistor value</u>	
	120V AC/DC	750 ohms ±5%, 5 watts, 2 resistors in series	
	240V AC/DC	2700 ohms ±5%, 5 watts, 2 resistors in series	